

(12) **UK Patent Application** (19) **GB** (11) **2 409 515** (13) **A**

(43) Date of A Publication **29.06.2005**

(21) Application No: **0330055.5**  
(22) Date of Filing: **24.12.2003**

(71) Applicant(s):  
**Nokia Corporation**  
**(Incorporated in Finland)**  
**Keilalahdentie 4, 03260 Espoo, Finland**

(72) Inventor(s):  
**Phil Barrowclough**

(74) Agent and/or Address for Service:  
**Page White & Farrer**  
**54 Doughty Street, LONDON, WC1N 2LS,**  
**United Kingdom**

(51) INT CL<sup>7</sup>:  
**G02B 26/08 // G02F 1/315 , H01H 25/00**

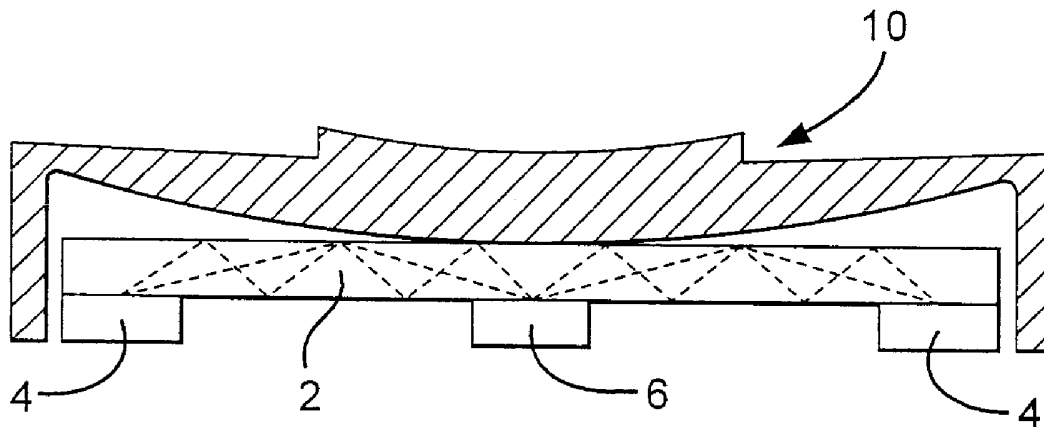
(52) UK CL (Edition X ):  
**G1A AA3 AMRP AR6 AR7**  
**G2F FCW F28W**

(56) Documents Cited:  
**US 6642913 B1** **US 6154586 A**  
**US 6028978 A**

(58) Field of Search:  
UK CL (Edition W ) **G1A, G2F**  
INT CL<sup>7</sup> **G02B, G02F, H01H**  
Other: **Online: WPI, EPODOC, PAJ**

(54) Abstract Title: **Analogue navigation device utilising differing refractive indices**

(57) A control device, such as an analogue navigation disk or a button, comprises an optical transmitter 4 an optical detector 6, a light guide 2 having a surface for internally reflecting a proportion of the light signal from the transmitter to the detector and an actuator 10 which may be made of silicone. At least a portion of the actuator surface is moveable between a first position in which it is not in contact with a surface of the light guide, there being a fluid in the intermediate space, and a second position in which it is in contact with the surface of the light guide. The light guide is made of a material having a higher refractive index than the actuator surface and the actuator surface has a different refractive index to the fluid. In use the reflected light signal received by the detector is different when the actuator surface is in contact with the light guide to when it is not in contact.



**Fig.7**

**GB 2 409 515 A**

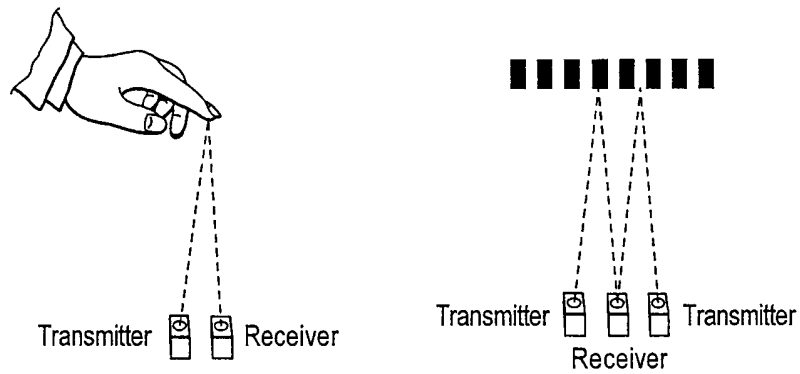


Fig.1

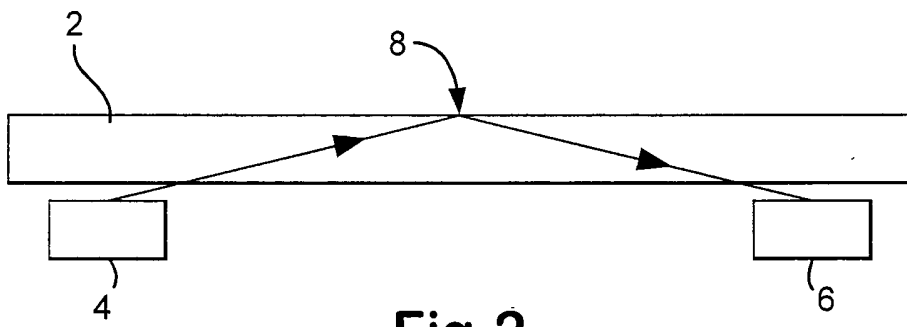


Fig.2

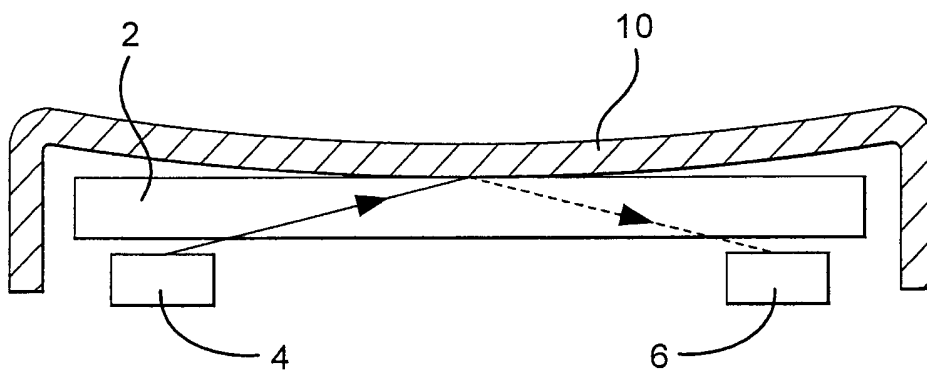
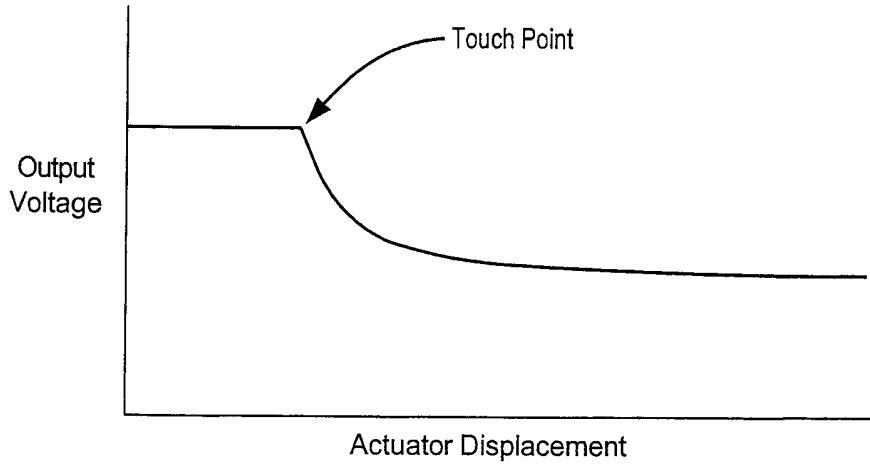
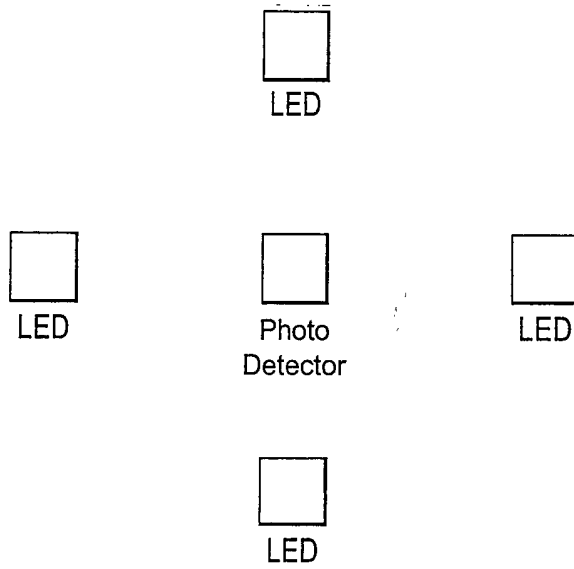


Fig.3

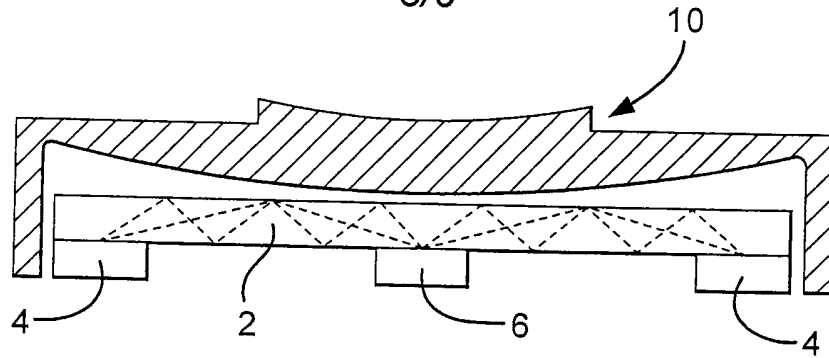


**Fig.4**

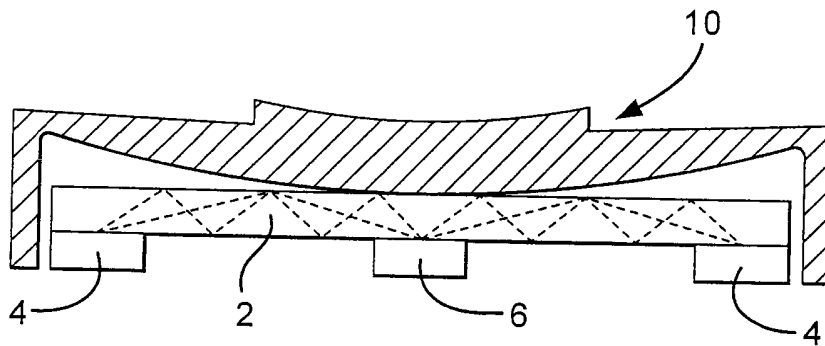


**Fig.5**

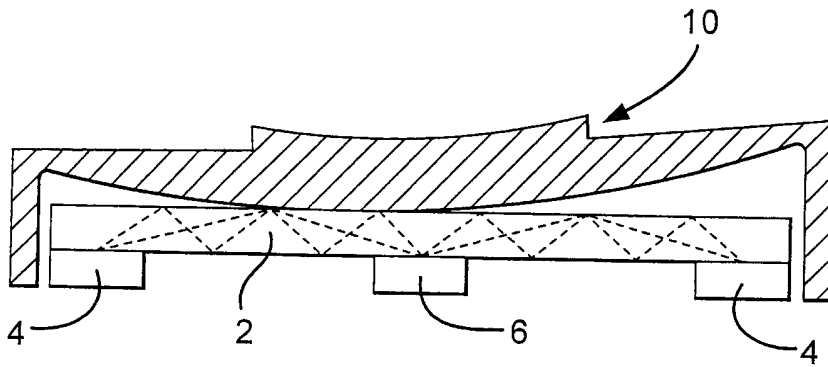
3/6



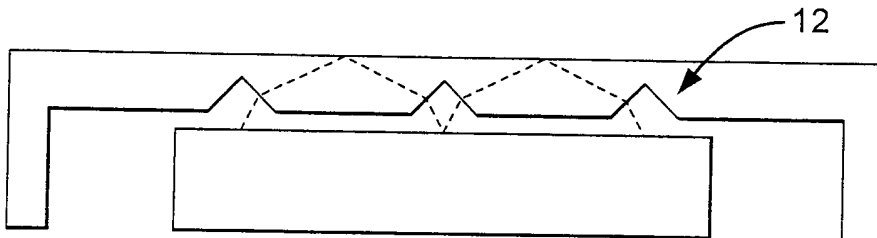
**Fig. 6**



**Fig. 7**



**Fig. 8**



**Fig. 9**

4/6

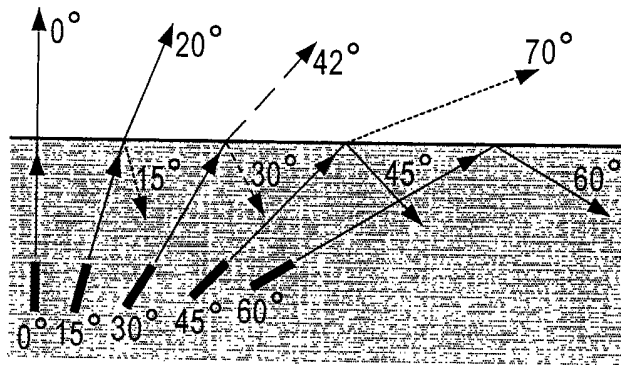


Fig.10

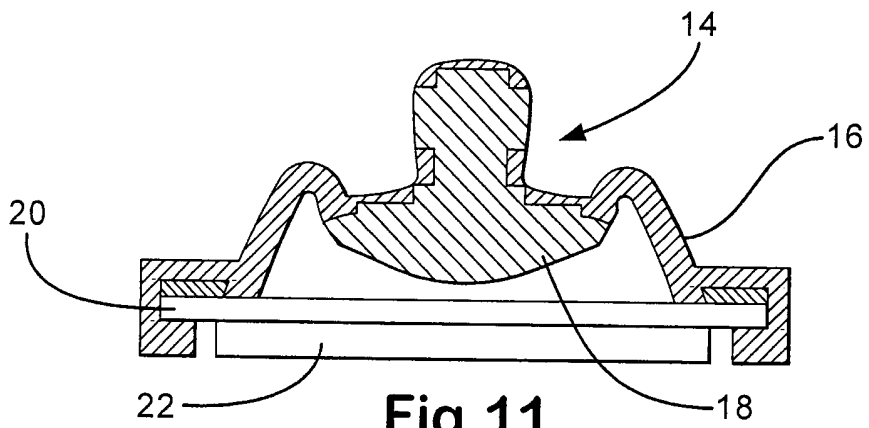


Fig.11

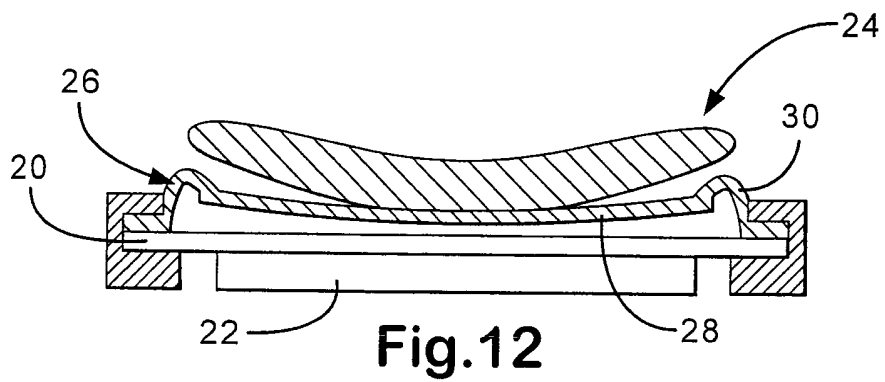
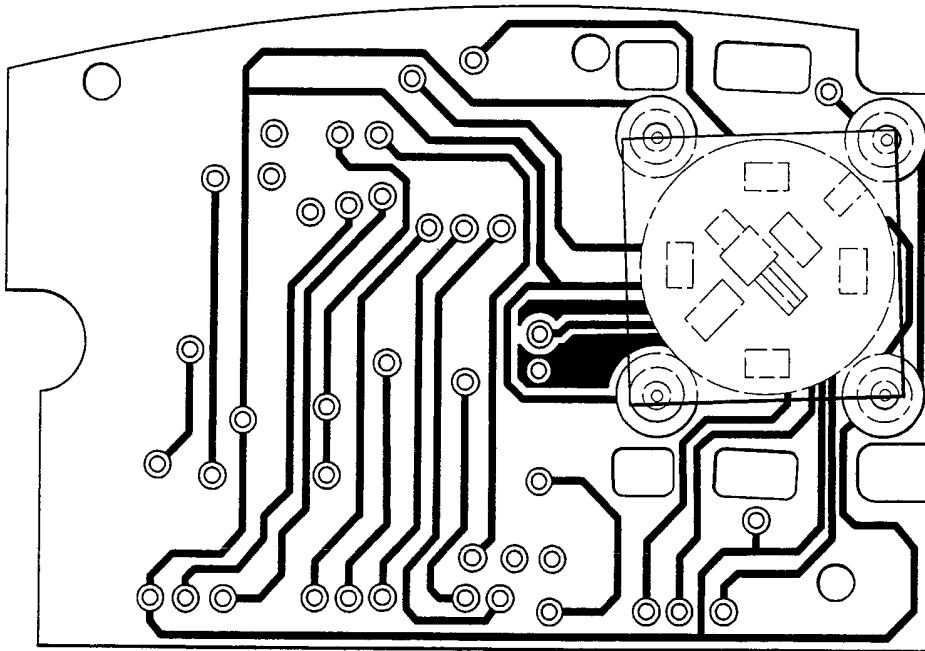
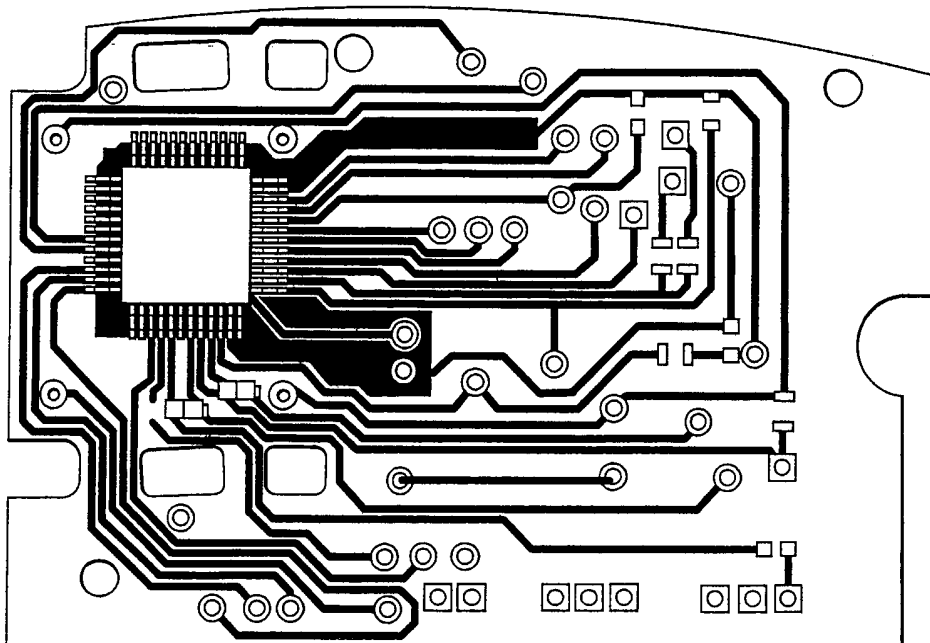


Fig.12

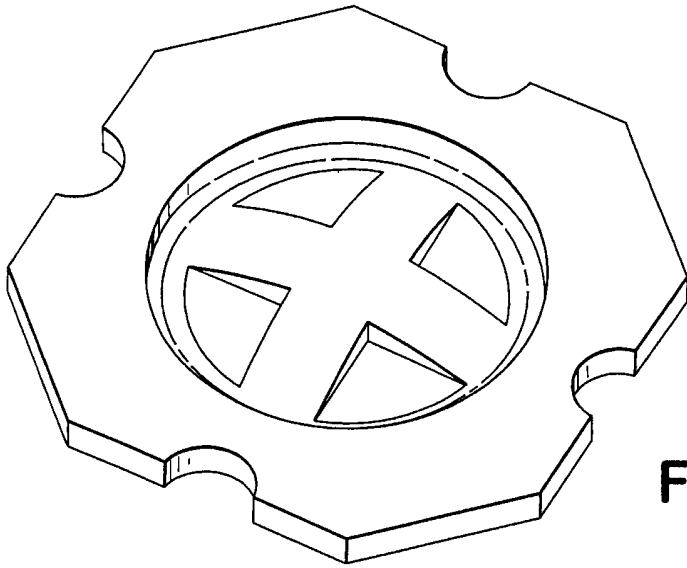


32 → **Fig.13**

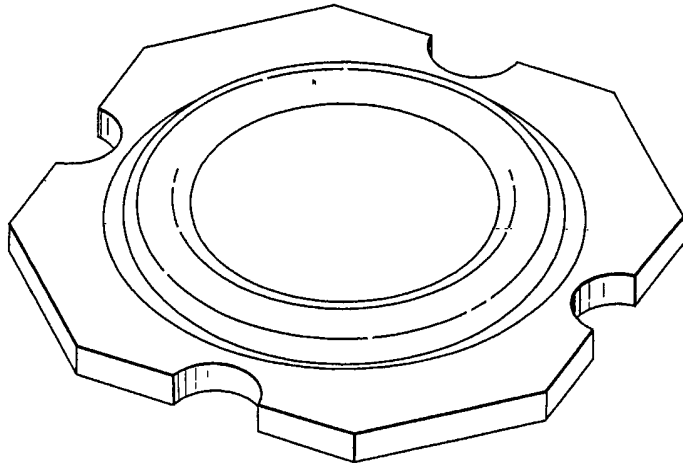


32 → **Fig.14**

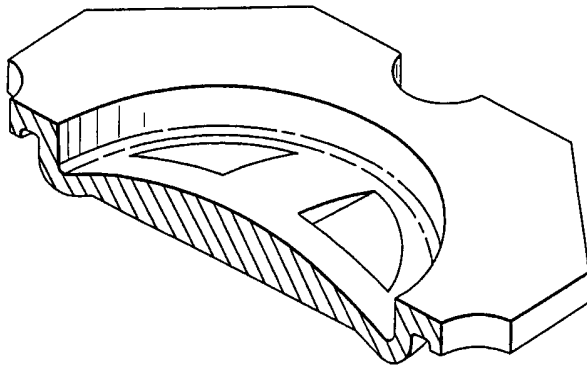
6/6



**Fig.15**



**Fig.16**



**Fig.17**

## ANALOGUE NAVIGATION DEVICE

### 5 Field of Invention

The present invention relates to an analogue navigation device. Particularly, but not exclusively, the present invention relates to an analogue navigation device for use in a mobile electronic device.

10

### Background of the Invention

Analogue navigation devices are utilised in a number of different types of mobile product with applications such as: pointing, navigating and selecting (e.g. 15 browsing on web pages); drawing sketches; marking maps with lines; game play; radio controlled devices; and editing and manipulating pictures

Known analogue navigation devices include joysticks, touchpads, mice (ball and optical types), arrow keys, navigating disks (arrowed disks) etc. The technologies 20 used in these known analogue navigation devices include the Hall Effect (magnetic), resistive plates (touchpad technology), resistive material (carbon impregnated silicone), capacitive pads and optical solutions. Previous optical solutions are reflective only. Figure 1 illustrates the principle behind previous optical solutions. In these arrangements, an object (e.g. a users finger) or a 25 pattern reflects transmitted light to a sensor/receiver. The amount of light reflected by the object is a function of the distance from the transmitter. With illustrated pattern, the amount of light reflected back is a function of the colour.

Problems with the above-mentioned known analogue navigation devices are: high 30 cost; high power; large size (in particular the devices can be of too large a height to incorporate in mobile devices); and the devices may not be durable enough for integration into mobile products.



### Summary of the Invention

5 An aim of the embodiments described hereinafter is to solve the problems defined above.

10 According to the present invention there is provided an analogue navigation device comprising a transmitter for generating a light signal, a receiver for receiving the light signal, a light guide having a surface for internally reflecting the light signal from the transmitter to the receiver, and an actuator having a surface, said actuator surface having at least a portion which is movable between a first position in which it is spaced apart from a portion of said light guide surface with a gas or fluid therebetween, and a second position in which it is in contact with said portion of said light guide surface, said portion of said light guide surface having a higher refractive index than said portion of said actuator surface and said portion of said actuator surface having a different refractive index than said gas or fluid, whereby in use the relative refractive index is changed at the contacted portion of the light guide surface thereby altering the light signal received by the receiver.

20 According to another aspect of the present invention there is provided a hand held electronic device comprising an analogue navigation device as defined above.

25 According to another aspect of the present invention there is provided a method of navigating comprising generating a light signal and reflecting the light signal off a surface, wherein the relative refractive index between materials on either side of the surface is changed thereby altering the reflected light signal, said reflected light signal being received and used to control the position of an element.

30 According to another aspect of the present invention there is provided a key device comprising a transmitter for generating a light signal, a receiver for receiving the light signal, a light guide having a surface for internally reflecting the

light signal from the transmitter to the receiver, and an actuator having a surface, said actuator surface having at least a portion which is movable between a first position in which it is spaced apart from a portion of said light guide surface with a gas or fluid therebetween, and a second position in which it is in contact with said  
5 portion of said light guide surface, said portion of said light guide surface having a higher refractive index than said portion of said actuator surface and said portion of said actuator surface having a different refractive index than said gas or fluid, whereby in use the relative refractive index is changed at the contacted portion of the light guide surface thereby altering the light signal received by the receiver.

10

Embodiments of the present invention use known optical properties of a light guide to internally reflect light. Embodiments of the present invention differ from previous implementations in that they use an actuator (e.g. a silicone rubber actuator) in conjunction with the light guide to alter the relative refractive index of  
15 the light guide and the substance forming an interface with the light guide thereby altering the reflective properties of the light guide.

Embodiments of the present invention solve the above-identified problems by providing a low-cost, low-power, small size, durable navigation device suitable for  
20 integration into mobile products. While previous optical solutions for analogue navigation utilise reflective techniques, embodiments of the present invention rely on changing the refractive index of a light guide. Embodiments of the present invention may work using standard IR and visible LEDs. A preferred embodiment uses HALIOS (high ambient light independent optical system) technology.

25

Embodiments of the present invention have an advantage over prior arrangements in that embodiments of the present invention use non-contact sensing thus increasing the durability of the device. That is, embodiments of the present invention function by contacting the surface of the light guide with the  
30 actuator and the sensor (receiver) is not contacted. This is in contrast to some other technologies in which the sensor is contacted in use thus damaging the

sensor over time. For example, resistive touchpads function by contacting the surface of the element doing the sensing.

Embodiments of the present invention can also be made waterproof and use little power. Accordingly, embodiments of the present invention are ideal for utilisation  
5 in mobile products.

#### Brief Description of the Drawings

10 For a better understanding of the present invention and to show how the same may be carried into effect, reference will now be made by way of example to the accompanying drawings, in which:

15 Figure 1 illustrates the principle behind prior art optical solutions;

Figure 2 shows a side view of a light guide reflecting light from a transmitter (an LED) to a receiver (a photo detector);

Figure 3 shows the light guide of Figure 2 with an actuator touching the surface of the light guide;

20 Figure 4 shows a graph indicating how the output voltage from the photodetector in Figures 2 and 3 decreases in size when the actuator touches the light guide surface;

Figure 5 shows a plan view of an arrangement of LEDs and a photodetector in an optical analogue navigation device according to an  
25 embodiment of the present invention;

Figure 6 shows a side view of the embodiment of Figure 5 comprising a light guide, an actuator having a hemispherical surface, a plurality of transmitters (LEDs) and a receiver (photodetector);

Figure 7 shows the embodiment of Figures 5 and 6 with the hemispherical  
30 surface of the actuator contacting the light guide surface;

Figure 8 shows the embodiment of Figures 5 to 7 with the actuator displaced to one side;

Figure 9 shows another embodiment in which an optical grating has been provided on the light guide thereby increasing the efficiency of the system;

Figure 10 illustrates how a light guide may function to change the angle of incidence and the resultant effect on the amount of light refracted and internally reflected;

Figure 11 is a side view of an optical analogue joystick according to an embodiment of the present invention;

Figure 12 is a side view of an optical analogue navigating disk according to another embodiment of the present invention;

Figure 13 is a top side view of a printed wiring board for use with embodiments of the present invention;

Figure 14 is a bottom side view of the printed wiring board shown in Figure 13;

Figure 15 shows a bottom-side view of an alternative actuator form according to an embodiment of the present invention;

Figure 16 shows a top-side view of the actuator in Figure 15; and

Figure 17 shows a cross-sectional view from the bottom-side of the actuator shown in Figures 15 and 16.

## 20 Detailed Description of the Embodiments of the Invention

The principles of the present invention will now be described with reference to Figures 2 to 4.

25 Figure 2 shows how a light guide 2 can be used to reflect light from a transmitter or transmitter 4 (e.g. an infrared or visible LED) to a receiver 6 (e.g. a photo detector). The absolute refractive index of the light guide ( $n_1$ ) is greater than the absolute refractive index of the air above it ( $n_2$ ). The critical angle ( $\theta_c$ ) for total internal reflection can be found from Snell's law, putting in an angle of  $90^\circ$  for the  
30 angle of the refracted ray. This gives:  $\sin \theta_c = n_2/n_1$ , where  $n_1 > n_2$ . The greater the difference between  $n_1$  and  $n_2$  (i.e. the smaller the relative refractive index  $n^* =$

$n_2/n_1$ ), the smaller the critical angle resulting in more light striking a surface portion 8 at an angle greater than  $\theta_c$  and being internally reflected.

Figure 3 shows how the effect of touching an actuator 10 on the surface of the light guide 2 reduces the signal to the receiver 6. The absolute refractive index of the material of the actuator is larger than the absolute refractive index of air. Accordingly, the relative refractive index  $n^*$  is increased and the critical angle increases changing the reflective properties of the light guide. Without the actuator in contact with the light guide there is a large difference between the refractive index of the light guide and the air resulting in the majority of the light being internally reflected within the light guide. When the actuator touches the surface of the light guide there is a much closer match between the refractive index of the actuator and the light guide and so much less light is internally reflected and the received output signal is significantly reduced. Figure 4 shows how the output voltage from the photodetector decreases when the actuator touches the light guide surface.

An embodiment of the present invention will now be described with reference to Figures 5 to 8.

Figure 5 shows how LEDs and a photodetector can be laid out to produce a navigation device. Opposing LEDs are pulsed alternatively and the photodetector measures the internal reflection level from the light guide.

Figure 6 shows how an actuator 10 with a hemispherical surface can be positioned above the light guide 2 but not in contact with it. Air is disposed between the actuator and the light guide although some other gas/fluid other than air may be utilized. The actuator is made of a material (e.g. silicone) which has an absolute refractive index higher than air (or other gas/fluid) but lower than the refractive index of the light guide. The actuator is movable between a position in which it is separated from the light guide (shown in Figure 6) to a position in which it is directly adjacent the upper surface of the light guide or in contact with the light

guide. The actuator may be rigid and movable between the first and second positions via a moving mechanism such as a hinging mechanism. Alternatively, the actuator may be made of a deformable material so as to be movable between the first position and the second position. The actuator is biased towards the first position so that when the actuator is not depressed by a user it automatically moves to the first position. In one embodiment the actuator is made of silicone rubber.

Figure 7 shows how touching the actuator causes the hemispherical surface to contact the light guide surface. With the actuator in the second position, the relative refractive index is increased and the amount of reflected light is decreased. As a result, the output voltage from the photodetector decreases.

Figure 8 shows how rocking the actuator button, as during cursor navigation, causes the hemispherical surface to roll along the light guide surface. The subsequent reduction in the amount of light internally reflected by the waveguide from the relevant LED or LEDs is then used to calculate the position of the area touching the surface. This in turn is used to calculate and control the position of an object (e.g. on a display). In addition to this, when using a deformable material for the actuator, varying the amount of pressure used to navigate alters the size of the area in contact with the light guide again reducing the amount of light internally reflected by the light guide. This system is therefore pressure sensitive. The sensitivity to pressure will depend on the type of material used for the actuator with harder materials being less pressure sensitive and softer materials being more pressure sensitive. The type of material for the actuator may therefore be selected according to the particular implementation according to how sensitive to pressure the device is intended to be. Alternatively, it may be possible to vary the pressure sensitivity within a single device. In this case, if the user wishes the device to have no pressure sensitivity, a setting may be selected such that a controller processes the information from the photodetector in such a way as to calculate the centre point of the area touching the light guide surface and control the position of an object (e.g. on a display) according to this middle

point of contact. Alternatively, selecting a pressure sensitive setting may result in the device functioning such that, for example, when a larger area contacts the light guide as a result of an increase in pressure applied to the actuator, the speed of an object on a display controlled by the device increases. Thus, for example, when a user pushes the actuator to the left the object on the display moves to the left. If the user increases the pressure, the contact area increases and the object on the display moves to the left more quickly in response.

In an alternative arrangement to that described above with reference to Figures 6 to 8, the first position (i.e. the rest position) may be defined as that shown in Figure 7 such that in its un-actuated/rest state the actuator contacts the light guide at, for example, its central position and by rocking the actuator as shown in figure 8, the position of an object is calculated and controlled. This alternative arrangement negates the need to depress the actuator. The actuator is in contact with the light guide at all times (although a portion of the actuator is still movable from a position spaced apart from the light guide to a position in contact with the light guide). This may improve user function and increase reaction time in, for example, game play.

Figure 9 shows an alternative embodiment in which an optical grating 12 has been provided on the light guide so as to increase the efficiency of the system. Providing a grating on to the light guide changes the effective angle of incidence allowing more internal reflection. Figure 10 illustrates how a light guide may function to change the angle of incidence and the resultant effect on the amount of light refracted and internally reflected. As the angle of incidence increases the amount of refracted light passing through the interface decreases, and the amount of light being internally reflected increases until all the light is internally reflected. Accordingly, a light guide can be provided to increase the effective angle of incidence thus increasing the amount of light internally reflected to the sensor/receiver and increasing the efficiency of the system.

Figure 11 shows an optical analogue joystick which functions in the  
aforementioned manner and comprises an actuator element having an upper  
portion in the form of a stick 14 for actuation by a user. The actuator element has  
side walls 16 supporting the stick portion. The side walls are deformable thereby  
5 allowing the stick portion to be movable both up and down and from side to side.  
The actuator element has a lower portion 18 comprising a substantially  
hemispherical surface for contacting a light distribution layer 20 (light guide), an  
upper surface of which is disposed adjacent, and spaced apart from, the  
hemispherical surface. On actuation of the stick portion 14 by a user, the side  
10 walls deform 16 and the hemispherical surface contacts the upper surface of the  
light distribution layer. An optical component layer 22 is disposed at a lower side  
of the light distribution layer, said lower side being opposite to said upper side.  
The optical component layer comprises emitter(s) and receiver(s) for emitting light  
into the light distribution layer and receiving light from the distribution layer  
15 respectively.

Figure 12 shows an alternative arrangement in which the actuator element is in  
the form of a knob or disk 24. The knob/disk 24 is disposed on a deformable  
element 26 having an intermediate portion 28 which is supported by side walls 30.  
20 At least one of the side walls and the intermediate portion are deformable.  
Preferably both the side walls and the intermediate portion are deformable. The  
intermediate portion has a lower surface for contacting a light distribution layer 20  
(light guide), an upper surface of which is disposed adjacent, and spaced apart  
from, the lower surface. On actuation of the disk/knob by a user, the deformable  
25 element deforms and the lower surface contacts the upper surface of the light  
distribution layer. An optical component layer 22 is disposed at a lower side of the  
light distribution layer, said lower side being opposite to said upper side. The  
optical component layer comprises emitter(s) and receiver(s) for emitting light into  
the light distribution layer and receiving light from the distribution layer  
30 respectively.



Figures 13 and 14 show top and bottom side views respectively of a printed wiring board for used in the previously described optical analogue navigation devices. The printed wiring board 32 comprises optical elements with discrete optical components and preferably has a height of 1.6 mm or less, more preferably 5 1.3mm or less, and more preferably still 1.1mm or less. The area of the printed wiring board is preferably 20mm x 20mm or less, more preferably 15mm x 15mm, and more preferably still 12mm x 12mm or less. Accordingly, a very small, very slim optical device is provided for use in a mobile product.

10 Figure 15 shows a bottom-side view and Figure 16 shows a top-side view of an alternative actuator form according to an embodiment of the present invention. Figure 17 shows a cross-sectional view from the bottom-side of the embodiment shown in Figures 15 and 16. In this embodiment, the hemispherical surface of the actuator has a cross shape cut therein which may improve accuracy. In 15 alternative embodiments, the actuator shape may be other than hemispherical e.g. ellipsoid, paraboloid, hyperboloid, toroid, etc...

According to another aspect of the present invention, the principles discussed above in relation to an analogue navigation device may be applied to a key device 20 such as a keypad of a phone, a keyboard or buttons/keys on a game device. Such a device may comprise a key as the actuator or may comprise a key and a separate actuator disposed below the key. A light guide is provided below the key/actuator and the actuation of a key results in a change in the relative refractive index as discussed in relation to the navigation devices. In a device 25 having a plurality of keys, the actuation of different keys will result in the light guide being contacted at different positions thereby altering the light signal received by a receiver. The receiver may then output a signal indicative of which key was depressed. Each of the keys may have a different function.

30 While this invention has been particularly shown and described with reference to preferred embodiments and described with references to preferred embodiments thereof, it will be understood by those skilled in the art that various changes in

form and details may be made therein without departing from the scope of the invention as defined by the appended claims.

## CLAIMS

1. An analogue navigation device comprising a transmitter for generating a light signal, a receiver for receiving the light signal, a light guide having a surface for internally reflecting the light signal from the transmitter to the receiver, and an actuator having a surface, said actuator surface having at least a portion which is movable between a first position in which it is spaced apart from a portion of said light guide surface with a gas or fluid therebetween, and a second position in which it is in contact with said portion of said light guide surface, said portion of said light guide surface having a higher refractive index than said portion of said actuator surface and said portion of said actuator surface having a different refractive index than said gas or fluid, whereby in use the relative refractive index is changed at the contacted portion of the light guide surface thereby altering the light signal received by the receiver.
2. An analogue navigation device according to claim 1, whereby in use said receiver outputs a signal indicative of the position of the contacted portion of the light guide surface.
3. An analogue navigation device according to claim 1 or claim 2, whereby in use said received signal is used to control the position of an element
4. An analogue navigation device according to any preceding claim, wherein said second position is at a selected one of a plurality of portions on the surface of the light guide.
5. An analogue navigation device according to any preceding claim, wherein a plurality of transmitters is provided.
6. An analogue navigation device according to claim 5, wherein the transmitters are arranged to pulse alternatively.

7. An analogue navigation device according to any preceding claim, wherein a plurality of receivers is provided.
8. An analogue navigation device according to any preceding claim, wherein the or each transmitter is an LED.
9. An analogue navigation device according to any preceding claim, wherein the or each receiver is a photodiode.
10. 10. An analogue navigation device according to any preceding claim, wherein four transmitters and a single receiver are provided in a cross configuration having four corners and a centre, each one of the transmitters being disposed at one of the corners and the receiver being disposed at the centre.
- 15 11. An analogue navigation device according to any preceding claim, wherein the light guide includes an optical grating.
12. An analogue navigation device according to any preceding claim, wherein said surface of said actuator is a hemispherical surface.
- 20 13. An analogue navigation device according to any preceding claim, wherein said surface of said actuator is supported by one or more side walls.
14. An analogue navigation device according to claim 11, wherein said one or more side walls are deformable.
- 25 15. An analogue navigation device according to any preceding claim, wherein said surface of said actuator is deformable.
- 30 16. An analogue navigation device according to any preceding claim, wherein said actuator has an upper portion in the form of a stick for actuation by a user.

17. An analogue navigation device according to any preceding claim, wherein said actuator comprises an arcuate disk disposed on said surface of said actuator.
- 5 18. An analogue navigation device according to any preceding claim, wherein the or each transmitters and the or each receivers are disposed in a layer on an opposite side of said light guide to said actuator.
- 10 19. An analogue navigation device according to any preceding claim, further comprising a processing device for processing the or each signal received by the or each receiver and outputting a control signal to control the position of the element.
- 15 20. An analogue navigation device according any preceding claim, further comprising a display for displaying an element, whereby in use the position of the element on the display is controlled.
- 20 21. An analogue navigation device according to any preceding claim, wherein said received signal is used to produce a radio signal for controlling a radio controlled device.
22. An analogue navigation device substantially as described herein with reference to Figures 1-12 of the accompanying drawings.
- 25 23. A hand held electronic device comprising the analogue navigation device according to any preceding claim.
24. A hand held electronic device substantially as described herein with reference to Figures 1-12 of the accompanying drawings.
- 30 25. A method of navigating comprising generating a light signal and reflecting the light signal off a surface, wherein the relative refractive index between

materials on either side of the surface is changed thereby altering the reflected light signal, said reflected light signal being received and used to control the position of an element.

5 26. A key device comprising a transmitter for generating a light signal, a receiver for receiving the light signal, a light guide having a surface for internally reflecting the light signal from the transmitter to the receiver, and an actuator having a surface, said actuator surface having at least a portion which is movable between a first position in which it is spaced apart from a portion of said light  
10 guide surface with a gas or fluid therebetween, and a second position in which it is in contact with said portion of said light guide surface, said portion of said light guide surface having a higher refractive index than said portion of said actuator surface and said portion of said actuator surface having a different refractive index than said gas or fluid, whereby in use the relative refractive index is  
15 changed at the contacted portion of the light guide surface thereby altering the light signal received by the receiver.

27 A key device according to claim 26, whereby in use said receiver outputs a signal indicative of the position of the contacted portion of the light guide surface  
20

28. A key device according to claim 26 or 27, wherein said actuator is a key or button.

29. A key device according to claim 26 or 27, wherein said device further  
25 comprises a key which moves said actuator in use.

30. A key device according to claim 28 or 29, wherein said device comprises a plurality of keys.



INVESTOR IN PEOPLE

Application No: GB0330055.5

Examiner: Matthew Perkins

Claims searched: 1 to 21, 23 and 26 to 30

Date of search: 21 October 2004

### Patents Act 1977: Search Report under Section 17

#### Documents considered to be relevant:

Category	Relevant to claims	Identity of document and passage or figure of particular relevance
X	26	US 6154586 A (JDS FITEL) See whole document
A	-	US 6642913 B1 (FUJI PHOTO FILM CO.) See abstract
A	-	US 6028978 A (NGK INSULATORS) See abstract

#### Categories:

X	Document indicating lack of novelty or inventive step	A	Document indicating technological background and/or state of the art.
Y	Document indicating lack of inventive step if combined with one or more other documents of same category.	P	Document published on or after the declared priority date but before the filing date of this invention.
&	Member of the same patent family	E	Patent document published on or after, but with priority date earlier than, the filing date of this application

#### Field of Search:

Search of GB, EP, WO & US patent documents classified in the following areas of the UKC<sup>W</sup> :

G1A; G2F

Worldwide search of patent documents classified in the following areas of the IPC<sup>07</sup>

G02B; G02F; H01H

The following online and other databases have been used in the preparation of this search report

Online: WPI, EPODOC, PAJ