



US00D856336S

(12) **United States Design Patent**
Singer

(10) **Patent No.:** **US D856,336 S**

(45) **Date of Patent:** **** Aug. 13, 2019**

(54) **COMPUTER CARD EJECTOR**

(71) Applicant: **Juniper Networks, Inc.**, Sunnyvale, CA (US)

(72) Inventor: **Richard W. Singer**, Menlo Park, CA (US)

(73) Assignee: **Juniper Networks, Inc.**, Sunnyvale, CA (US)

(**) Term: **15 Years**

(21) Appl. No.: **29/594,064**

(22) Filed: **Feb. 15, 2017**

Related U.S. Application Data

(63) Continuation of application No. 15/233,810, filed on Aug. 10, 2016, now Pat. No. 9,766,667.

(51) **LOC (12) Cl.** **14-02**

(52) **U.S. Cl.**
USPC **D14/439**

(58) **Field of Classification Search**
USPC D14/300-302, 308-313, 314, 348, D14/353-355, 432, 439-446, 240; 361/679.02, 679.31, 679.5, 690, 694, 361/679.23, 801, 802; 312/332.1, 334.1; D13/162; D10/50

(Continued)

(56) **References Cited**

U.S. PATENT DOCUMENTS

4,947,289 A * 8/1990 Dynie H05K 7/1409 361/725

5,162,979 A 11/1992 Anzelone et al.
(Continued)

OTHER PUBLICATIONS

U.S. Appl. No. 15/233,810, by Juniper Networks, Inc. (Inventor: Richard Singer), filed Aug. 10, 2016.

(Continued)

Primary Examiner — Austin Murphy

(74) *Attorney, Agent, or Firm* — Shumaker & Sieffert, P.A.

(57) **CLAIM**

The ornamental design for a computer card ejector, as shown and described.

DESCRIPTION

FIG. 1 is a perspective view of a first example of the computer card ejector showing my new design;

FIG. 2 is an exploded view of the computer card ejector of FIG. 1;

FIG. 3 is a front view of the computer card ejector of FIG. 1;

FIG. 4 is a rear view of the computer card ejector of FIG. 1;

FIG. 5 is a top view of the computer card ejector of FIG. 1;

FIG. 6 is a bottom view of the computer card ejector of FIG. 1;

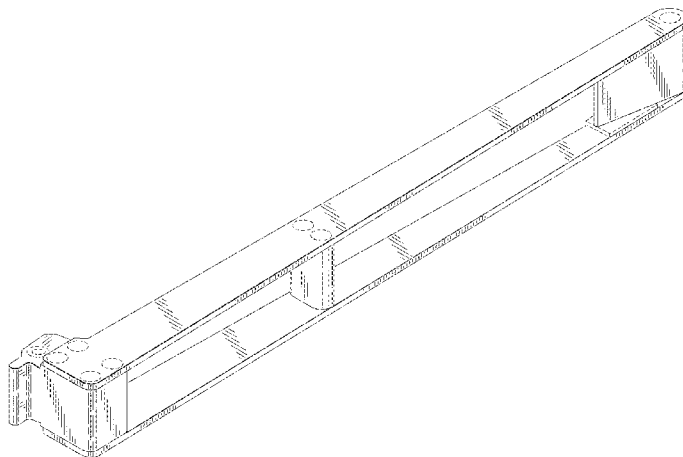
FIG. 7 is an end view of the computer card ejector of FIG. 1;

FIG. 8 is an end view of the computer card ejector of FIG. 1, opposite the end shown in FIG. 7; and,

FIG. 9 is a perspective view of the computer card ejector of FIG. 1 illustrating an environmental use of the computer card ejector, showing the computer card ejector assembled with a side rail attached to a computer card, the side rail and computer card representing unclaimed subject matter and forming no part of the claimed design.

In the drawings, the broken lines in the drawings represent unclaimed subject matter only and form no part of the claimed design. The drawings include surface shading that represents contour and not surface ornamentation.

1 Claim, 6 Drawing Sheets



US D856,336 S

Page 2

(58) **Field of Classification Search**

CPC . H05K 7/1409; A45C 11/00; A45C 2011/003;
B60R 11/0241; B60R 11/0252; F16M
13/00; F16M 11/00; G06F 1/185; G06F
1/184

See application file for complete search history.

(56)

References Cited

U.S. PATENT DOCUMENTS

5,414,594 A 5/1995 Hristake
6,185,106 B1 2/2001 Mueller
6,252,514 B1 6/2001 Nolan et al.
6,754,074 B2* 6/2004 McClelland, II H05K 7/1409
361/690
7,119,280 B1 10/2006 Ray et al.
D545,321 S * 6/2007 Frank D14/439
7,301,777 B2 11/2007 Fan et al.
7,408,788 B2 8/2008 Rubenstein
7,510,416 B2 3/2009 Sato et al.
7,616,450 B2 11/2009 Karstens

8,385,076 B2* 2/2013 Peng H05K 7/1401
248/200
8,611,103 B2 12/2013 Thomas et al.
D720,357 S * 12/2014 Kwon D14/445
8,902,601 B2* 12/2014 Trotman H05K 7/1402
361/679.38
9,042,104 B2* 5/2015 Tsai G11B 33/124
174/542
D773,468 S * 12/2016 Ellis, II D14/432
D795,877 S * 8/2017 Barron D14/432
9,766,667 B1* 9/2017 Singer G06F 1/185
D813,872 S * 3/2018 Crisp D14/432
2008/0137232 A1* 6/2008 Wadsworth G11B 33/10
360/234.6

OTHER PUBLICATIONS

Notice of Allowance from U.S. Appl. No. 15/233,810, dated May
30, 2017, 7 pp.

* cited by examiner

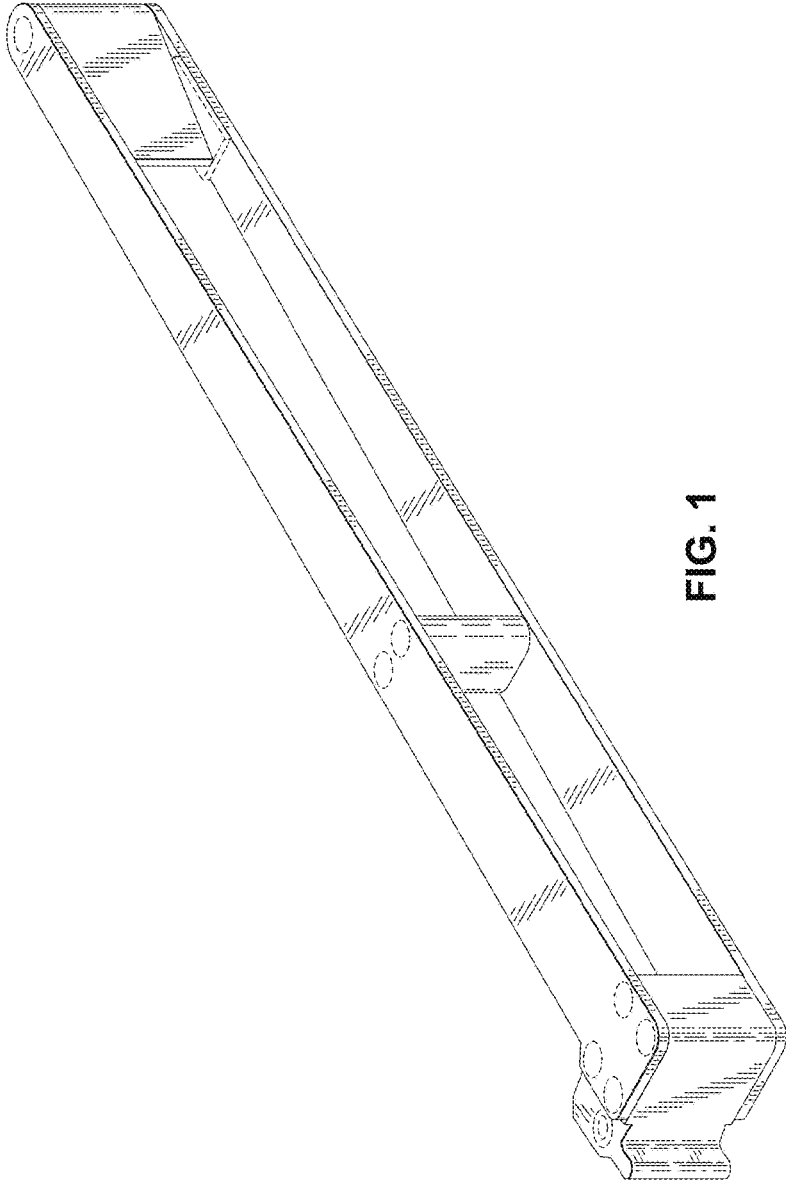


FIG. 1

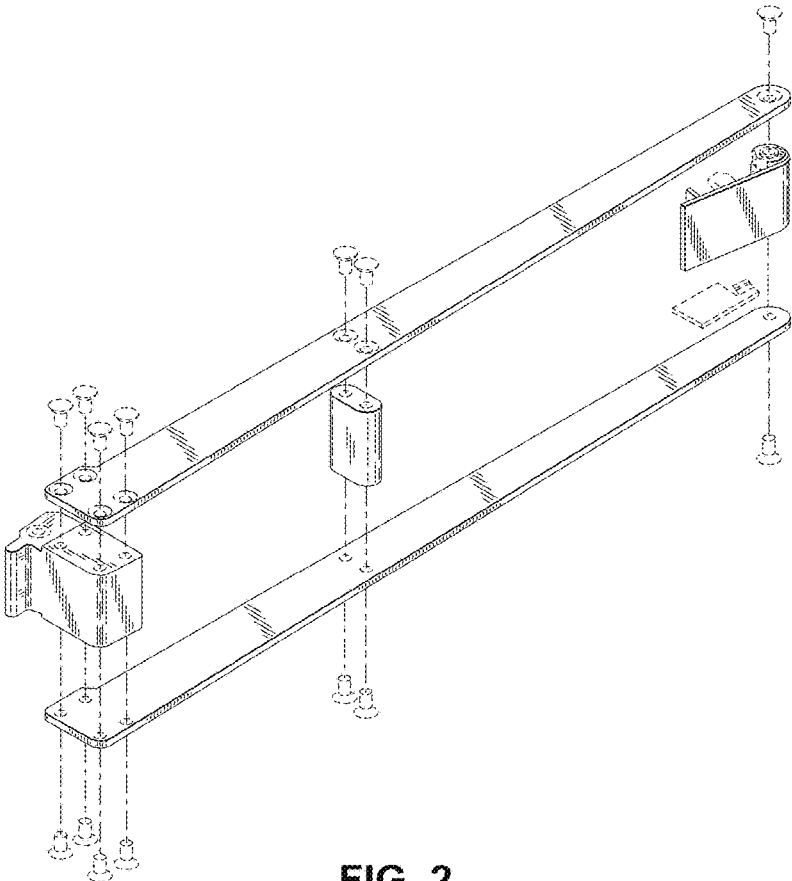


FIG. 2

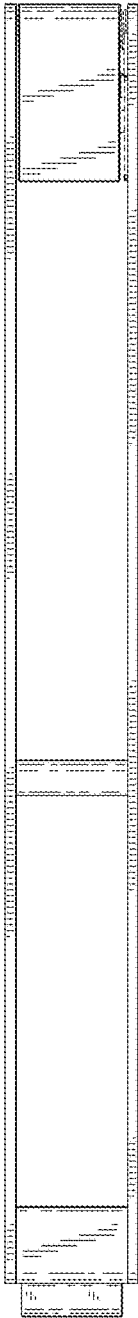


FIG. 3



FIG. 4

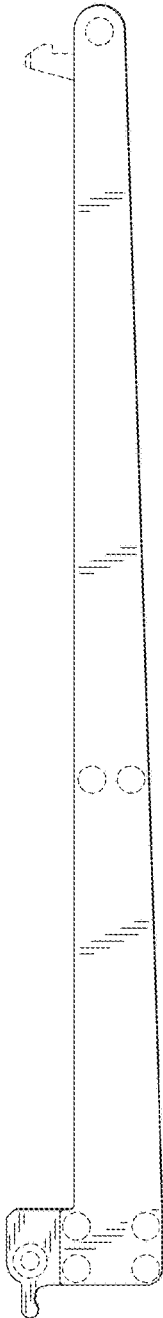


FIG. 5

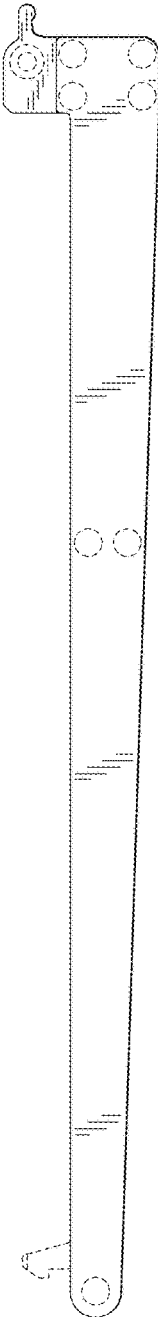


FIG. 6

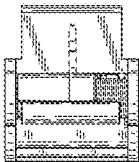


FIG. 7

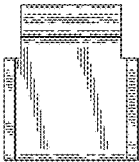


FIG. 8

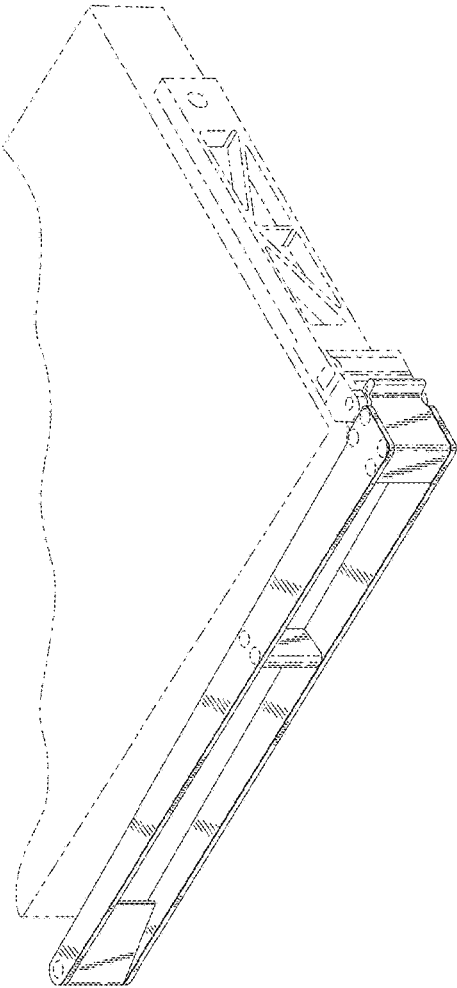


FIG. 9