



US00D824824S

(12) **United States Design Patent**
Kim

(10) **Patent No.:** **US D824,824 S**

(45) **Date of Patent:** **** Aug. 7, 2018**

(54) **VEHICLE HOOD**

(71) Applicant: **GM GLOBAL TECHNOLOGY OPERATIONS LLC**, Detroit, MI (US)

(72) Inventor: **Young Sun Kim**, Canton, MI (US)

(73) Assignee: **GM Global Technology Operations LLC**, Detroit, MI (US)

(**) Term: **15 Years**

(21) Appl. No.: **29/592,046**

(22) Filed: **Jan. 26, 2017**

(51) **LOC (11) Cl.** **12-08**

(52) **U.S. Cl.**
USPC **D12/173**

(58) **Field of Classification Search**
USPC D12/92, 163, 169, 173
CPC : B60J 7/00; B60R 21/34; B62D 25/08; B62D 25/10; B60K 28/10; B60Q 1/00
See application file for complete search history.

D611,387 S	3/2010	Thompson et al.	
D611,879 S	3/2010	Kim et al.	
D612,297 S	3/2010	Peters et al.	
D613,645 S	4/2010	Song et al.	
D615,458 S	5/2010	Thompson et al.	
D618,595 S	6/2010	Ware et al.	
D623,090 S	9/2010	Cox et al.	
D627,262 S	11/2010	Ikeda et al.	
D635,488 S	4/2011	Phipps	
D640,959 S *	7/2011	Furst	D12/173
D644,147 S	8/2011	Suh et al.	
D644,567 S	9/2011	Kozub	
D657,718 S	4/2012	Zipfel et al.	
D659,052 S	5/2012	Ware et al.	
D659,053 S	5/2012	Ware et al.	
D666,540 S *	9/2012	Karras	D12/173
D668,182 S	10/2012	Franco et al.	
D668,183 S	10/2012	Smart	
D678,820 S	3/2013	Son et al.	
D678,821 S	3/2013	Ikeda et al.	
D680,909 S	4/2013	Munson et al.	
D680,910 S	4/2013	David	
D684,899 S	6/2013	Baker	

(Continued)

Primary Examiner — Susan Bennett Hattan

Assistant Examiner — Suzanne E Tisdell

(74) *Attorney, Agent, or Firm* — Reising Ethington P.C.

(56) **References Cited**

U.S. PATENT DOCUMENTS

D570,742 S	6/2008	Takagi et al.
D592,105 S	5/2009	Dean et al.
D597,447 S	8/2009	Folden
D600,595 S	9/2009	Nakamura et al.
D601,925 S	10/2009	O'Donnell
D603,755 S	11/2009	Peters
D604,203 S	11/2009	O'Donnell
D605,082 S	12/2009	Munson
D605,083 S	12/2009	Manoogian, II et al.
D605,977 S	12/2009	Zipfel et al.
D605,978 S	12/2009	Wolff et al.
D608,249 S	1/2010	Peters
D608,690 S	1/2010	Folden et al.
D608,691 S	1/2010	Zak, Jr. et al.
D609,608 S	2/2010	Boniface et al.

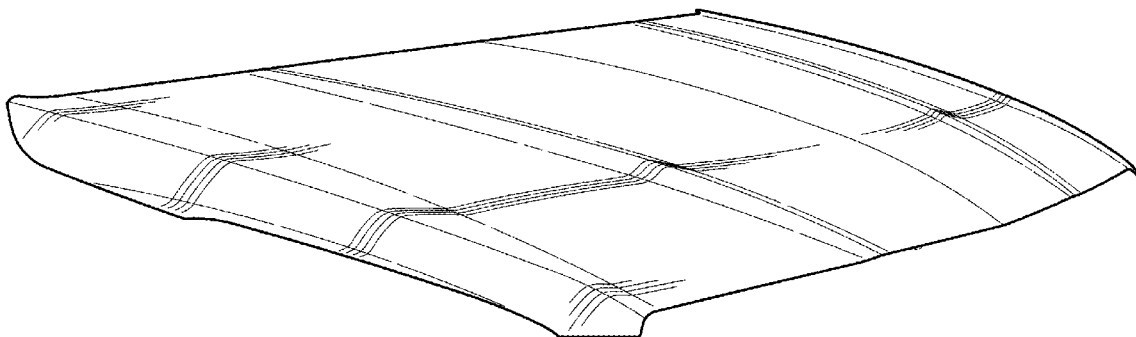
(57) **CLAIM**

The ornamental design for a vehicle hood, as shown and described.

DESCRIPTION

FIG. 1 is a perspective view of the vehicle hood; FIG. 2 is a front view thereof; FIG. 3 is a left side view thereof (where the right side view is a mirror image of the left side view); and, FIG. 4 is a top view thereof.
Broken lines included in the figures depict environmental subject matter that forms no part of the claimed design.

1 Claim, 2 Drawing Sheets



(56)

References Cited

U.S. PATENT DOCUMENTS

D686,536 S	7/2013	McCabe et al.	D749,027 S	2/2016	McMahan et al.
D692,798 S	11/2013	Thurber	D749,246 S	2/2016	Thole et al.
D692,799 S	11/2013	Smith et al.	D749,249 S	2/2016	Thole et al.
D696,157 S	12/2013	Loeb	D749,250 S	2/2016	Thole et al.
D699,629 S	2/2014	Ikeda et al.	D749,985 S	2/2016	Kozub et al.
D700,871 S	3/2014	O'Donnell et al.	D749,997 S	2/2016	McMahan et al.
D703,103 S	4/2014	Lee	D750,001 S	2/2016	Thole et al.
D704,103 S	5/2014	Mack et al.	D753,032 S	4/2016	Smith et al.
D705,132 S	5/2014	Ware et al.	D753,033 S	4/2016	Thole et al.
D705,699 S	5/2014	Ware et al.	D753,034 S	4/2016	Thole et al.
D713,298 S	9/2014	Dyson	D753,035 S	4/2016	Boniface et al.
D713,764 S	9/2014	Ferlazzo et al.	D753,559 S	4/2016	McMahan et al.
D716,696 S	11/2014	Thole et al.	D753,560 S	4/2016	McMahan et al.
D716,706 S	11/2014	Thole et al.	D753,567 S	4/2016	Boniface et al.
D716,709 S	11/2014	Thole et al.	D754,571 S	4/2016	Boniface et al.
D717,696 S	11/2014	Thole et al.	D754,572 S	4/2016	McMahan et al.
D718,189 S	11/2014	Krieg et al.	D755,088 S	5/2016	McMahan et al.
D718,682 S *	12/2014	McFarlin D12/173	D756,869 S	5/2016	McMahan et al.
D718,683 S	12/2014	Thole et al.	D758,271 S	6/2016	McMahan et al.
D722,282 S	2/2015	Loeb	D764,975 S	8/2016	Aengenheyster
D722,533 S	2/2015	Thole et al.	D764,976 S	8/2016	Aengenheyster
D722,534 S	2/2015	Munson et al.	D765,568 S *	9/2016	Frascella D12/173
D724,510 S	3/2015	McMahan et al.	D767,449 S	9/2016	Pevovar et al.
D725,001 S	3/2015	McMahan et al.	D767,450 S	9/2016	Lee et al.
D726,591 S	4/2015	Jacob	D767,451 S	9/2016	Kozub et al.
D730,776 S	6/2015	Smart	D767,454 S	9/2016	McMahan et al.
D730,783 S	6/2015	Henriques et al.	D767,458 S	9/2016	Kim
D732,427 S	6/2015	Loeb	D767,459 S	9/2016	Kim
D732,429 S	6/2015	Loeb	D767,460 S	9/2016	Kozub et al.
D732,430 S	6/2015	Loeb	D767,461 S	9/2016	Kozub et al.
D732,431 S	6/2015	Loeb	D771,528 S	11/2016	Smith et al.
D732,432 S	6/2015	Aengenheyster	D771,529 S	11/2016	Thole et al.
D732,433 S	6/2015	Aengenheyster	D771,532 S	11/2016	Kapitonov
D732,435 S	6/2015	Mackay	D771,533 S	11/2016	Kapitonov
D733,002 S	6/2015	Loeb	D772,766 S	11/2016	Kozub et al.
D735,611 S	8/2015	Aengenheyster	D772,767 S	11/2016	Kim
D735,626 S *	8/2015	Blanski D12/173	D773,084 S	11/2016	Kapitonov
D735,627 S	8/2015	Smith	D773,086 S	11/2016	McCabe et al.
D736,451 S	8/2015	Smith	D774,226 S	12/2016	McCabe et al.
D737,743 S *	9/2015	Duff D12/173	D775,003 S	12/2016	Pevovar et al.
D739,306 S	9/2015	McMahan et al.	D775,007 S	12/2016	Thole et al.
D739,317 S	9/2015	McMahan et al.	D775,010 S	12/2016	Kim et al.
D741,223 S	10/2015	Kim et al.	D775,019 S *	12/2016	Wheel D12/173
D743,309 S *	11/2015	Thole D12/173	D775,049 S	12/2016	Scheer et al.
D743,313 S	11/2015	Smith et al.	D775,549 S	1/2017	Karras
D743,314 S	11/2015	Thole et al.	D775,554 S	1/2017	Kapitonov
D743,857 S *	11/2015	McMahan D12/173	D776,020 S	1/2017	Kapitonov
D744,158 S	11/2015	Willett et al.	D776,581 S	1/2017	Pevovar et al.
D745,086 S	12/2015	Finos et al.	D776,583 S	1/2017	Scheer et al.
D745,719 S	12/2015	Boniface et al.	D776,841 S	1/2017	Kozub et al.
D745,725 S	12/2015	McMahan et al.	D776,843 S	1/2017	McCabe et al.
D745,726 S	12/2015	McMahan et al.	D776,846 S	1/2017	Willett et al.
D745,837 S	12/2015	Smith et al.	D777,359 S	1/2017	Kozub et al.
D746,726 S	1/2016	Smith et al.	D777,360 S	1/2017	Kozub et al.
D746,727 S	1/2016	Smith et al.	D777,361 S	1/2017	Kozub et al.
D746,728 S	1/2016	Smith et al.	D777,621 S *	1/2017	Kim D12/173
D746,729 S	1/2016	Boniface et al.	D777,622 S *	1/2017	Kozub D12/173
D746,730 S	1/2016	Kim et al.	D787,992 S *	5/2017	Lee D12/173
D746,740 S *	1/2016	Wolff D12/173	D787,993 S *	5/2017	McCabe D12/173
D747,514 S	1/2016	McMahan et al.	D789,260 S *	6/2017	Smith D12/173
D747,515 S	1/2016	McMahan et al.	D804,372 S *	12/2017	Kozub D12/173
D747,819 S	1/2016	Thole et al.	2004/0256024 A1 *	12/2004	Schlachter B60K 15/04 141/86
D748,545 S *	2/2016	Behmer D12/173	2005/0280287 A1 *	12/2005	Koura B60R 21/34 296/193.11
D749,021 S	2/2016	Boniface et al.	2016/0280279 A1 *	9/2016	Yoshida B62D 25/12
D749,026 S	2/2016	Smith et al.	2018/0056927 A1 *	3/2018	Yamada B60R 21/38

* cited by examiner

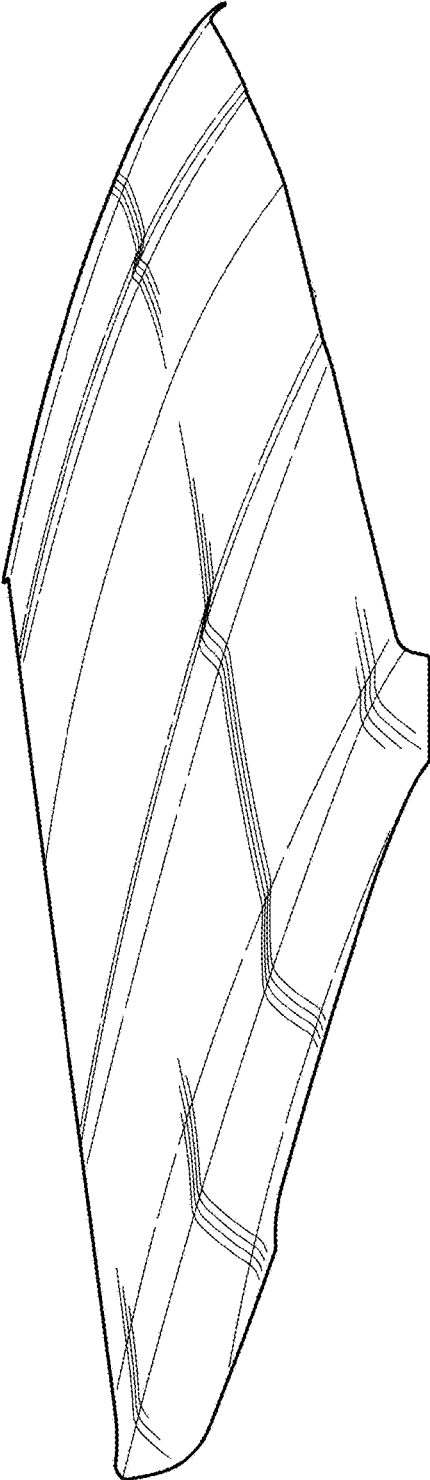


FIG. 1

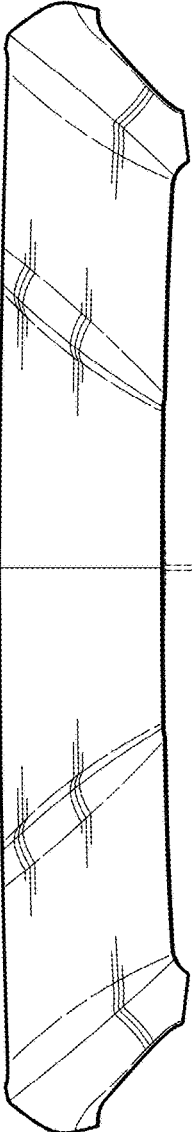


FIG. 2

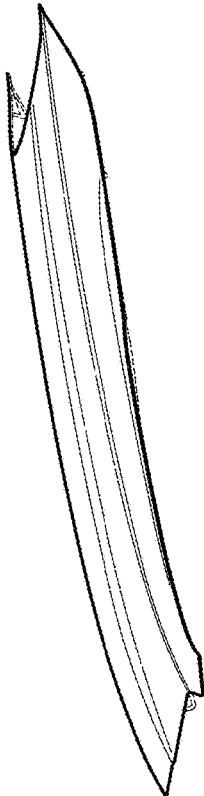


FIG. 3

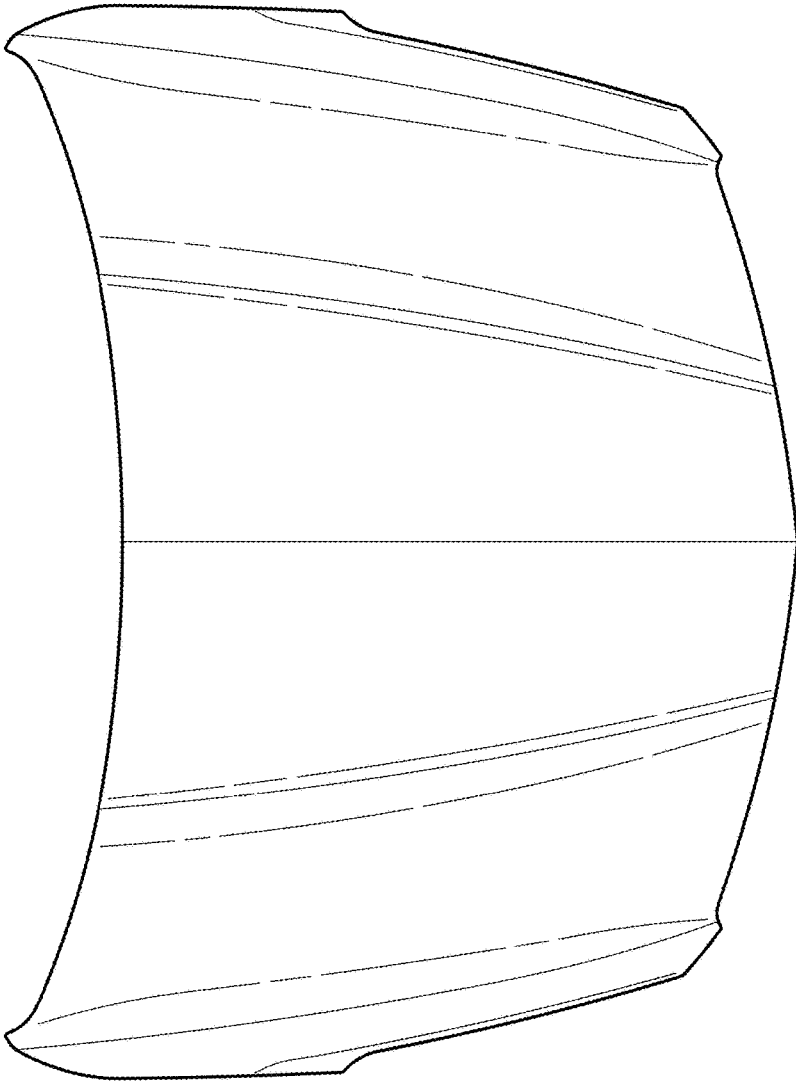


FIG. 4