



US00D873897S

(12) **United States Design Patent**
Wengreen

(10) **Patent No.:** **US D873,897 S**

(45) **Date of Patent:** **** Jan. 28, 2020**

- (54) **MOVABLE MOUNT FOR ELECTRONIC DEVICES**
- (71) Applicant: **Innovelis, Inc.**, Sammamish, WA (US)
- (72) Inventor: **Eric John Wengreen**, Sammamish, WA (US)

- 3,279,009 A 10/1966 Teasdale
- 3,294,298 A 12/1966 Danielson
- 3,477,679 A 11/1969 Lovitz
- 3,990,617 A 11/1976 Carter
- D242,766 S 12/1976 Neece
- 4,067,532 A 1/1978 Viteritto

(Continued)

(73) Assignee: **Innovelis, Inc.**, Sammamish, WA (US)

(**) Term: **15 Years**

(21) Appl. No.: **29/655,871**

(22) Filed: **Jul. 9, 2018**

(51) **LOC (12) Cl.** **16-05**

(52) **U.S. Cl.**
USPC **D16/242; D14/253; D14/447**

(58) **Field of Classification Search**
 USPC D14/250–254, 217, 224, 224.1, 238.1, D14/299, 434, 447, 451–452, 483; D12/400, 415–426, 426.1, 114, 223; D16/242, 245; D10/74; D3/218; D13/107, 108; D8/363
 CPC B60R 11/00; B60R 11/02; B60R 11/0241; B60R 11/0252; B60R 2011/0003; B60R 2011/0005; B60R 2011/0008; H04M 1/04; H04B 1/3877; A45F 2200/0516; A45F 2200/0525; H05K 5/0204; F16M 13/02; F16M 13/022; F16M 11/04; F16M 11/041; F16M 11/14; F16M 11/22; F16B 2/12; H01F 7/0252; G03B 17/561
 See application file for complete search history.

(56) **References Cited**

U.S. PATENT DOCUMENTS

- 1,618,573 A 2/1927 Cole
- 2,584,646 A 2/1952 Wagstaff
- 3,091,378 A 5/1963 O'Dwyer
- D196,542 S 10/1963 Zelnick
- 3,176,950 A 4/1965 Hittesdorf

OTHER PUBLICATIONS

TotalMount Full-Motion Wall Mount for Amazon Cloud Cam, YouTube online, post date Aug. 1, 2018, URL: https://www.youtube.com/watch?v=3RqdXw_ljdU, retrieved Aug. 29, 2019.*

Primary Examiner — Jeffrey D Asch
Assistant Examiner — Rebekah A Caruso

(57) **CLAIM**

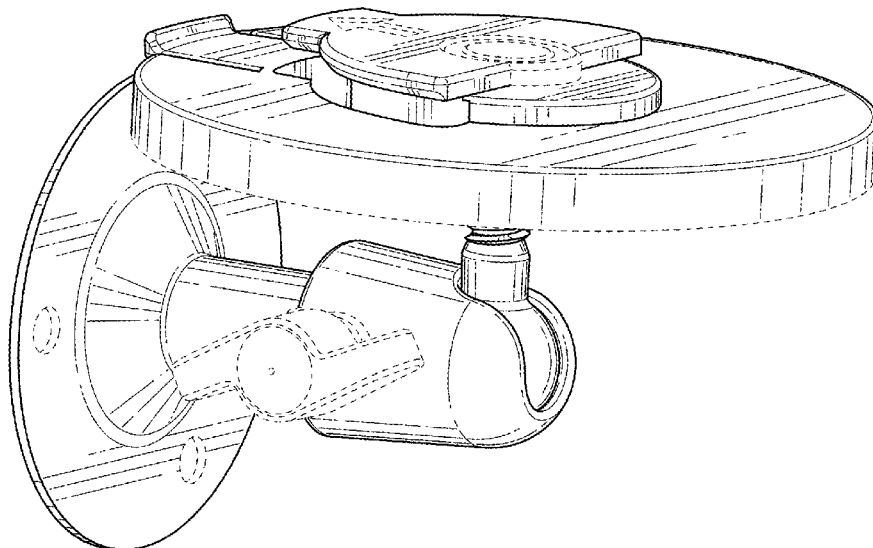
The ornamental design for a movable mount for electronic devices, as shown and described.

DESCRIPTION

FIG. 1 is a first side, top and front perspective view of a movable mount for electronic devices embodying the new design;
 FIG. 2 is a second side, bottom and front perspective view thereof;
 FIG. 3 is a first side, top and back perspective view thereof;
 FIG. 4 is a top view thereof;
 FIG. 5 is a bottom view thereof;
 FIG. 6 is a second side view thereof;
 FIG. 7 is a first side view thereof;
 FIG. 8 is a front view thereof;
 FIG. 9 is a back view thereof; and,
 FIG. 10 is a first side and front perspective view of an alternate position thereof.

The uniform repeating broken lines depict portions of a movable mount for electronic devices in which the claimed design is embodied and form no part of the claimed design.

1 Claim, 10 Drawing Sheets



(56)

References Cited

U.S. PATENT DOCUMENTS

4,158,450	A	6/1979	Suzuki	6,888,940	B1	5/2005	Deppen	
4,467,244	A	8/1984	Dickie	6,912,125	B2	6/2005	Weng	
4,519,656	A	5/1985	Raz	D508,605	S	8/2005	Hwang	
D280,466	S	9/1985	Seltzer	6,939,641	B2	9/2005	Kincaid	
D282,034	S	1/1986	Janke	6,983,126	B1	1/2006	Saalman	
4,602,761	A	7/1986	Carter	D518,704	S	4/2006	Miao	
D287,365	S	12/1986	Judd	7,047,601	B1	5/2006	Vernon-Woods	
4,697,780	A	10/1987	Wenkman	7,067,737	B2	6/2006	Mallen	
4,746,042	A	5/1988	King	7,079,384	B2	7/2006	Wang	
4,771,927	A	9/1988	Ventura	7,080,764	B2	7/2006	McNicholas	
4,815,683	A	3/1989	Ferrante	7,113,218	B2	9/2006	Battles	
4,825,590	A	5/1989	Cullinane	D529,713	S	10/2006	Guyot	
4,826,115	A	5/1989	Novitski	D529,905	S	10/2006	Richter	
4,840,773	A	6/1989	Wade	D530,713	S	10/2006	Richter	
4,852,843	A	8/1989	Chandler	D530,717	S	10/2006	Mori	
4,974,764	A	12/1990	Cantwell	D533,174	S	* 12/2006	Richter	D14/251
D317,157	S	5/1991	Jondelius	D533,175	S	12/2006	Richter	
5,038,985	A	8/1991	Chapin	7,145,603	B2	12/2006	Whitby	
D323,085	S	1/1992	Konkel	D535,826	S	1/2007	Toghanian	
5,092,395	A	3/1992	Amidzich	D536,239	S	2/2007	Tallman	
5,227,582	A	7/1993	Velasco	7,222,762	B2	5/2007	Rees	
5,273,690	A	12/1993	McDowell	D545,343	S	6/2007	Braun	
5,297,318	A	3/1994	Adolphson	D545,826	S	* 7/2007	Richter	D14/251
D351,341	S	10/1994	Hung	D547,863	S	7/2007	Heinsch	
5,385,282	A	1/1995	Chen	D551,008	S	9/2007	Hidalgo	
5,400,990	A	3/1995	Frankel	D553,352	S	10/2007	Allen	
D359,616	S	6/1995	Ishibashi	D557,266	S	12/2007	Hughes	
D361,335	S	8/1995	Rudkiewicz	D560,411	S	1/2008	Chung	
D361,462	S	8/1995	Newham	D564,529	S	3/2008	Hughes	
D362,663	S	9/1995	Nguyen	D565,399	S	4/2008	Grey	
D369,465	S	5/1996	Scheid	D568,889	S	5/2008	Hughes	
5,535,093	A	7/1996	Noguchi	7,367,089	B2	5/2008	Cooke	
5,555,491	A	9/1996	Tao	D570,801	S	6/2008	Allen	
D376,531	S	12/1996	Polley	D585,882	S	2/2009	Lum	
D376,585	S	12/1996	Wathen	D586,795	S	2/2009	Richter	
D376,787	S	12/1996	Calfe	D591,755	S	* 5/2009	Richter	D14/253
5,593,124	A	1/1997	Wang	D592,205	S	* 5/2009	O'Brien	D12/415
5,619,395	A	4/1997	McBride	D592,206	S	* 5/2009	O'Brien	D12/415
5,619,774	A	4/1997	Perry	D596,172	S	7/2009	Ahlqvist	
D385,287	S	10/1997	Westcott	D598,945	S	8/2009	Gillespie	
D388,107	S	12/1997	Huckins	7,580,255	B2	8/2009	Crooijmans	
D390,849	S	2/1998	Richter	D601,000	S	9/2009	Cole	
D395,641	S	6/1998	Gaete	D602,024	S	* 10/2009	Richter	D14/253
5,850,998	A	12/1998	Parsey	D609,030	S	2/2010	Barabas	
D407,408	S	3/1999	Hoff	D610,579	S	2/2010	Behar	
D409,079	S	5/1999	Sobczynski	D624,949	S	10/2010	Nakayama	
5,899,371	A	5/1999	Weliver	D625,729	S	10/2010	McNames	
D411,542	S	6/1999	Richter	D628,611	S	12/2010	Lewis	
5,914,707	A	6/1999	Kono	7,854,420	B2	12/2010	Depay	
5,961,083	A	10/1999	Hartman	D633,503	S	3/2011	Bo	
5,979,724	A	11/1999	Loewenthal	7,925,320	B2	4/2011	Pemble	
D420,149	S	2/2000	Hersh	D639,092	S	6/2011	Lundy	
6,039,173	A	3/2000	Crow	7,959,121	B1	6/2011	Barnes	
D425,353	S	5/2000	Foy	7,980,435	B2	7/2011	Tages	
D426,041	S	5/2000	Boghossian	D643,659	S	8/2011	Choi	
6,073,901	A	6/2000	Richter	8,041,029	B2	10/2011	Wieggers	
6,102,660	A	8/2000	Lee	D648,707	S	11/2011	Akana	
6,105,923	A	8/2000	Robertson	D648,727	S	11/2011	Van Den Nieuwenhuizen	
D431,250	S	9/2000	Richter	D654,077	S	2/2012	Radin	
6,163,997	A	12/2000	Deralas	D657,362	S	4/2012	Lister	
6,193,546	B1	2/2001	Sadler	D660,306	S	5/2012	Voorhees	
D443,493	S	6/2001	Skeem	D662,491	S	6/2012	Bartley	
6,275,882	B1	8/2001	Cheever	D665,006	S	8/2012	Green	
6,275,885	B1	8/2001	Chin	D667,249	S	9/2012	London	
6,336,615	B1	1/2002	Jeon	D667,411	S	9/2012	Kim	
D456,024	S	4/2002	Richter	D669,890	S	10/2012	Hopkins	
D456,413	S	4/2002	Malson	D672,308	S	12/2012	Cobbett	
6,445,290	B1	9/2002	Fingal	8,322,584	B2	12/2012	Dethmers	
6,485,144	B1	11/2002	Liao	D675,208	S	1/2013	Petrick	
D471,547	S	3/2003	Ruohonen	D680,540	S	4/2013	Lee	
6,554,527	B1	4/2003	O'Donnell	D685,798	S	7/2013	Weiss	
6,560,983	B1	5/2003	Schimmeyer	D685,804	S	7/2013	Richter	
D475,995	S	6/2003	Hsieh	D686,629	S	7/2013	Trinh	
6,657,868	B1	12/2003	Hsue	D688,253	S	8/2013	Cho	
6,691,374	B2	2/2004	Coyne	D690,707	S	10/2013	Minn	
				D692,013	S	10/2013	Crysell	
				8,544,805	B2	10/2013	Virgin	
				D695,298	S	12/2013	Han	
				D695,748	S	12/2013	Morris	

(56)

References Cited

U.S. PATENT DOCUMENTS

D696,672 S	12/2013	Brittain	D778,105 S	2/2017	Coffey, Jr.	
D697,919 S	1/2014	Gelsomini	D779,466 S	2/2017	Wengreen	
D700,832 S	3/2014	Ng	9,578,960 B1	2/2017	Wu	
8,668,179 B2	3/2014	Corn	D780,762 S	3/2017	Ju	
D705,229 S	5/2014	Wengreen	D784,438 S	4/2017	Rondinelli	
D710,340 S	8/2014	Wengreen	D791,215 S	7/2017	Schmidt	
D710,363 S	8/2014	Wengreen	D795,820 S	8/2017	Wengreen	
D710,836 S	8/2014	Wengreen	D797,546 S	9/2017	Saideh	
D712,394 S	9/2014	Booth	D797,750 S	9/2017	Wengreen	
D712,906 S	9/2014	Wengreen	D798,305 S	9/2017	Wengreen	
D713,395 S	9/2014	Godycki	D798,306 S	9/2017	Wengreen	
D713,399 S	9/2014	Green	D800,824 S	10/2017	Rochus	
D713,849 S	9/2014	Kirwer	D801,413 S	10/2017	Martin	
8,847,549 B2	9/2014	Graham	D801,414 S	10/2017	Martin	
8,848,113 B2	9/2014	Wengreen	D803,030 S	11/2017	Wengreen	
D714,793 S	10/2014	Kim	D804,289 S	12/2017	Wengreen	
D716,580 S	11/2014	Wengreen	D806,521 S	1/2018	Wengreen	
D717,307 S	11/2014	Chun	D808,367 S	1/2018	Wengreen	
D717,804 S	11/2014	Budge	D812,458 S	3/2018	Goto	
8,896,768 B1	11/2014	Wengreen	D813,241 S	3/2018	Wengreen	
8,934,060 B1	1/2015	Wengreen	D824,399 S	7/2018	Wengreen	
8,934,061 B1	1/2015	Wengreen	D825,576 S	8/2018	Krupa	
8,939,417 B1	1/2015	Wengreen	D825,643 S *	8/2018	Wengreen	D16/242
D723,042 S	2/2015	Lee	D832,274 S	10/2018	Wengreen	
D724,598 S	3/2015	Gelsomini	D832,858 S	11/2018	Wengreen	
8,988,616 B2	3/2015	Wengreen	10,386,704 B2 *	8/2019	Wengreen	F16M 11/041
9,019,698 B2	4/2015	Thiers	2005/0023419 A1	2/2005	Frankel	
D729,544 S	5/2015	Wengreen	2005/0211861 A1	9/2005	Lee	
D732,939 S	6/2015	Cannaverde	2005/0236541 A1	10/2005	Chang	
D733,105 S	6/2015	Wengreen	2006/0224575 A1	10/2006	Ostojic	
D733,542 S	7/2015	Cannaverde	2007/0097617 A1	5/2007	Searby	
D733,691 S	7/2015	Wengreen	2007/0235609 A1	10/2007	Chun	
D734,305 S	7/2015	Wengreen	2007/0264169 A1	11/2007	Chen	
D735,174 S	7/2015	Wengreen	2008/0078793 A1	4/2008	Brown	
D736,848 S	8/2015	Kim	2008/0245935 A1 *	10/2008	Kaneda	F16M 11/041 248/206.2
D739,407 S	9/2015	Son	2009/0218454 A1	9/2009	Stanley	
D739,410 S	9/2015	Chun	2009/0296997 A1	12/2009	Rochefford	
9,131,195 B2	9/2015	Wengreen	2010/0270190 A1	10/2010	Howard	
D741,146 S	10/2015	Delrue	2010/0281671 A1	11/2010	De Vaan	
D742,387 S	11/2015	Xiang	2010/0288895 A1	11/2010	Shamie	
9,185,953 B2	11/2015	Whitten	2010/0314277 A1	12/2010	Murray	
D746,599 S	1/2016	Olson	2010/0314277 A1	12/2010	Murray	
D749,549 S	2/2016	Wengreen	2011/0242439 A1	10/2011	Calderon	
D749,597 S	2/2016	Wengreen	2012/0126081 A1	5/2012	Wengreen	
D749,666 S	2/2016	Ahdoot	2012/0127379 A1	5/2012	Wengreen	
D750,633 S	3/2016	Minn	2012/0168516 A1	7/2012	Bolger	
D751,563 S	3/2016	Wengreen	2012/0280014 A1	11/2012	Lopez-Apodaca	
D752,415 S	3/2016	Lu	2012/0312950 A1	12/2012	Sears	
D757,521 S	5/2016	Rosner	2014/0061406 A1	3/2014	Chevalier	
9,339,112 B2	5/2016	Wengreen	2014/0103179 A1	4/2014	Lipke	
D759,005 S *	6/2016	Murakami	2014/0241705 A1	8/2014	Wengreen	
D759,018 S	6/2016	Subramaniam	2015/0070835 A1	3/2015	McLean	
D761,236 S	7/2016	Wengreen	2015/0212544 A1	7/2015	Chen	
D763,666 S	8/2016	Wengreen	2015/0305502 A1	10/2015	Wengreen	
D763,835 S	8/2016	Wengreen	2016/0007735 A1	1/2016	Gallup	
D765,063 S	8/2016	Wengreen	2016/0025264 A1 *	1/2016	Casagrande	F16M 11/14 248/205.9
D765,064 S	8/2016	Wengreen	2016/0119458 A1	4/2016	Gunther	
D765,646 S	9/2016	Deng	2016/0120295 A1	5/2016	Rowley	
D765,651 S	9/2016	Liu	2016/0218535 A1	7/2016	Prete	
D767,377 S	9/2016	Sekula	2016/0234955 A1	8/2016	Wengreen	
D770,171 S	11/2016	Lai	2016/0241289 A1	8/2016	Wieth	
D772,217 S	11/2016	Alesi	2016/0318455 A1 *	11/2016	Zhang	F16M 11/105
D773,465 S *	12/2016	Palmer	2017/0150620 A1	5/2017	Wengreen	
D777,167 S	1/2017	Wengreen	2017/0208945 A1	7/2017	Wengreen	
9,543,082 B1	1/2017	Wengreen	2018/0080597 A1 *	3/2018	Weldon	F16M 11/14
			2019/0004402 A1 *	1/2019	Wengreen	F16M 11/041

* cited by examiner

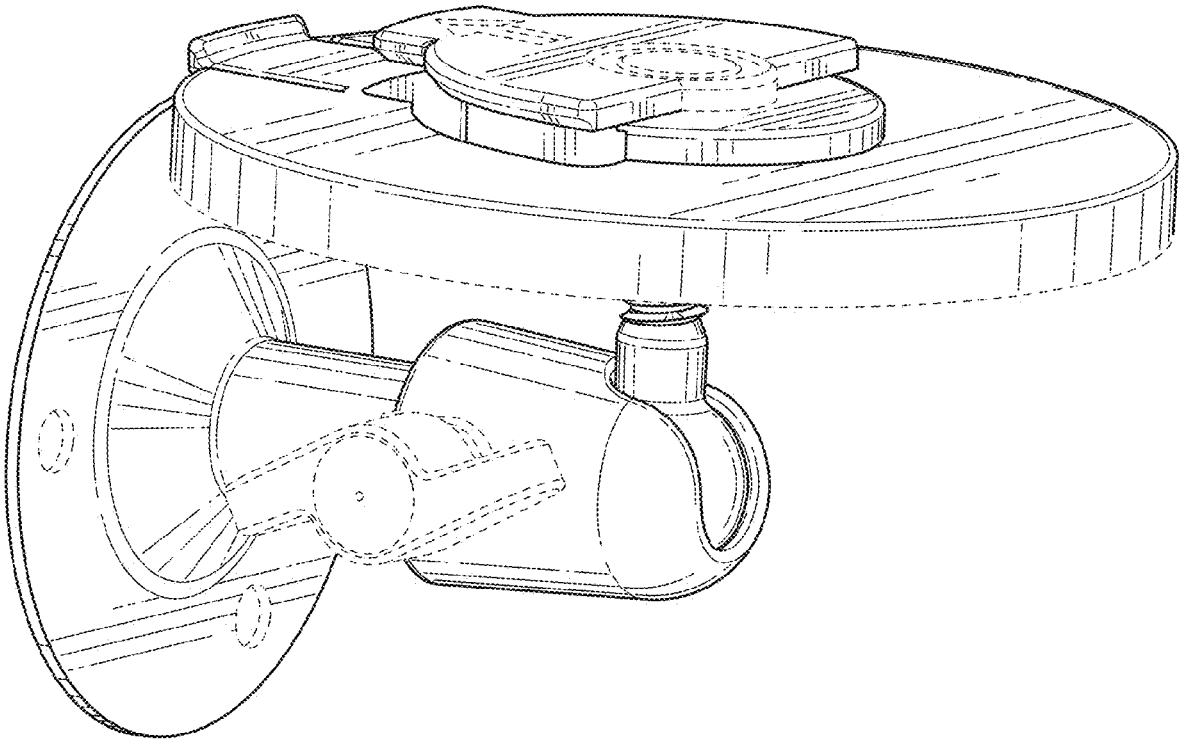


FIG. 1

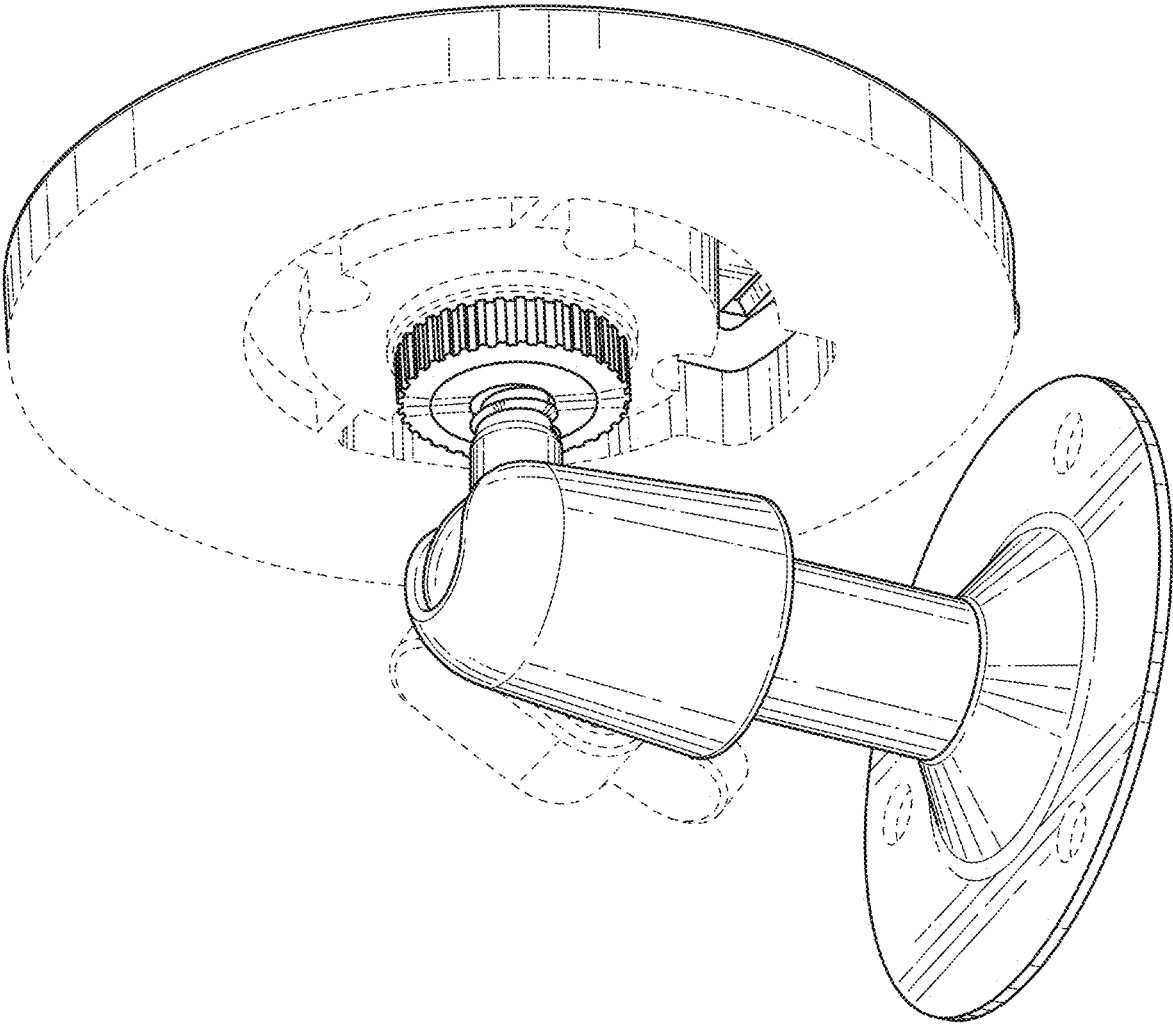


FIG. 2

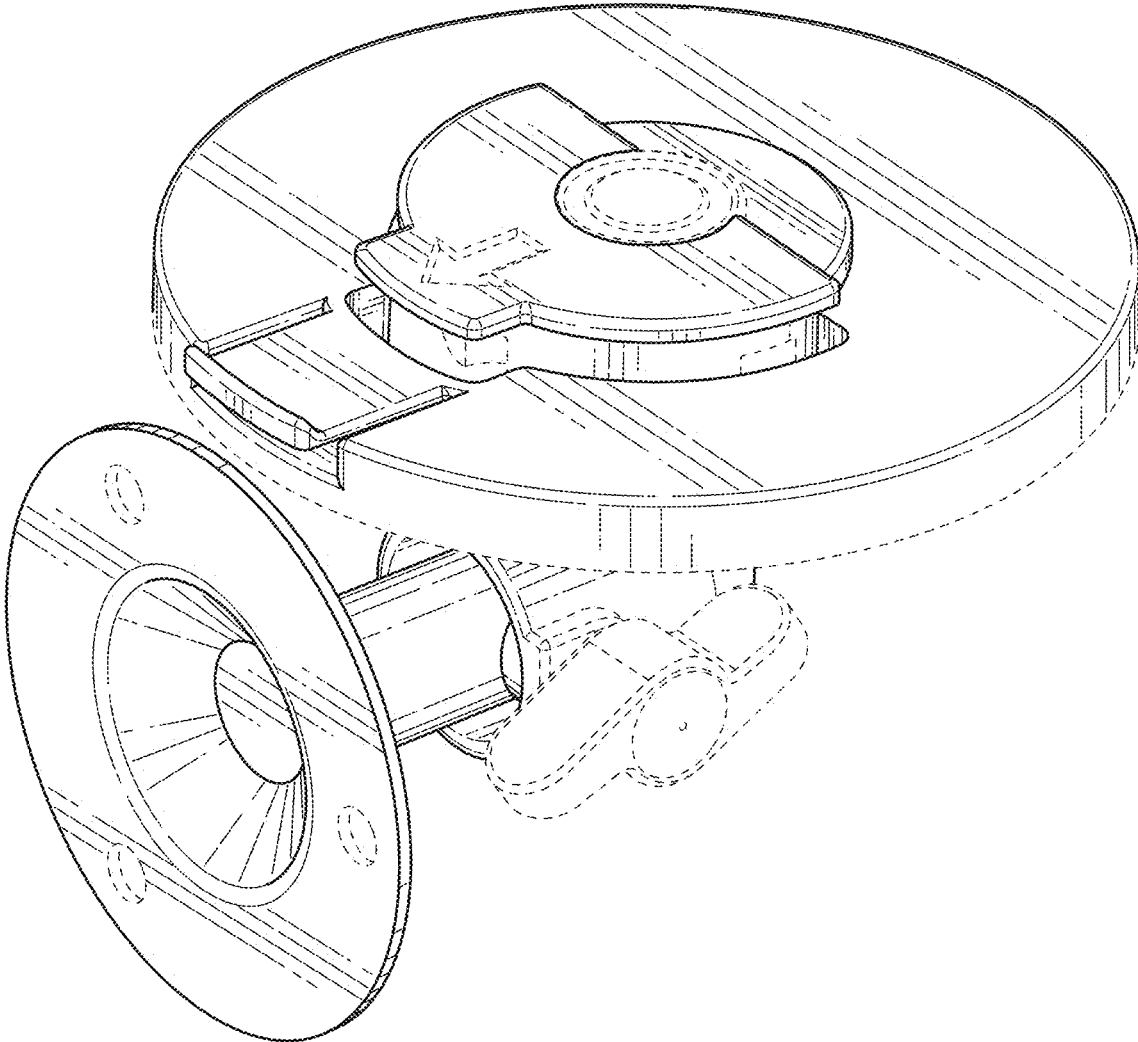


FIG. 3

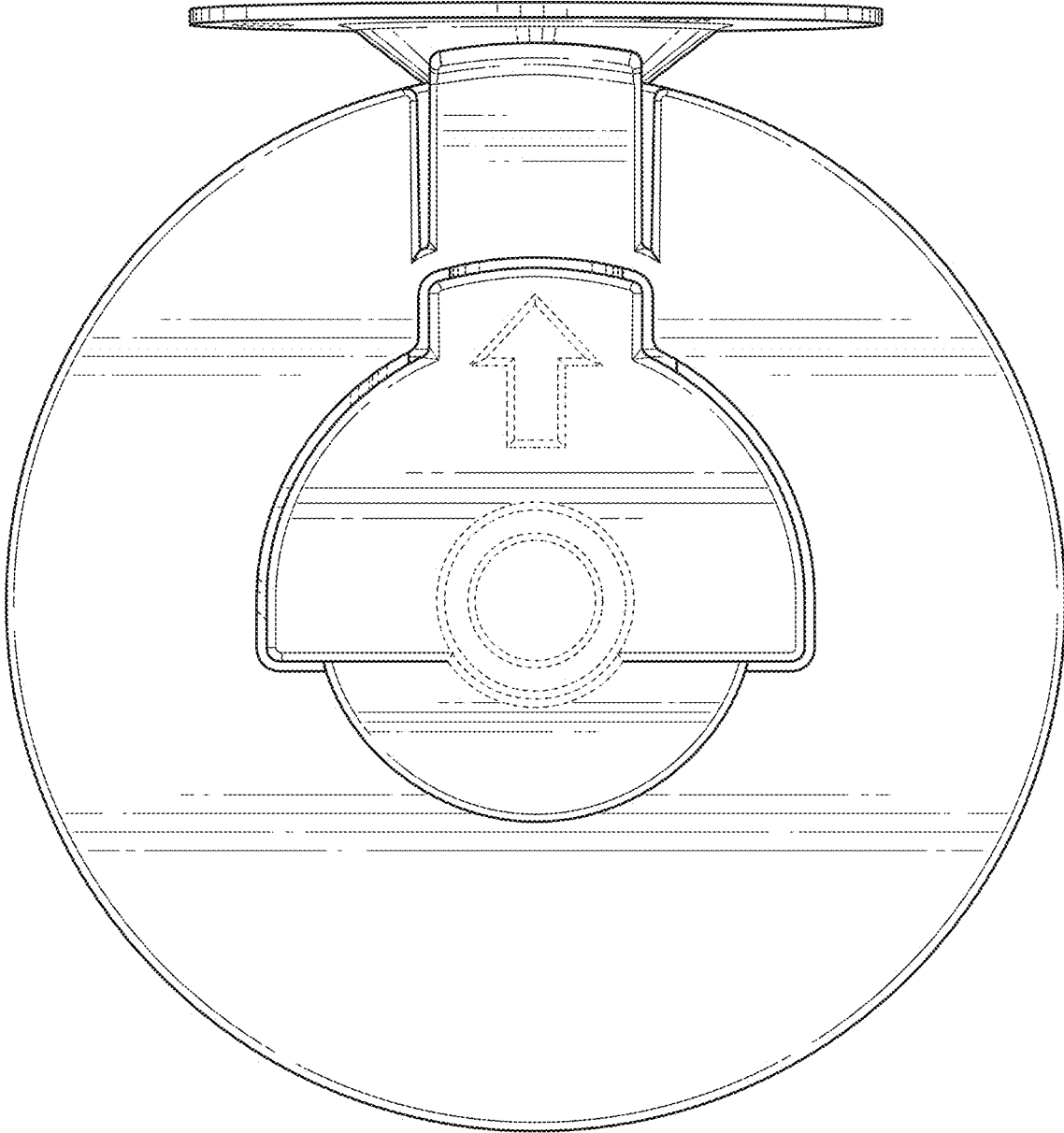


FIG. 4

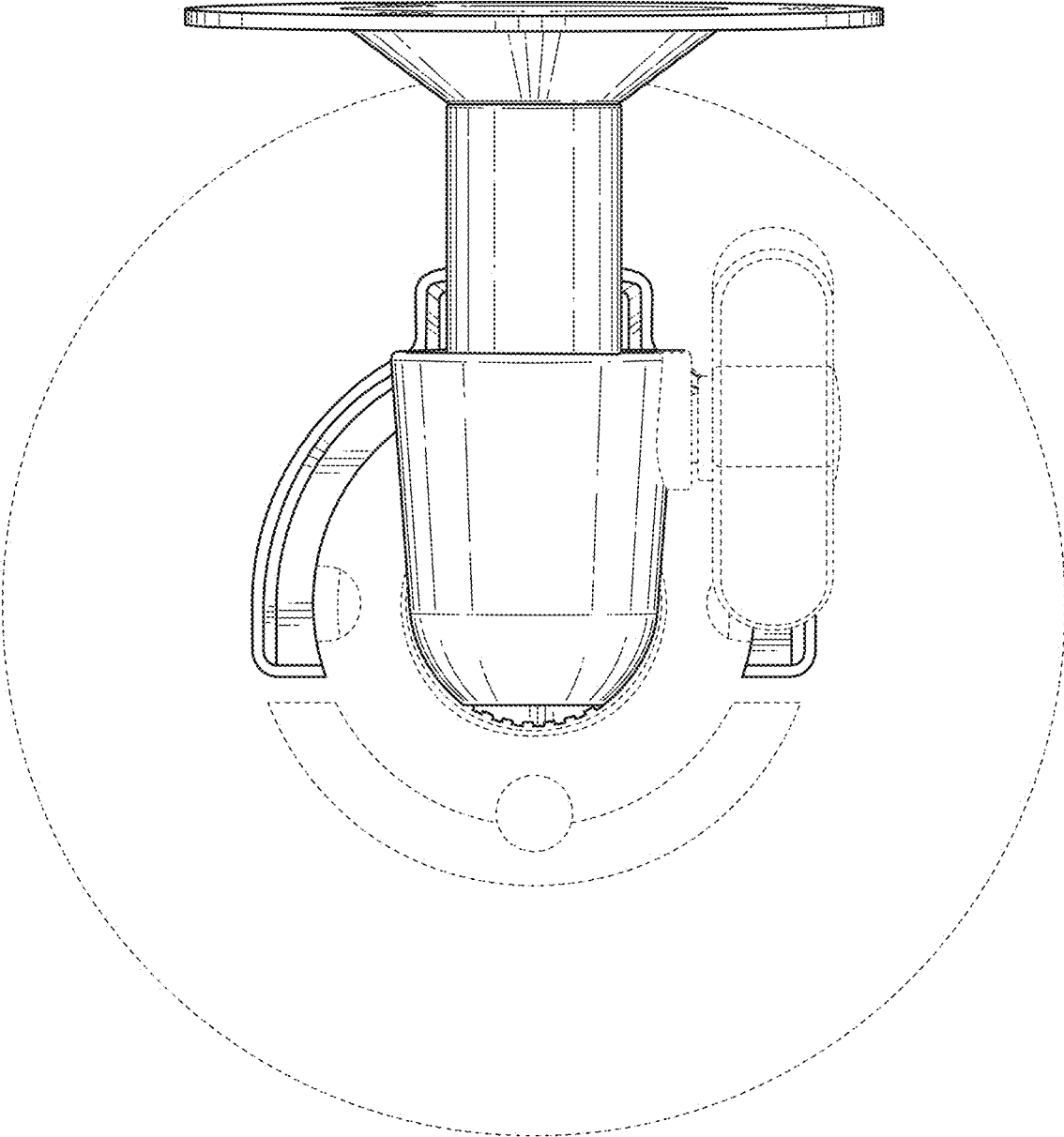


FIG. 5

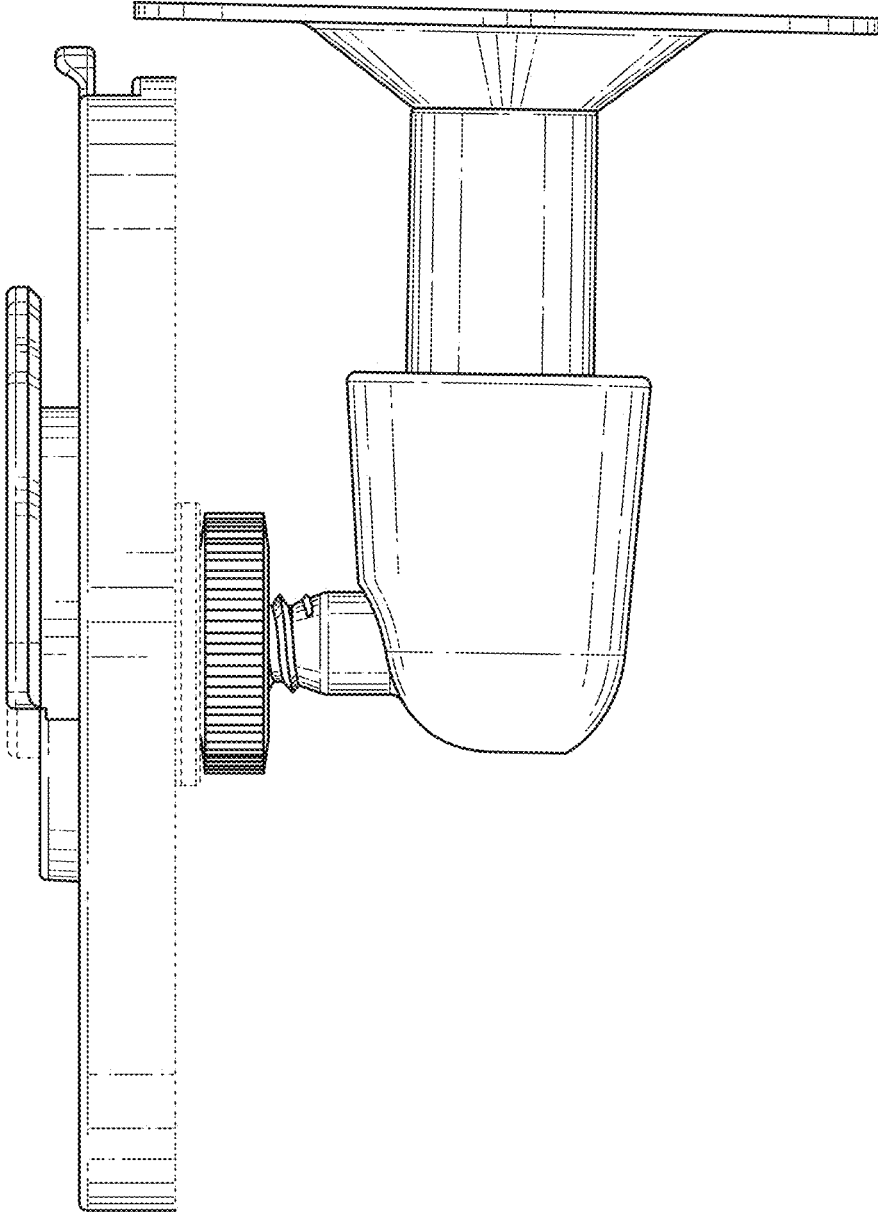


FIG. 6

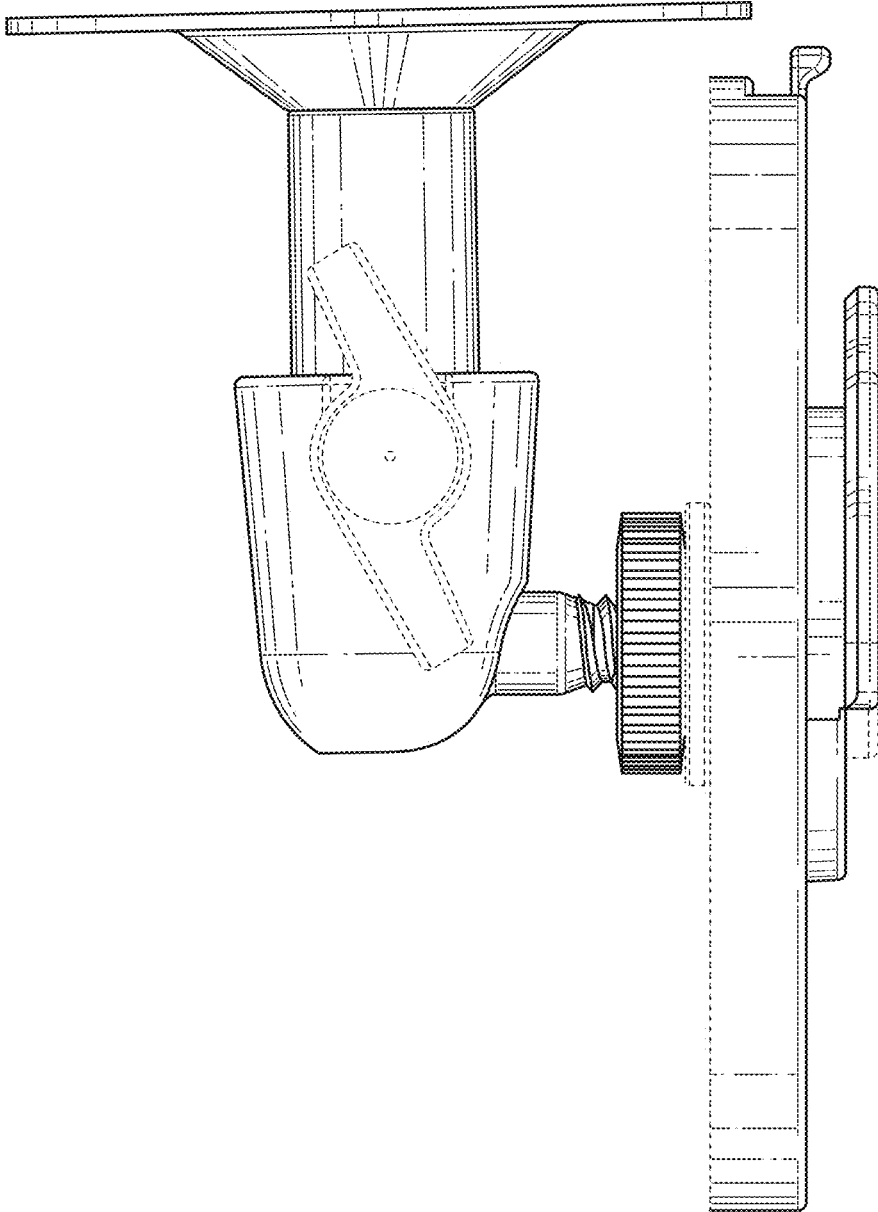


FIG. 7

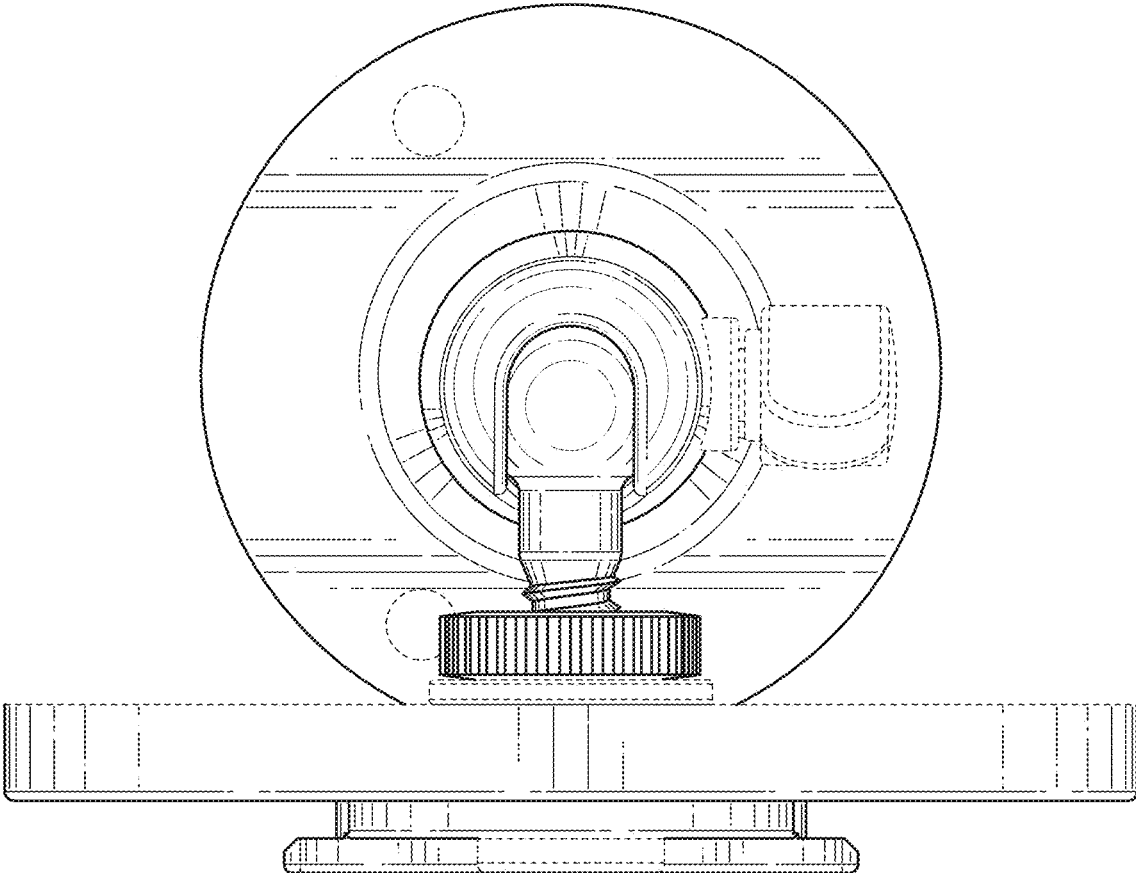


FIG. 8

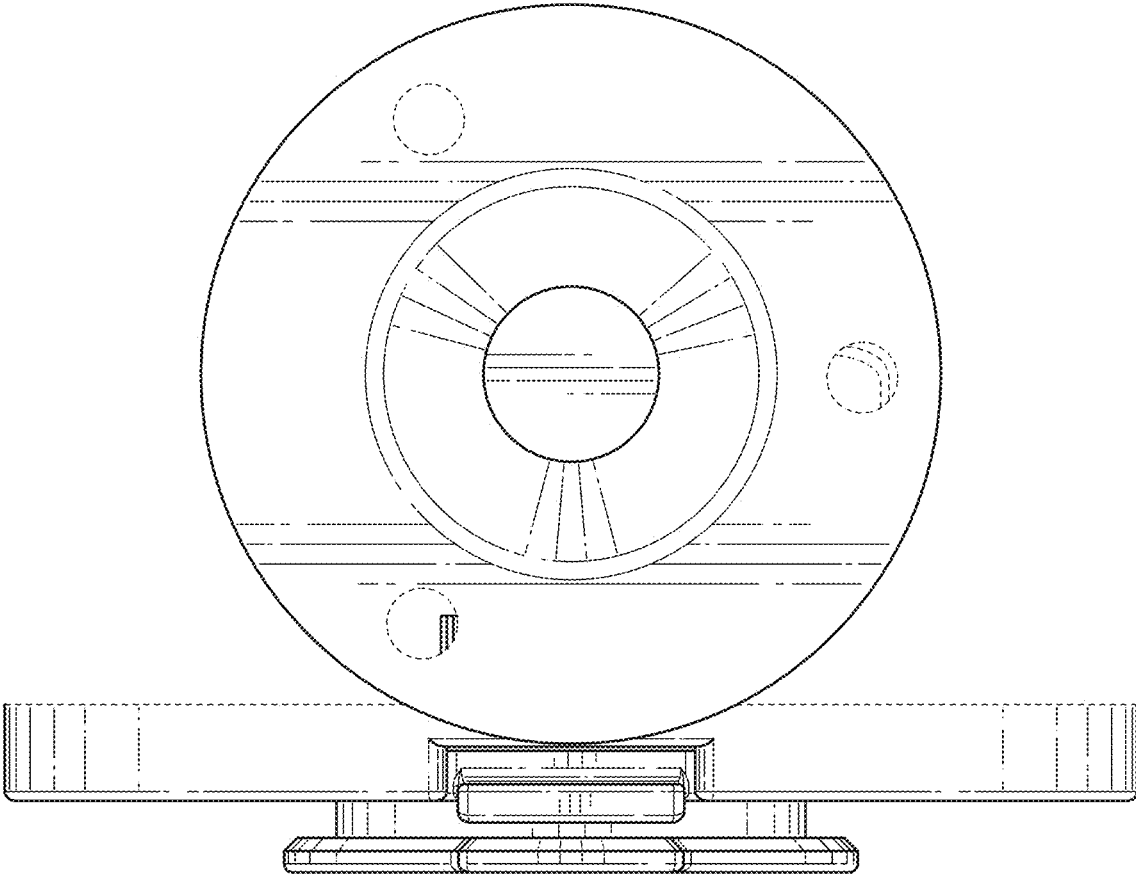


FIG. 9

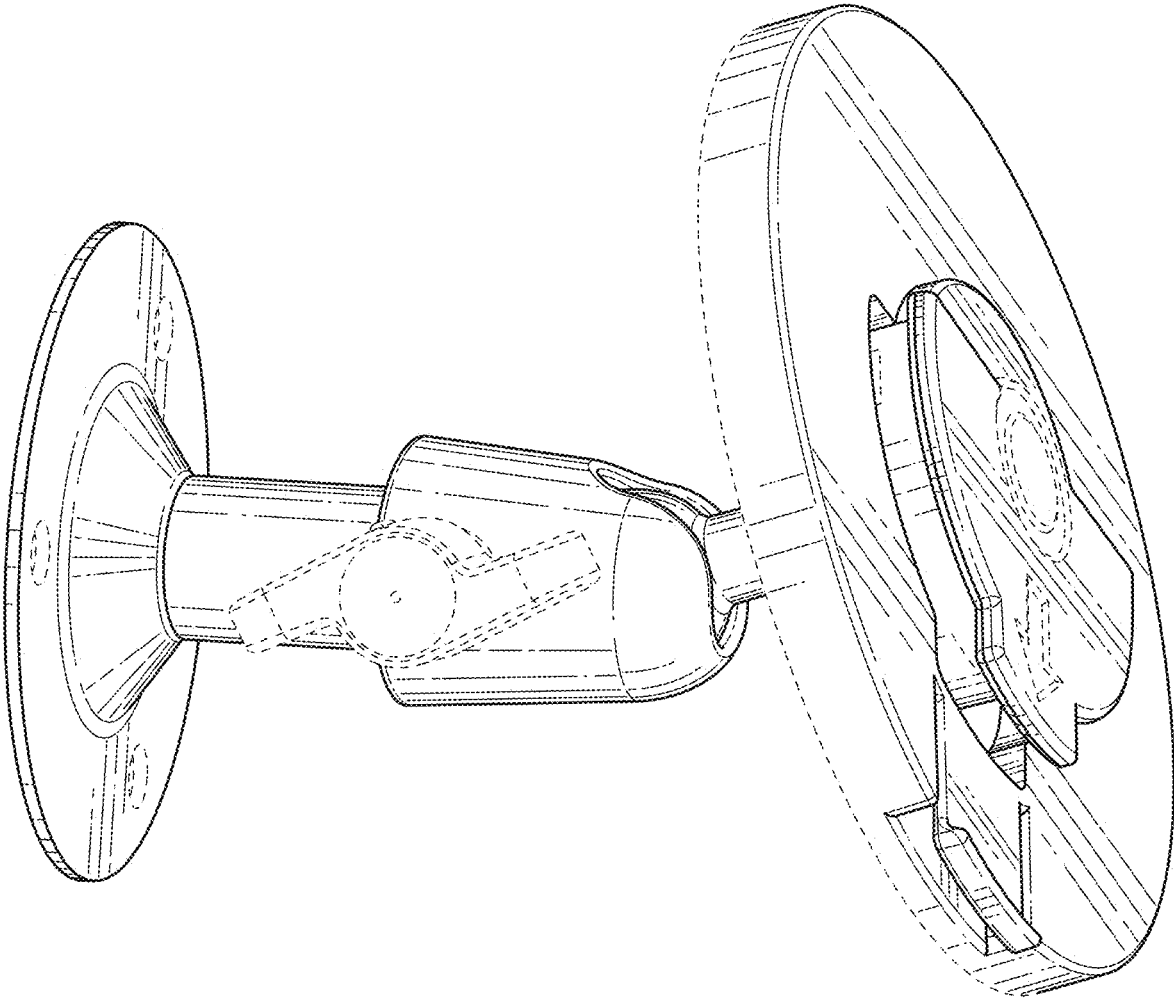


FIG. 10