

(19) World Intellectual Property Organization
International Bureau



(43) International Publication Date
8 September 2000 (08.09.2000)

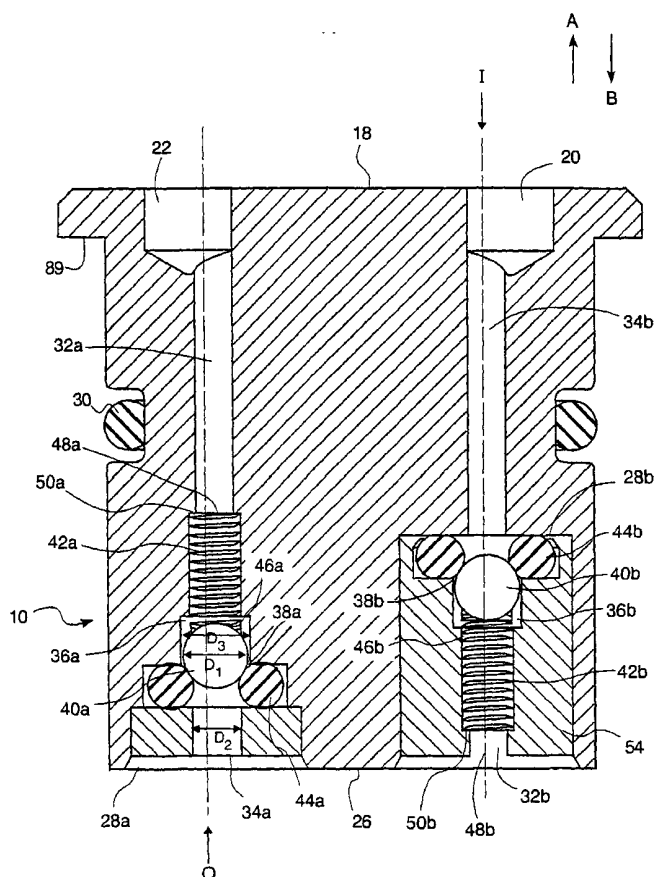
PCT

(10) International Publication Number
WO 00/52342 A3

- (51) International Patent Classification⁷: F16K 17/18 22903 (US). SCHNOEBELEN, William; 1404 Grace Street, Charlottesville, VA 22902 (US).
- (21) International Application Number: PCT/US00/05424
- (22) International Filing Date: 2 March 2000 (02.03.2000)
- (25) Filing Language: English
- (26) Publication Language: English
- (30) Priority Data:
09/260,914 2 March 1999 (02.03.1999) US
- (71) Applicant: DYAX CORPORATION [US/US]; One Kendall Square, Building 600, 5th floor, Cambridge, MA 02139 (US).
- (72) Inventors: VAN DAVELAAR, Peter, C.; 1861 Wicker Woods Drive, Maidens, VA 23102 (US). HORSMAN, Jeffrey, A.; 1033 Wintergreen Lane, Charlottesville, VA
- (74) Agent: BOOTH, William, E.; Fish & Richardson, P.C., 225 Franklin Street, Boston, MA 02110-2804 (US).
- (81) Designated States (*national*): AE, AL, AM, AT, AU, AZ, BA, BB, BG, BR, BY, CA, CH, CN, CR, CU, CZ, DE, DK, DM, EE, ES, FI, GB, GD, GE, GH, GM, HR, HU, ID, IL, IN, IS, JP, KE, KG, KP, KR, KZ, LC, LK, LR, LS, LT, LU, LV, MA, MD, MG, MK, MN, MW, MX, NO, NZ, PL, PT, RO, RU, SD, SE, SG, SI, SK, SL, TJ, TM, TR, TT, TZ, UA, UG, UZ, VN, YU, ZA, ZW.
- (84) Designated States (*regional*): ARIPO patent (GH, GM, KE, LS, MW, SD, SL, SZ, TZ, UG, ZW), Eurasian patent (AM, AZ, BY, KG, KZ, MD, RU, TJ, TM), European patent (AT, BE, CH, CY, DE, DK, ES, FI, FR, GB, GR, IE, IT, LU, MC, NL, PT, SE), OAPI patent (BF, BJ, CF, CG, CI, CM, GA, GN, GW, ML, MR, NE, SN, TD, TG).

[Continued on next page]

(54) Title: CHECK VALVE MODULE



(57) Abstract: A check valve module (10) includes two end surfaces (18, 26) and two check valves (40a, 40b). One check valve (40a) permits flow in only one direction between the two end surfaces (18, 26), the other check valve (40b) permits flow only in the other direction. Between the two end surfaces, a sealing ring (30) is provided on the outer surface of the module (10).



WO 00/52342 A3



Published:

— *With international search report.*

For two-letter codes and other abbreviations, refer to the "Guidance Notes on Codes and Abbreviations" appearing at the beginning of each regular issue of the PCT Gazette.

(88) Date of publication of the international search report:

18 January 2001

INTERNATIONAL SEARCH REPORT

International application No.
PCT/US00/05424

A. CLASSIFICATION OF SUBJECT MATTER

IPC(7) : F16K 17/18

US CL : 137/454.2, 493.8; 417/571

According to International Patent Classification (IPC) or to both national classification and IPC

B. FIELDS SEARCHED

Minimum documentation searched (classification system followed by classification symbols)

U.S. : 137/454.2, 493.8; 417/571, 569

Documentation searched other than minimum documentation to the extent that such documents are included in the fields searched

Electronic data base consulted during the international search (name of data base and, where practicable, search terms used)

C. DOCUMENTS CONSIDERED TO BE RELEVANT

Category*	Citation of document, with indication, where appropriate, of the relevant passages	Relevant to claim No.
X ---- Y	US 1,638,114 A (DUNLAP et al.) 09 August 1927, see page 1, lines 43-80.	1-2, 7-8, 14, 21-27 ----- 15-17, 20
X --- Y	US 5,011,382 A (THOMPSON) 30 April 1991, see col. 2, lines 14-38.	1-4, 8-14, 21, 23-24 ----- 5-6, 20, 22
Y	US 4,862,911 A (YIE) 05 September 1989, see col. 5, lines 1-18.	5-6, 22
Y	US 3,250,225 A (TAPLIN) 10 May 1966, see col. 2, line 64 to col. 3, line 15.	17

Further documents are listed in the continuation of Box C. See patent family annex.

* Special categories of cited documents:	*T*	later document published after the international filing date or priority date and not in conflict with the application but cited to understand the principle or theory underlying the invention
A document defining the general state of the art which is not considered to be of particular relevance	*X*	document of particular relevance, the claimed invention cannot be considered novel or cannot be considered to involve an inventive step when the document is taken alone
E earlier document published on or after the international filing date	*Y*	document of particular relevance, the claimed invention cannot be considered to involve an inventive step when the document is combined with one or more other such documents, such combination being obvious to a person skilled in the art
L document which may throw doubts on priority claim(s) or which is cited to establish the publication date of another citation or other special reason (as specified)	*&*	document member of the same patent family
O document referring to an oral disclosure, use, exhibition or other means		
P document published prior to the international filing date but later than the priority date claimed		

Date of the actual completion of the international search
18 APRIL 2000

Date of mailing of the international search report
21 AUG 2000

Name and mailing address of the ISA/US
Commissioner of Patents and Trademarks
Box PCT
Washington, D.C. 20231

Facsimile No. (703) 305-3230

Authorized officer

STEPHEN M. HEPERLE *Diane Smith for*

Telephone No. (703) 308-1051