



(12) **United States Design Patent**  
**Lim**

(10) **Patent No.:** **US D926,183 S**  
(45) **Date of Patent:** **\*\* Jul. 27, 2021**

(54) **TABLET COMPUTER**

FOREIGN PATENT DOCUMENTS

(71) Applicant: **Samsung Electronics Co., Ltd.**,  
Suwon-si (KR)

CN 201530569452 \* 6/2016  
CN 201630426639 \* 3/2017

(Continued)

(72) Inventor: **Seokjin Lim**, Suwon-si (KR)

OTHER PUBLICATIONS

(73) Assignee: **Samsung Electronics Co., Ltd.**,  
Suwon-si (KR)

Apple Orders Foldable Displays from Samsung, Sep. 10, 2020 [online], [retrieved Oct. 8, 2020], Retrieved from Internet, URL: <<https://www.iphonhacks.com/2020/09/apple-orders-foldable-displays-samsung-foldable-iphone-in-works.html>> (Year: 2020).\*

(Continued)

(\*\*) Term: **15 Years**

(21) Appl. No.: **29/691,416**

(22) Filed: **May 16, 2019**

*Primary Examiner* — Barbara Fox  
*Assistant Examiner* — Aram Kwon  
(74) *Attorney, Agent, or Firm* — NSIP Law

(30) **Foreign Application Priority Data**

(57) **CLAIM**

Nov. 23, 2018 (KR) ..... 30-2018-0054619

I claim the ornamental design for a tablet computer, as shown and described.

(51) **LOC (13) Cl.** ..... **14-02**

(52) **U.S. Cl.**  
USPC ..... **D14/345**; D14/341

**DESCRIPTION**

(58) **Field of Classification Search**

USPC ..... D14/125, 126, 127–137, 138 AA, D14/138 AB, 138 AC, 138 AD, 138 C, D14/138 G, 138 R, 147, 203.3–203.8, D14/218, 239, 240, 247, 248, 315–318, D14/341–347, 371, 374, 388–389, 420, D14/426, 496  
CPC .... G06F 1/1613; G06F 1/1626; G06F 3/0488; G06F 3/04886; H04M 1/725; H04M 1/0202; H04M 1/0266  
See application file for complete search history.

FIG. 1 is a front perspective view of a tablet computer showing my new design;  
FIG. 2 is a front view thereof;  
FIG. 3 is a rear view thereof;  
FIG. 4 is a left-side view thereof;  
FIG. 5 is a right-side view thereof;  
FIG. 6 is a top view thereof;  
FIG. 7 is a bottom view thereof;  
FIG. 8 is an enlarged view of the encircled portion in FIG. 1; and,  
FIG. 9 is an enlarged view of the encircled portion in FIG. 2.

(56) **References Cited**

U.S. PATENT DOCUMENTS

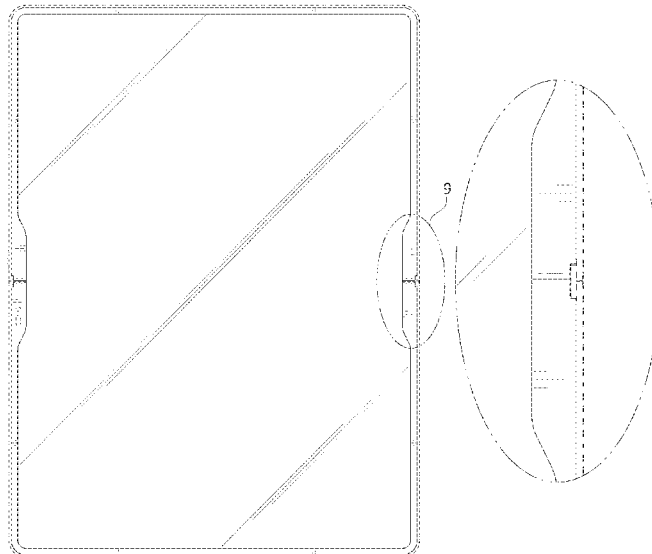
D669,480 S \* 10/2012 Piedra ..... D14/440  
D673,560 S \* 1/2013 Kim ..... D14/341

The short dash-dash broken lines in the figures depict portions of the tablet computer which form no part of the claimed design.

The dot-dot-dash broken lines encircling portions of the claimed design that are illustrated in enlargements form no part of the claimed design.

(Continued)

**1 Claim, 9 Drawing Sheets**



(56)

**References Cited**

## U.S. PATENT DOCUMENTS

D696,693 S \* 12/2013 Kim ..... D14/496  
D711,871 S \* 8/2014 Daniel ..... D14/341  
D715,052 S \* 10/2014 Fair ..... D3/301  
9,173,287 B1 \* 10/2015 Kim ..... G06F 1/1647  
D788,773 S \* 6/2017 Seo ..... D14/345  
D788,774 S \* 6/2017 Seo ..... D14/345  
D800,909 S \* 10/2017 Jones ..... D24/169  
D808,949 S \* 1/2018 Zuniga ..... D14/316  
D814,455 S \* 4/2018 Kwon ..... D14/341  
D819,628 S \* 6/2018 Park ..... D14/345  
D828,319 S \* 9/2018 Seo ..... D14/138 AB

## FOREIGN PATENT DOCUMENTS

CN 201730482683 \* 4/2018  
EM 003568690-0001 \* 1/2017  
JP D2012-15720 \* 12/2012  
KR 3020150034238 \* 2/2019

## OTHER PUBLICATIONS

Microsoft Windows 10X, Mar. 30, 2020 [online], [retrieved Oct. 8, 2020], Retrieved from Internet, URL: <<https://www.forbes.com/sites/moorinsights/2020/03/30/microsoft-windows-10x-will-spark-innovation-and-market-growth-for-foldable-devices/#54f85ed26b97>> (Year: 2020).\*

\* cited by examiner

FIG. 1

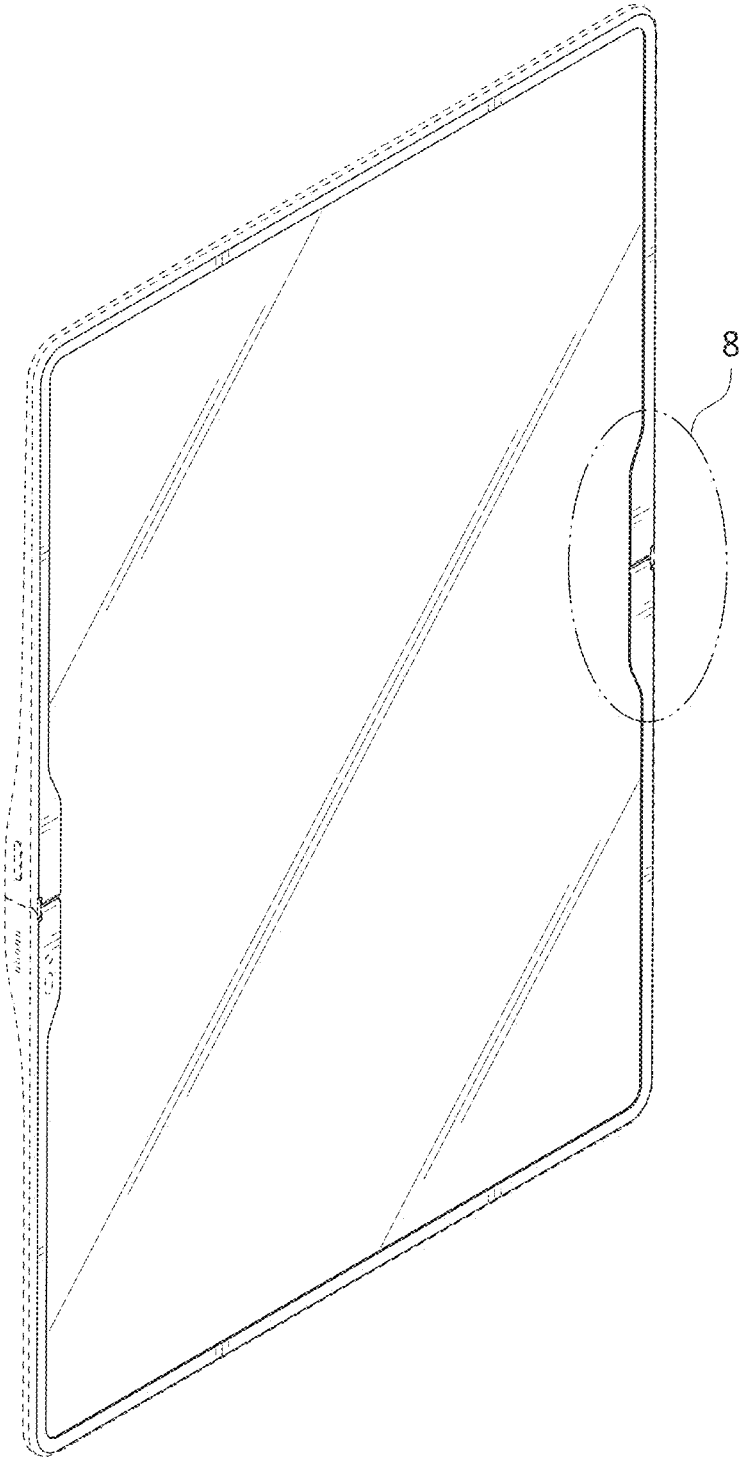


FIG. 2

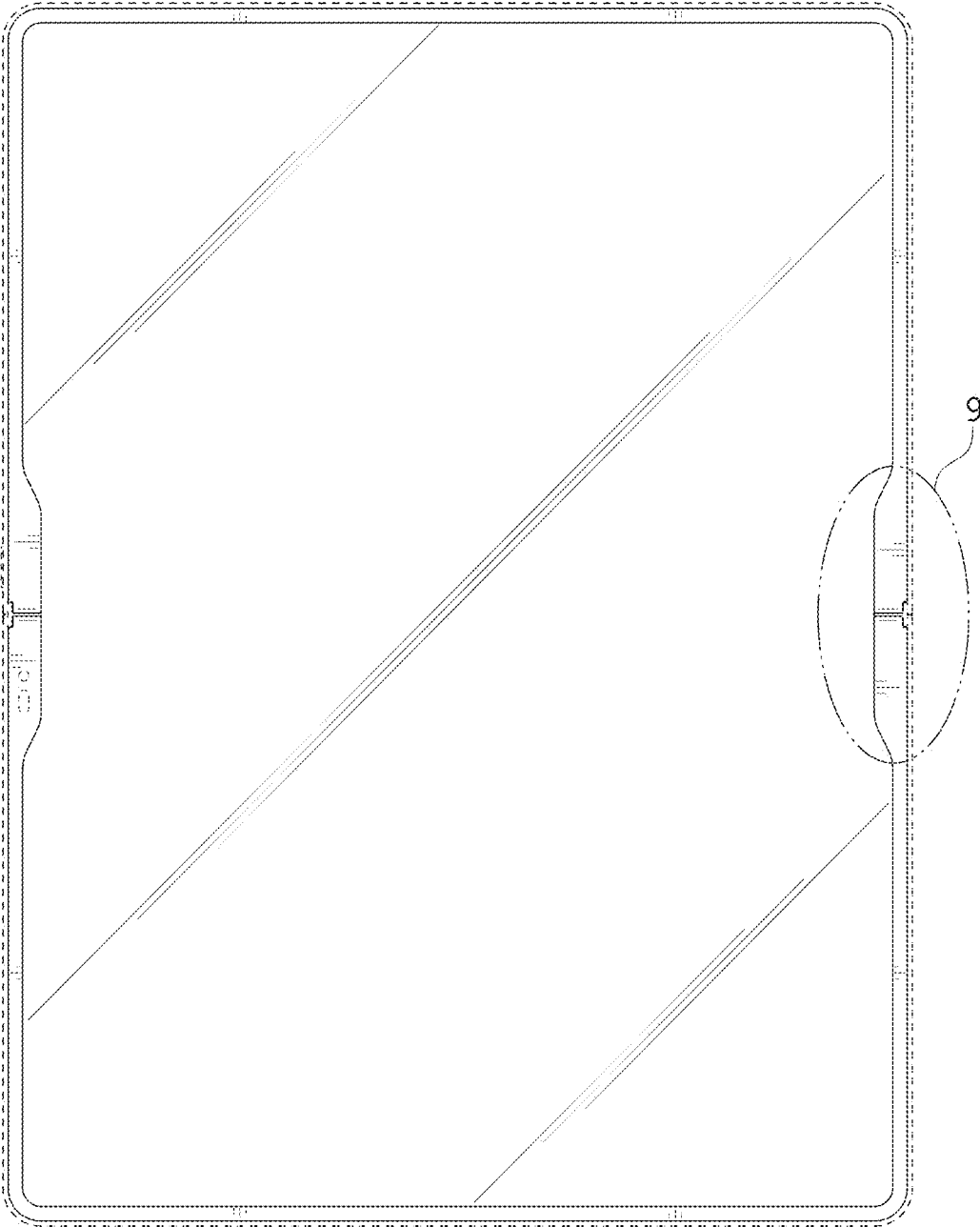


FIG. 3

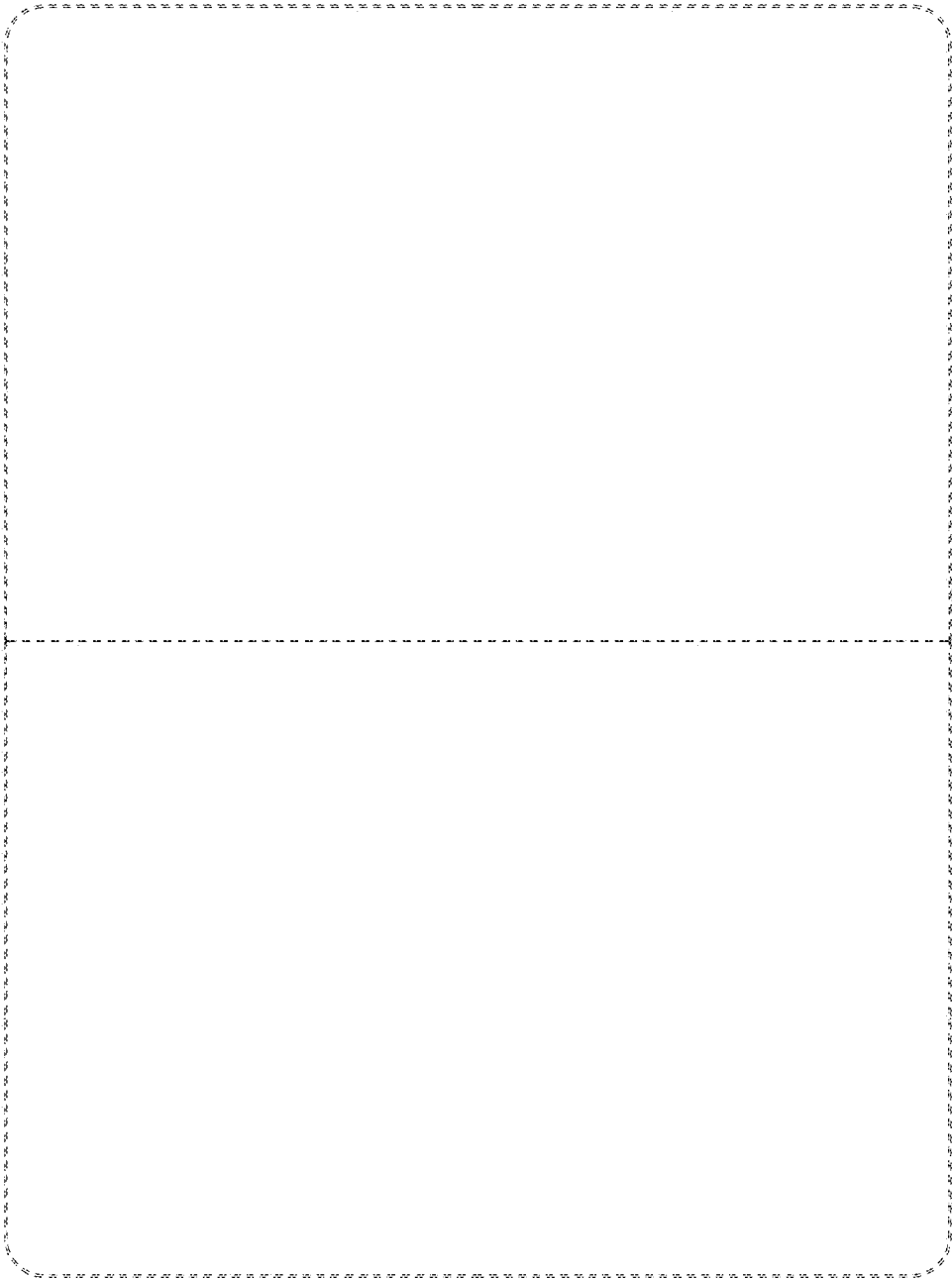


FIG. 4

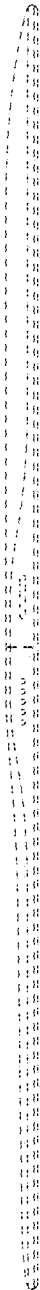


FIG. 5

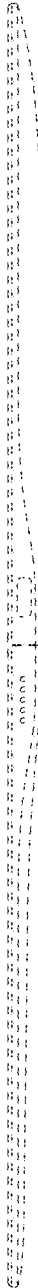


FIG. 6





FIG. 7

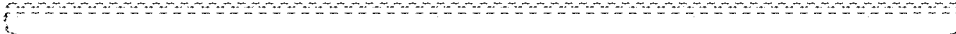


FIG. 8

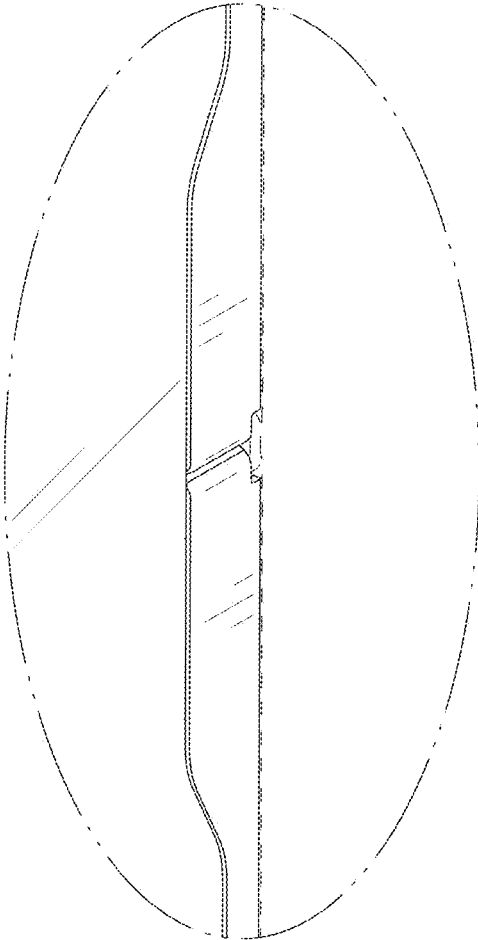


FIG. 9

