

(12) **United States Design Patent** (10) **Patent No.:** **US D899,919 S**
DeBoer et al. (45) **Date of Patent:** **** Oct. 27, 2020**

- (54) **FENESTRATION LATCH**
- (71) Applicant: **Marvin Lumber and Cedar Company, LLC**, Eagan, MN (US)
- (72) Inventors: **Nathan H. DeBoer**, Salol, MN (US); **Jacob Richard Lundquist**, Roseau, MN (US)
- (73) Assignee: **Marvin Lumber and Cedar Company, LLC**, Eagan, MN (US)
- (**) Term: **15 Years**
- (21) Appl. No.: **29/647,406**
- (22) Filed: **May 11, 2018**
- (51) **LOC (12) Cl.** **08-09**
- (52) **U.S. Cl.**
 USPC **D8/400**
- (58) **Field of Classification Search**
 USPC D8/354, 355, 373, 377, 380, 381, 400, D8/402, 499
 CPC E05C 17/34; E05C 17/04; E05C 17/32; E05F 5/06; E05F 11/16; E05D 15/46
 See application file for complete search history.

D409,079 S *	5/1999	Sobczynski	D8/354
D544,338 S *	6/2007	Christensen	D8/356
D821,554 S *	6/2018	Wilson	D23/323
D859,387 S *	9/2019	Chung	D14/250
2019/0178008 A1	6/2019	Deboer et al.	

OTHER PUBLICATIONS

“Majesta Double Hung”, Kolbe Windows & Doors © 2010 Kolbe & Kolbe Millwork Co., Inc., 8 pgs.
 “Canadian Application Serial No. 184,529, Office Action dated Sep. 7, 2019”, 2 pgs.
 “Canadian Application Serial No. 184,529, Response filed Dec. 6, 2019 to Office Action dated Sep. 7, 2019”, 13 pgs.

* cited by examiner

Primary Examiner — John Windmuller
 (74) *Attorney, Agent, or Firm* — Schwegman Lundberg & Woessner, P.A.

(57) **CLAIM**

The ornamental design for a fenestration latch, as shown and described.

DESCRIPTION

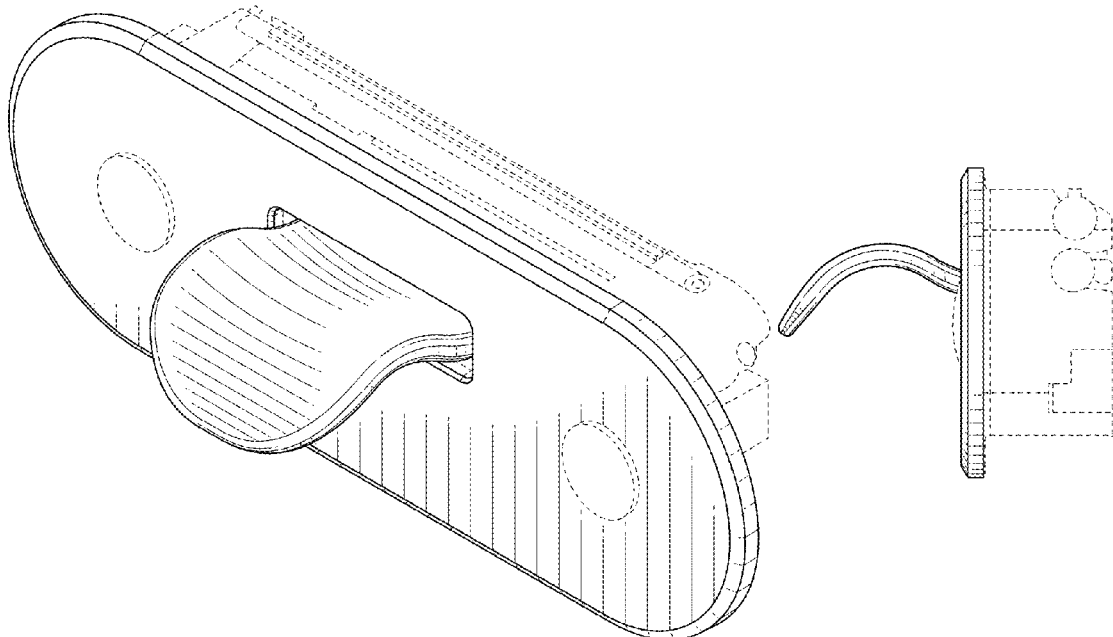
FIG. 1 is a first perspective view of a fenestration latch, showing the new design.
 FIG. 2 is a second perspective view of the fenestration latch of FIG. 1.
 FIG. 3 is a front view of the fenestration latch of FIG. 1.
 FIG. 4 is a back view of the fenestration latch of FIG. 1.
 FIG. 5 is a first side view of the fenestration latch of FIG. 1.
 FIG. 6 is a second side view of the fenestration latch of FIG. 1.
 FIG. 7 is a top view of the fenestration latch of FIG. 1; and, FIG. 8 is a bottom view of the fenestration latch of FIG. 1. The broken lines in the drawings depict portions of the fenestration latch that form no part of the claimed design.

1 Claim, 3 Drawing Sheets

(56) **References Cited**

U.S. PATENT DOCUMENTS

D29,233 S *	8/1898	Jonsson	D8/360
D31,088 S *	6/1899	Gardner	D8/400
D82,240 S *	10/1930	Ackerman	D8/400
D179,029 S *	10/1956	Nielsen	D8/400
D247,844 S *	5/1978	Palm, Jr.	D8/352
D288,290 S *	2/1987	Angle	D8/350
D296,761 S *	7/1988	Mockett	379/438
D305,727 S *	1/1990	Cunningham	D8/400
D358,980 S *	6/1995	Mockett	D8/356



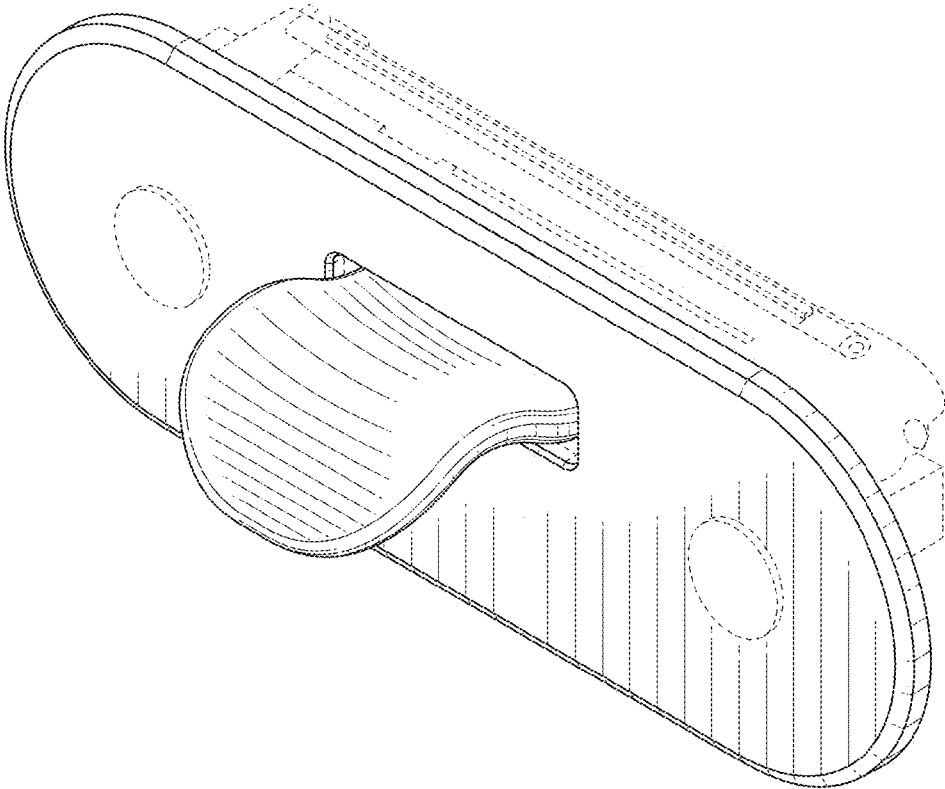


FIG. 1

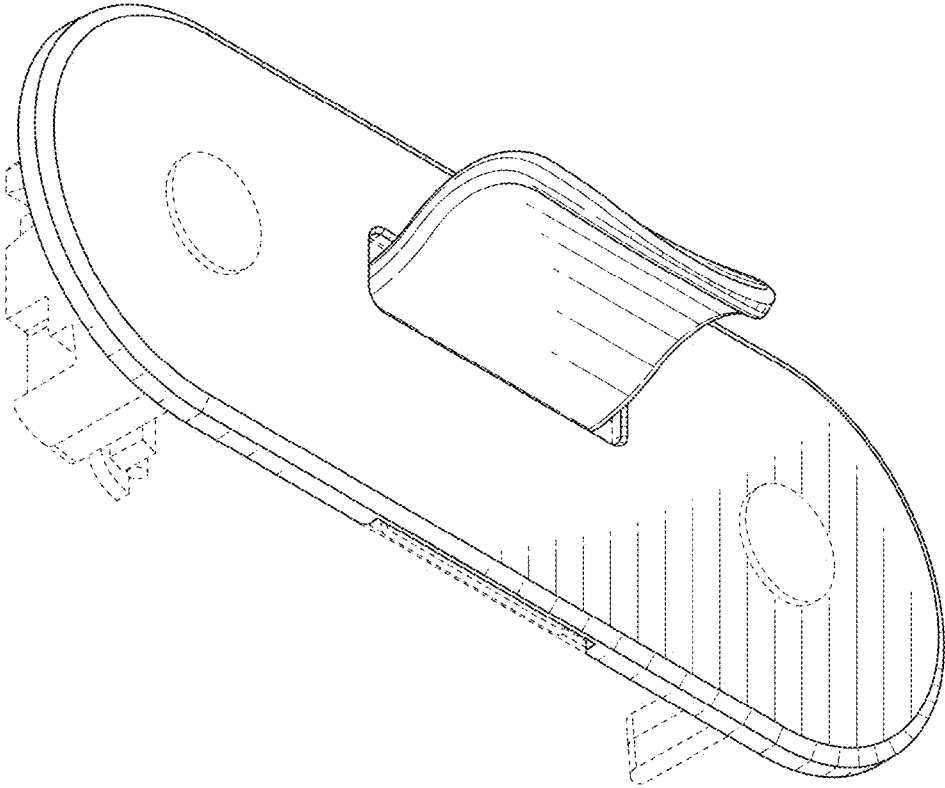


FIG. 2

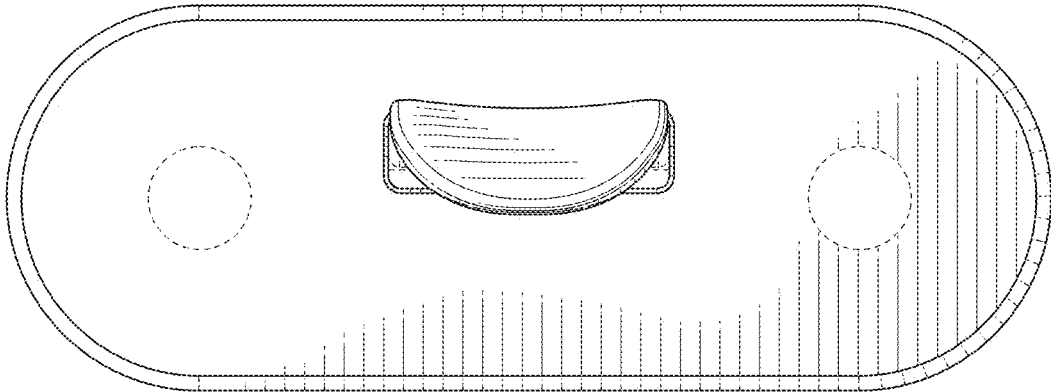


FIG. 3

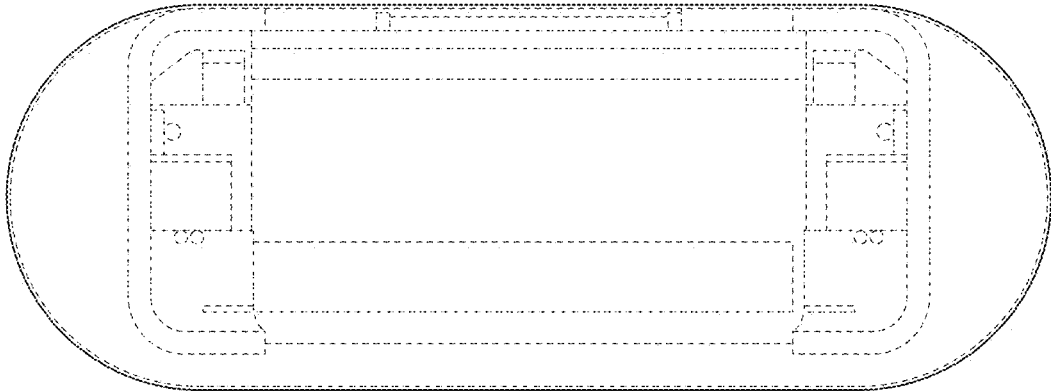


FIG. 4

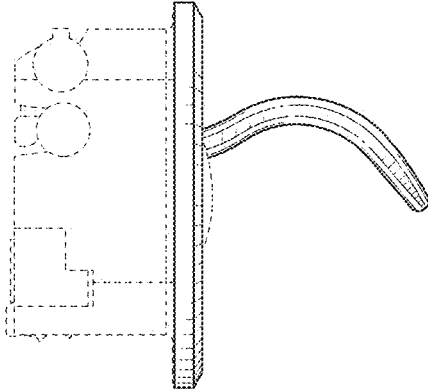


FIG. 5

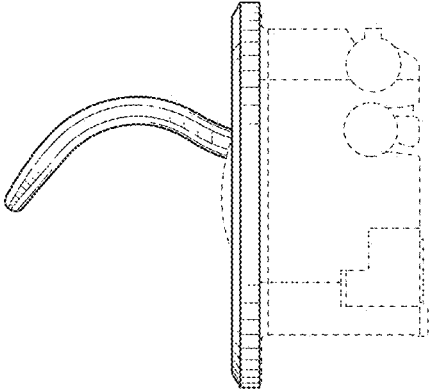


FIG. 6

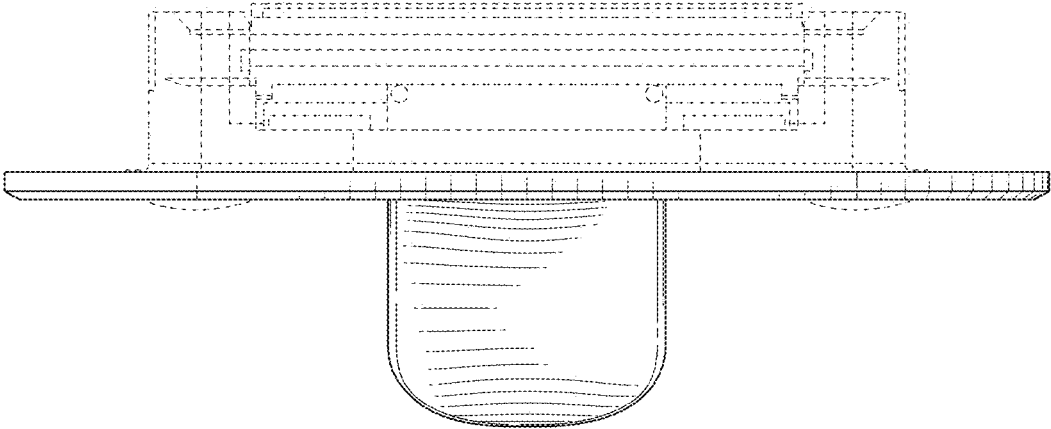


FIG. 7

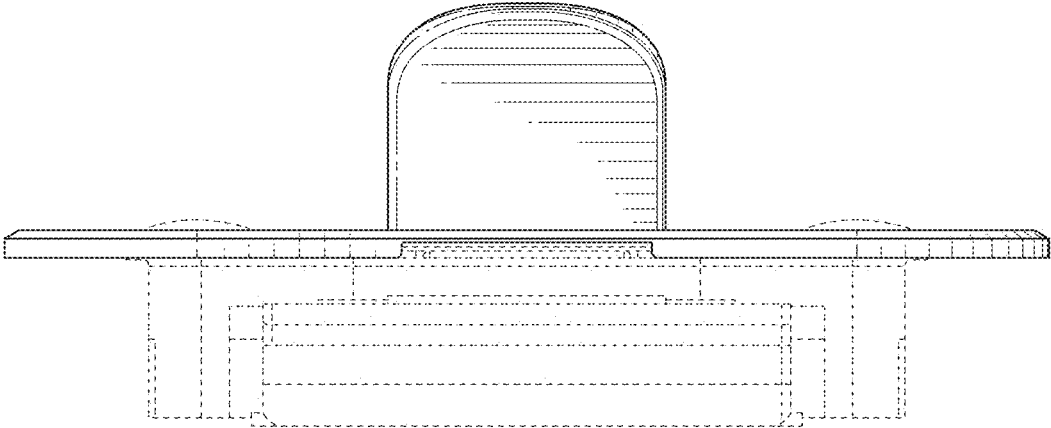


FIG. 8