



US00D828256S

(12) **United States Design Patent**
Zipfel

(10) **Patent No.:** **US D828,256 S**

(45) **Date of Patent:** **** Sep. 11, 2018**

- (54) **VEHICLE FENDER**
- (71) Applicant: **GM GLOBAL TECHNOLOGY OPERATIONS LLC**, Detroit, MI (US)
- (72) Inventor: **Carl J. Zipfel**, Oxford, MI (US)
- (73) Assignee: **GM GLOBAL TECHNOLOGY OPERATIONS LLC**, Detroit, MI (US)
- (**) Term: **15 Years**

D608,690 S	1/2010	Folden et al.	
D608,691 S	1/2010	Zak, Jr. et al.	
D609,608 S	2/2010	Boniface et al.	
D611,387 S	3/2010	Thompson et al.	
D611,879 S	3/2010	Kim et al.	
D612,297 S	3/2010	Peters et al.	
D613,645 S	4/2010	Song et al.	
D614,100 S *	4/2010	Williams	D12/184
D615,458 S	5/2010	Thompson et al.	
D618,595 S	6/2010	Ware et al.	
D623,090 S	9/2010	Cox et al.	
D626,045 S *	10/2010	Cogswell	D12/181
D627,262 S	11/2010	Ikeda et al.	
D635,488 S	4/2011	Phipps	
D644,147 S	8/2011	Suh et al.	
D644,567 S	9/2011	Kozub	
D657,718 S	4/2012	Zipfel et al.	
D659,052 S	5/2012	Ware et al.	

- (21) Appl. No.: **29/609,214**
- (22) Filed: **Jun. 29, 2017**
- (51) **LOC (11) Cl.** **12-16**
- (52) **U.S. Cl.**
USPC **D12/184**
- (58) **Field of Classification Search**
USPC D12/181, 90, 86, 82, 221, 196, 190, 184,
D12/177, 175, 99, 97, 96, 93, 92, 91, 101
CPC B62D 25/02; B62D 25/10; B62D 25/16;
B62D 25/18; B62D 25/162; B62D 25/105
See application file for complete search history.

(Continued)

Primary Examiner — Susan Bennett Hattan
Assistant Examiner — Jerry Shiuuan-Hua Hsu

(57) **CLAIM**

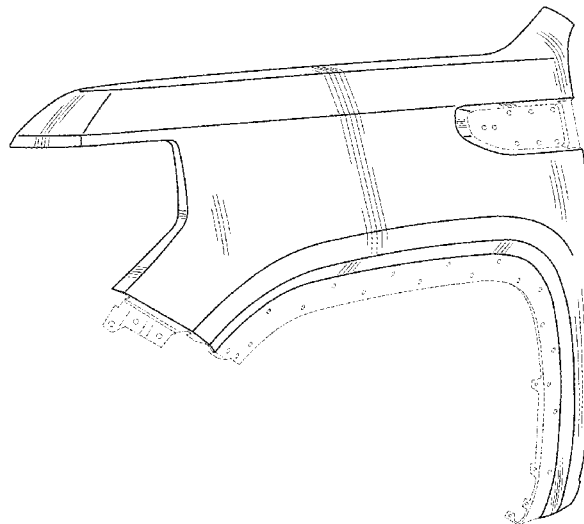
The ornamental design for a vehicle fender, as shown and described.

DESCRIPTION

FIG. 1 is a front and left perspective view of the vehicle fender according to the present disclosure; FIG. 2 is a top plan view thereof; FIG. 3 is a front elevation view thereof; and, FIG. 4 is a left end elevation view thereof. The second embodiment of the vehicle fender is a mirror image of the first embodiment disclosed in FIGS. 1 through 4 and is not shown. The broken lines shown in the drawings depict portions of the vehicle fender that form no part of the claimed design. The shade lines in the figures show contour and not surface ornamentation.

1 Claim, 2 Drawing Sheets

- (56) **References Cited**
U.S. PATENT DOCUMENTS
- D562,202 S * 2/2008 Tant D12/184
- D570,742 S 6/2008 Takagi et al.
- D592,105 S 5/2009 Dean et al.
- D597,447 S 8/2009 Folden
- D600,595 S 9/2009 Nakamura et al.
- D601,925 S 10/2009 O'Donnell
- D601,934 S * 10/2009 Ellis D12/184
- D603,755 S 11/2009 Peters
- D604,203 S 11/2009 O'Donnell
- D605,082 S 12/2009 Munson
- D605,083 S 12/2009 Manoogian, II et al.
- D605,977 S 12/2009 Zipfel et al.
- D605,978 S 12/2009 Wolff et al.
- D608,249 S 1/2010 Peters



(56)

References Cited

U.S. PATENT DOCUMENTS

D659,053 S	5/2012	Ware et al.	D750,001 S	2/2016	Thole et al.
D668,182 S	10/2012	Barba Franco et al.	D753,032 S	4/2016	Smith et al.
D668,183 S	10/2012	Smart	D753,033 S	4/2016	Thole et al.
D678,820 S	3/2013	Son et al.	D753,034 S	4/2016	Thole et al.
D678,821 S	3/2013	Ikeda et al.	D753,035 S	4/2016	Boniface et al.
D680,909 S	4/2013	Munson et al.	D753,559 S	4/2016	McMahan et al.
D680,910 S	4/2013	David	D753,560 S	4/2016	McMahan et al.
D684,899 S	6/2013	Baker	D753,567 S	4/2016	Boniface et al.
D686,536 S	7/2013	McCabe et al.	D754,571 S	4/2016	Boniface et al.
D692,798 S	11/2013	Thurber	D754,572 S	4/2016	McMahan et al.
D692,799 S	11/2013	Smith et al.	D755,088 S	5/2016	McMahan et al.
D696,157 S	12/2013	Loeb	D756,869 S	* 5/2016	McMahan D12/184
D699,629 S	2/2014	Ikeda et al.	D758,271 S	6/2016	McMahan et al.
D700,871 S	3/2014	O'Donnell et al.	D758,935 S	* 6/2016	Platto D12/184
D703,103 S	4/2014	Lee	D762,538 S	* 8/2016	Platto D12/184
D704,103 S	5/2014	Mack et al.	D764,975 S	8/2016	Aengenheyster
D705,132 S	5/2014	Ware et al.	D764,976 S	8/2016	Aengenheyster
D705,699 S	5/2014	Ware et al.	D767,449 S	9/2016	Pevovar et al.
D713,298 S	9/2014	Dyson	D767,450 S	9/2016	Lee et al.
D713,764 S	9/2014	Ferlazzo et al.	D767,451 S	9/2016	Kozub et al.
D716,696 S	11/2014	Thole et al.	D767,454 S	9/2016	McMahan et al.
D716,706 S	11/2014	Thole et al.	D767,458 S	9/2016	Kim
D716,709 S	* 11/2014	Thole D12/184	D767,459 S	9/2016	Kim
D717,696 S	11/2014	Thole et al.	D767,460 S	9/2016	Kozub et al.
D718,189 S	11/2014	Krieg et al.	D767,461 S	9/2016	Kozub et al.
D718,683 S	12/2014	Thole et al.	D769,162 S	* 10/2016	Rodriguez D12/184
D721,314 S	* 1/2015	Platto D12/184	D771,528 S	11/2016	Smith et al.
D722,282 S	2/2015	Loeb	D771,529 S	11/2016	Thole et al.
D722,533 S	2/2015	Thole et al.	D771,532 S	11/2016	Kapitonov
D722,534 S	2/2015	Munson et al.	D771,533 S	11/2016	Kapitonov
D724,510 S	3/2015	McMahan et al.	D772,766 S	11/2016	Kozub et al.
D725,001 S	3/2015	McMahan et al.	D772,767 S	11/2016	Kim
D726,591 S	4/2015	Jacob	D773,084 S	11/2016	Kapitonov
D730,776 S	6/2015	Smart	D773,086 S	11/2016	McCabe et al.
D730,783 S	6/2015	Henriques et al.	D773,971 S	* 12/2016	Wheel D12/196
D732,427 S	6/2015	Loeb	D774,226 S	12/2016	McCabe et al.
D732,429 S	6/2015	Loeb	D775,003 S	12/2016	Pevovar et al.
D732,430 S	6/2015	Loeb	D775,007 S	12/2016	Thole et al.
D732,431 S	6/2015	Loeb	D775,010 S	12/2016	Kim et al.
D732,432 S	6/2015	Aengenheyster	D775,049 S	12/2016	Scheer et al.
D732,433 S	6/2015	Aengenheyster	D775,549 S	1/2017	Karras
D732,435 S	6/2015	Mackay	D775,554 S	1/2017	Kapitonov
D733,002 S	6/2015	Loeb	D776,020 S	1/2017	Kapitonov
D735,611 S	8/2015	Aengenheyster et al.	D776,581 S	1/2017	Pevovar et al.
D735,627 S	8/2015	Smith et al.	D776,583 S	1/2017	Scheer et al.
D736,451 S	8/2015	Smith et al.	D776,841 S	1/2017	Kozub et al.
D739,306 S	9/2015	McMahan et al.	D776,843 S	1/2017	McCabe et al.
D739,317 S	9/2015	McMahan et al.	D776,846 S	1/2017	Willett et al.
D741,223 S	10/2015	Kim et al.	D777,359 S	1/2017	Kozub et al.
D743,309 S	11/2015	Thole et al.	D777,360 S	1/2017	Kozub et al.
D743,313 S	11/2015	Smith et al.	D777,361 S	1/2017	Kozub et al.
D743,314 S	11/2015	Thole et al.	D777,604 S	1/2017	McNerney
D743,857 S	11/2015	McMahan et al.	D777,605 S	1/2017	Ferlazzo et al.
D744,158 S	11/2015	Willett et al.	D777,620 S	1/2017	Pevovar et al.
D745,086 S	12/2015	Finos et al.	D777,621 S	1/2017	Kim
D745,719 S	12/2015	Boniface et al.	D777,622 S	1/2017	Kozub et al.
D745,725 S	12/2015	McMahan et al.	D777,628 S	1/2017	Kozub et al.
D745,726 S	12/2015	McMahan et al.	D777,955 S	1/2017	Willett et al.
D745,837 S	12/2015	Smith et al.	D778,212 S	2/2017	Kozub et al.
D746,726 S	1/2016	Smith et al.	D778,215 S	2/2017	Kozub et al.
D746,727 S	1/2016	Smith et al.	D780,064 S	2/2017	Smith et al.
D746,728 S	1/2016	Smith et al.	D780,067 S	2/2017	Zipfel et al.
D746,729 S	1/2016	Boniface et al.	D780,068 S	2/2017	Whitla et al.
D746,730 S	1/2016	Kim et al.	D780,077 S	2/2017	Kim et al.
D747,514 S	1/2016	McMahan et al.	D780,081 S	2/2017	Lee
D747,515 S	1/2016	McMahan et al.	D780,084 S	2/2017	Scheer et al.
D747,819 S	1/2016	Thole et al.	D780,631 S	3/2017	Kozub et al.
D749,021 S	2/2016	Boniface et al.	D780,644 S	3/2017	Kim et al.
D749,026 S	2/2016	Smith et al.	D781,184 S	3/2017	Thole et al.
D749,027 S	* 2/2016	McMahan D12/184	D781,192 S	3/2017	Kozub et al.
D749,246 S	2/2016	Thole et al.	D782,379 S	3/2017	Wassell
D749,249 S	2/2016	Thole et al.	D783,482 S	4/2017	Smith et al.
D749,250 S	2/2016	Thole et al.	D784,213 S	4/2017	Karras
D749,985 S	2/2016	Kozub et al.	D784,223 S	4/2017	Lee
D749,997 S	2/2016	McMahan et al.	D784,226 S	4/2017	Cheng
			D784,579 S	4/2017	Cheng et al.
			D784,877 S	4/2017	Lee
			D784,886 S	4/2017	Smith et al.
			D785,521 S	5/2017	Smith et al.

(56)

References Cited

U.S. PATENT DOCUMENTS

D786,149 S	5/2017	Pevovar et al.	
D786,743 S	5/2017	Smith et al.	
D786,750 S	5/2017	Lee	
D787,446 S	5/2017	Cockerill	
D787,984 S	5/2017	Fang	
D787,988 S	5/2017	Lee	
D787,989 S	5/2017	Kozub et al.	
D787,990 S	5/2017	Kozub et al.	
D787,992 S	5/2017	Lee	
D787,993 S	5/2017	McCabe et al.	
D788,001 S	5/2017	Lee	
D788,641 S	6/2017	Arnold	
D788,644 S	6/2017	Mueller	
D788,645 S	6/2017	Mueller	
D789,250 S	6/2017	Arnold	
D789,260 S	6/2017	Smith	
D789,575 S	6/2017	Willett	
D789,841 S	6/2017	Lee	
D789,849 S	6/2017	Lee	
2015/0251614 A1*	9/2015	Bokseveld	B62D 25/105 293/155

* cited by examiner

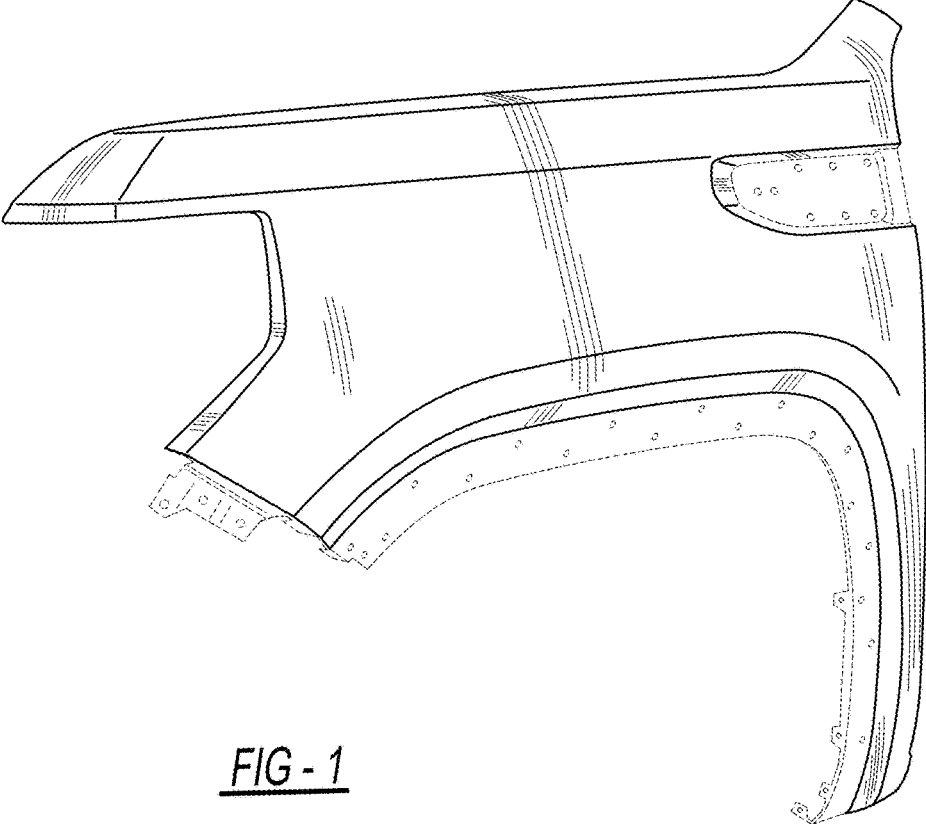


FIG - 1

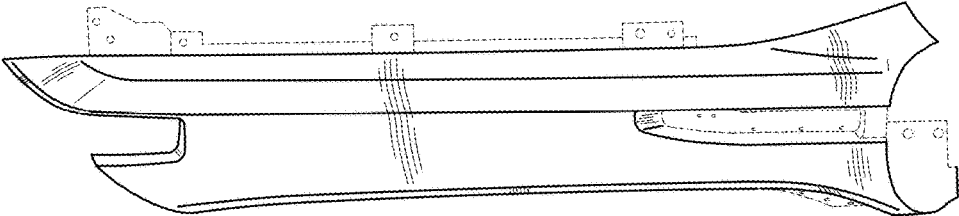


FIG - 2

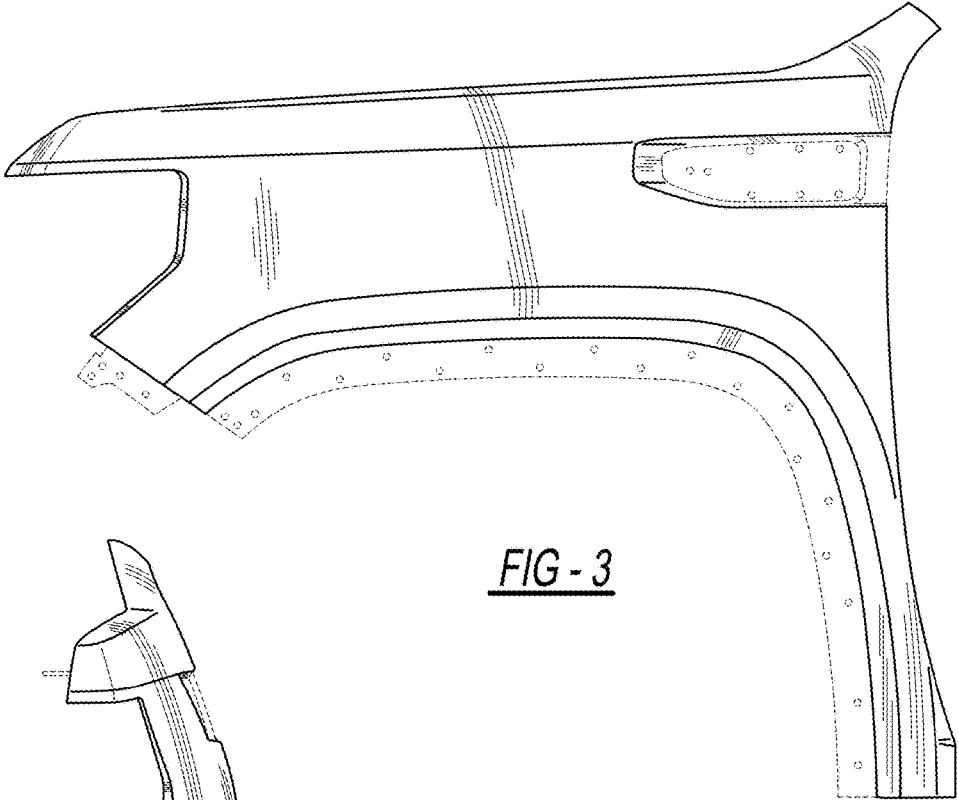


FIG - 3

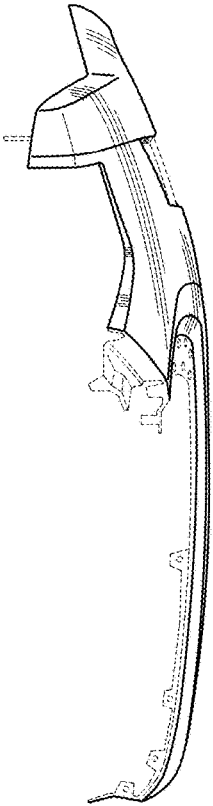


FIG - 4