



US00D989946S

(12) **United States Design Patent**  
**Yokoi**

(10) **Patent No.:** **US D989,946 S**

(45) **Date of Patent:** **\*\* \*Jun. 20, 2023**

(54) **SANITARY MASK**

4,796,621 A 1/1989 Barle et al.  
4,802,473 A 2/1989 Hubbard et al.  
4,941,470 A 7/1990 Hubbard et al.  
4,944,294 A 7/1990 Borek

(71) Applicant: **Shirohato Co., Ltd.**, Aichi (JP)

(72) Inventor: **Takanao Yokoi**, Aichi (JP)

(Continued)

(73) Assignee: **Shirohato Co., Ltd.**, Aichi (JP)

**FOREIGN PATENT DOCUMENTS**

(\* ) Notice: This patent is subject to a terminal disclaimer.

JP 1500313 S 6/2014  
JP 1500314 S 6/2014

(Continued)

(\*\*) Term: **15 Years**

**OTHER PUBLICATIONS**

(21) Appl. No.: **35/513,240**

International Designs Bulletin of International Design Registration  
No. DM/212395 filed Nov. 25, 2020.

(22) Filed: **Jun. 21, 2021**

(Continued)

(80) **Hague Agreement Data**

Int. Filing Date: **Jun. 21, 2021**  
Int. Reg. No.: **DM/215113**  
Int. Reg. Date: **Jun. 21, 2021**  
Int. Reg. Pub. Date: **Dec. 24, 2021**

*Primary Examiner* — Rhea Shields  
(74) *Attorney, Agent, or Firm* — Kim IP Law Group LLC

(57) **CLAIM**

The ornamental design for a sanitary mask, as shown and described.

(30) **Foreign Application Priority Data**

Dec. 23, 2020 (JP) ..... 2020-027899

(51) **LOC (14) Cl.** ..... **29-02**

(52) **U.S. Cl.**  
USPC ..... **D24/110.1**

(58) **Field of Classification Search**  
USPC ..... D24/110.1, 110.2, 110.4, 110.5, 162;  
D29/108  
CPC ..... A41D 13/1107; A41D 13/1115; A41D  
13/1161

See application file for complete search history.

**DESCRIPTION**

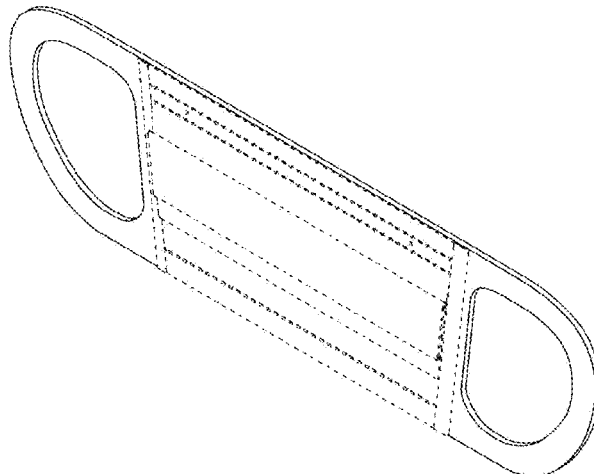
1. Sanitary mask  
**1.1** is a front view of a sanitary mask in accordance with the new design;  
**1.2** is a left side view of the sanitary mask of **1.1**;  
**1.3** is a right side view of the sanitary mask of **1.1**;  
**1.4** is a rear view of the sanitary mask of **1.1**;  
**1.5** is a top view of the sanitary mask of **1.1**;  
**1.6** is a bottom view of the sanitary mask of **1.1**;  
**1.7** is a perspective view of the sanitary mask of **1.1**;  
**1.8** is an enlarged cross-sectional view of the sanitary mask of **1.1**; and  
**1.9** shows the sanitary mask in an environment.  
The broken lines indicate portions of the sanitary mask that form no part of the claimed design; the enlarged cross-sectional view is sectioned vertically at the center of the front view.

(56) **References Cited**

**U.S. PATENT DOCUMENTS**

D224,277 S \* 7/1972 Venaleck ..... D24/110.1  
4,084,585 A \* 4/1978 Venaleck ..... A41D 13/1161  
128/206.13  
D271,059 S \* 10/1983 McKelvy ..... D24/110.1  
4,653,124 A 3/1987 McNeal et al.

**1 Claim, 9 Drawing Sheets**



(56)

## References Cited

## U.S. PATENT DOCUMENTS

5,020,533	A	6/1991	Hubbard et al.	JP	1587232	S	10/2017
5,035,006	A	7/1991	Hetz et al.	JP	1594967	S	1/2018
D319,111	S	8/1991	Sandel et al.	JP	1636931	S	7/2019
D327,141	S	6/1992	Hubbard et al.	JP	1650664	S	1/2020
5,150,703	A	9/1992	Hubbard et al.	JP	1663712	S	7/2020
5,383,450	A	1/1995	Hubbard et al.	JP	1663797	S	7/2020
D355,485	S	2/1995	Hubbard et al.	JP	1664752	S	7/2020
D355,714	S *	2/1995	Hubbard ..... D24/110.2	JP	1664753	S	7/2020
D355,715	S	2/1995	Hubbard et al.	JP	1664829	S	7/2020
D366,697	S	1/1996	Drummond	JP	1665465	S	8/2020
D380,545	S *	7/1997	Nozaki ..... D24/110.2	JP	1665466	S	8/2020
5,704,349	A	1/1998	Hubbard et al.	JP	1665732	S	8/2020
5,717,991	A	2/1998	Nozaki et al.	JP	1669269	S	9/2020
5,765,556	A	6/1998	Brunson	JP	1669270	S	9/2020
6,026,511	A	2/2000	Baumann et al.	JP	1669271	S	9/2020
6,886,559	B2	5/2005	McDonald et al.	JP	1669687	S	10/2020
D519,208	S	4/2006	Wolfe	JP	1669771	S	10/2020
D666,776	S	9/2012	Shim	JP	1670014	S	10/2020
8,261,375	B1	9/2012	Reaux	JP	1670402	S	10/2020
D677,779	S	3/2013	Turdjian et al.	JP	1670403	S	10/2020
D684,322	S	6/2013	Shim	JP	1670708	S	10/2020
D693,062	S *	11/2013	Bowen ..... D29/108	JP	1670908	S	10/2020
D803,391	S *	11/2017	Reese ..... D24/110.1	JP	1670909	S	10/2020
D827,936	S	9/2018	Jung	JP	1670934	S	10/2020
10,357,069	B2 *	7/2019	Tuan ..... A41D 13/1107	JP	1670934	S	10/2020
D877,887	S	3/2020	Kelly et al.	JP	1671169	S	10/2020
D905,351	S *	12/2020	Zheng ..... D29/108	JP	1671354	S	11/2020
D906,597	S *	12/2020	Wilson ..... D29/108	JP	1671509	S	11/2020
D910,929	S *	2/2021	Won ..... D29/108	JP	1671625	S	11/2020
D928,936	S *	8/2021	Zeng ..... D24/110.1	JP	1671637	S	11/2020
D936,906	S *	11/2021	Xin ..... D29/108	JP	1671863	S	11/2020
D950,707	S *	5/2022	Coates ..... D29/108	JP	1671967	S	11/2020
D954,937	S *	6/2022	An ..... D29/108	JP	1671972	S	11/2020
D955,055	S *	6/2022	Rademacher ..... D29/108	JP	1671997	S	11/2020
D958,322	S *	7/2022	Conley ..... D24/110.4	JP	1672235	S	11/2020
D961,762	S *	8/2022	Maggio ..... D24/110.1	JP	1672236	S	11/2020
D961,775	S *	8/2022	Yoon ..... D24/162	JP	1672324	S	11/2020
D963,838	S *	9/2022	Yoon ..... D29/108	JP	1672920	S	11/2020
D964,548	S *	9/2022	Rookard ..... D29/108	JP	1673010	S	11/2020
D964,658	S *	9/2022	McGinnis ..... D29/108	JP	1674318	S	12/2020
2004/0231023	A1	11/2004	Huang	JP	1674865	S	12/2020
2010/0319701	A1	12/2010	Connell	JP	1675341	S	12/2020
2010/0326444	A1	12/2010	Shim	JP	1675458	S	12/2020
2013/0186414	A1	7/2013	Suzuki et al.	WO	WO2021200560	A1	10/2021
2014/0326255	A1 *	11/2014	Teng ..... A41D 13/1115 128/863	WO	WO2021261321	A1	12/2021
2018/0280739	A1	10/2018	Charumethee	WO	WO2022044597	A1	3/2022
2019/0125011	A1	5/2019	Eisenbrey et al.				
2021/0068480	A1	3/2021	Ito				

## FOREIGN PATENT DOCUMENTS

JP	1513315	S	12/2014
JP	2016-137119	A2	8/2016
JP	1558559	S	9/2016

## OTHER PUBLICATIONS

International Registration Certificate of International Design Registration No. DM/212395 filed Nov. 25, 2020.

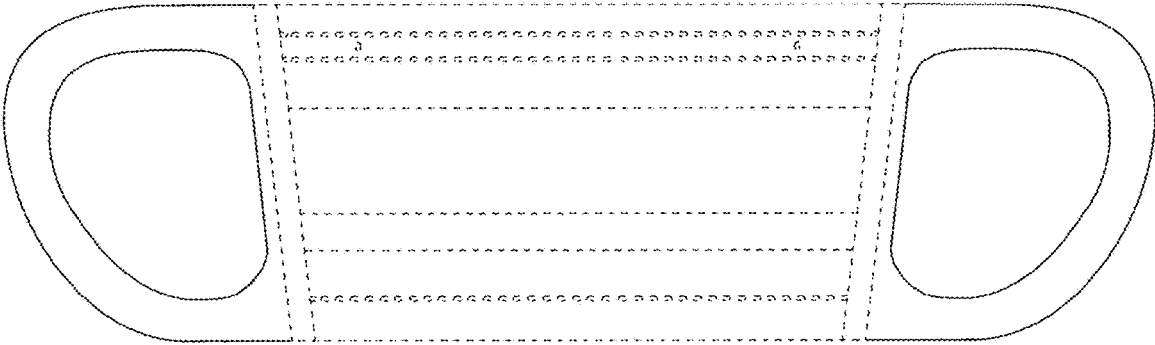
Website <https://andmask.com/> accessed on Nov. 16, 2020.

Filing documents of International Design Registration No. DM/212395 filed Nov. 25, 2020.

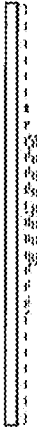
English translation of Office Action in counterpart Korean International Design Application No. DM/215113, dated Nov. 10, 2022. "Andmask\_official" Instagram Post dated Nov. 16, 2020.

\* cited by examiner

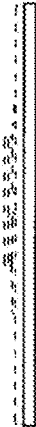
1.1



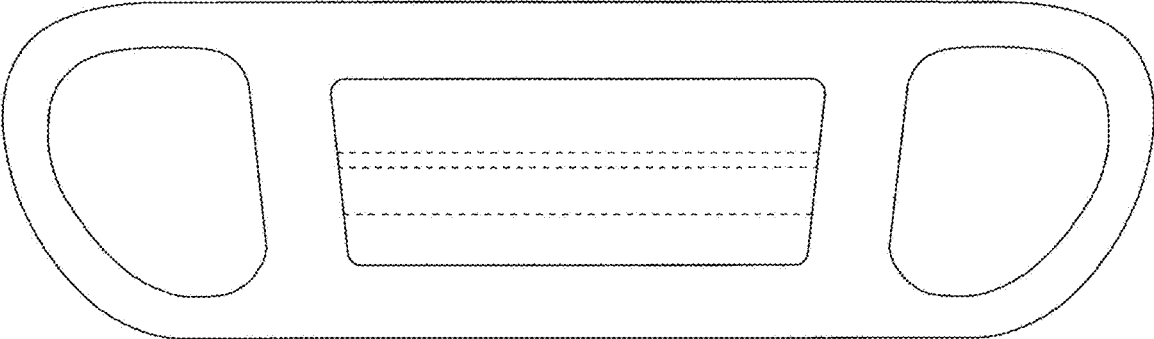
1.2



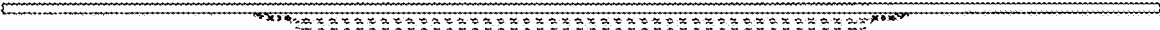
1.3



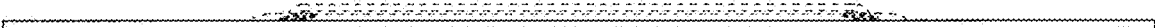
1.4



1.5

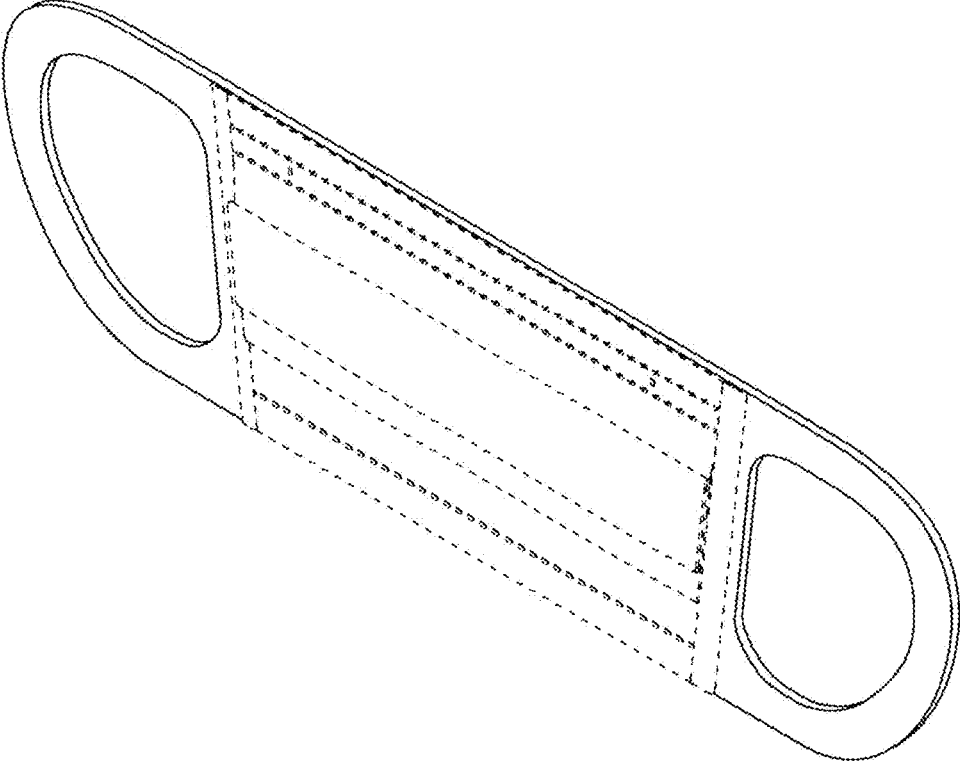


1.6

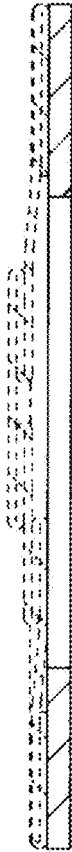




1.7



1.8



1.9

