



US00D941144S

(12) **United States Design Patent**  
**Kvam**

(10) **Patent No.:** **US D941,144 S**  
(45) **Date of Patent:** **\*\* Jan. 18, 2022**

- (54) **PACKAGING CONTAINER BLANK**
- (71) Applicant: **Elopak AS, Spikkestad (NO)**
- (72) Inventor: **Gerd Unni Kvam, Hokksund (NO)**
- (\*\*) Term: **15 Years**
- (21) Appl. No.: **35/509,772**
- (22) Filed: **Jan. 10, 2020**
- (80) **Hague Agreement Data**  
 Int. Filing Date: **Jan. 10, 2020**  
 Int. Reg. No.: **DM/206840**  
 Int. Reg. Date: **Jan. 10, 2020**  
 Int. Reg. Pub. Date: **Jul. 10, 2020**
- (51) **LOC (13) Cl.** ..... **09-03**
- (52) **U.S. Cl.**  
USPC ..... **D9/433**
- (58) **Field of Classification Search**  
 USPC ..... D9/414, 416-417, 429, 430-433  
 CPC ..... B65D 5/067; B65D 2571/0066; B65D  
 5/4266; B65D 15/22; B65D 2571/0029;  
 B65D 75/5855; B65D 77/065; B65D  
 5/708  
 See application file for complete search history.

5,938,107	A *	8/1999	Anchor	.....	B65D 5/064
					229/109
D717,167	S *	11/2014	Stone	.....	D9/433
D717,647	S *	11/2014	De Pietri Tonelli	.....	D9/433
D720,214	S *	12/2014	De Pietri Tonelli	.....	D9/433
D721,957	S *	2/2015	Scales	.....	D9/433
2008/0240628	A1 *	10/2008	VanLoocke	.....	B65D 75/5855
					383/210
2010/0012711	A1 *	1/2010	Paulen	.....	B65D 5/029
					229/248
2015/0102095	A1 *	4/2015	Wong	.....	B31B 50/88
					229/125.42
2015/0166215	A1 *	6/2015	DiRico	.....	B65D 5/708
					229/123.1
2017/0073102	A1 *	3/2017	Borasi	.....	B65B 3/025
2019/0047744	A1 *	2/2019	Dahan	.....	B65D 5/4275
2020/0207055	A1 *	7/2020	Wirtz	.....	B65B 3/04
2020/0216247	A1 *	7/2020	Barran	.....	B65D 75/5838
2020/0317390	A1 *	10/2020	Leufstedt	.....	B65D 5/064
2021/0147110	A1 *	5/2021	Nakamura	.....	B65D 5/4266
2021/0178348	A1 *	6/2021	Sasso	.....	B65D 5/48016

\* cited by examiner

Primary Examiner — Michael A. Pratt

(57) **CLAIM**

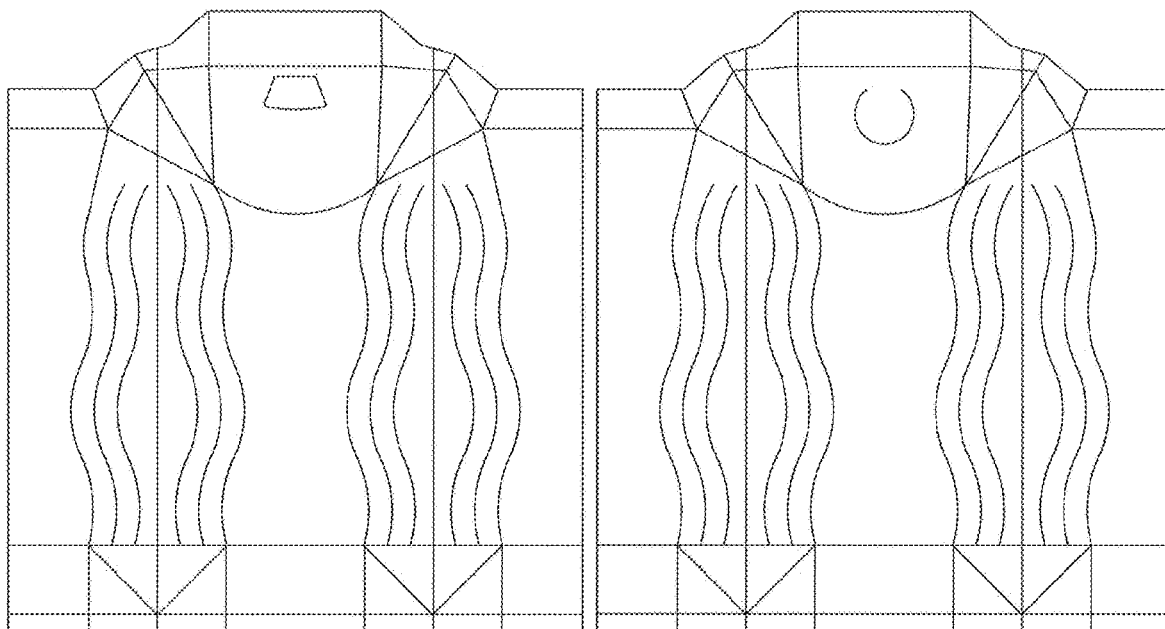
The ornamental design for packaging container blank, as shown and described.

**DESCRIPTION**

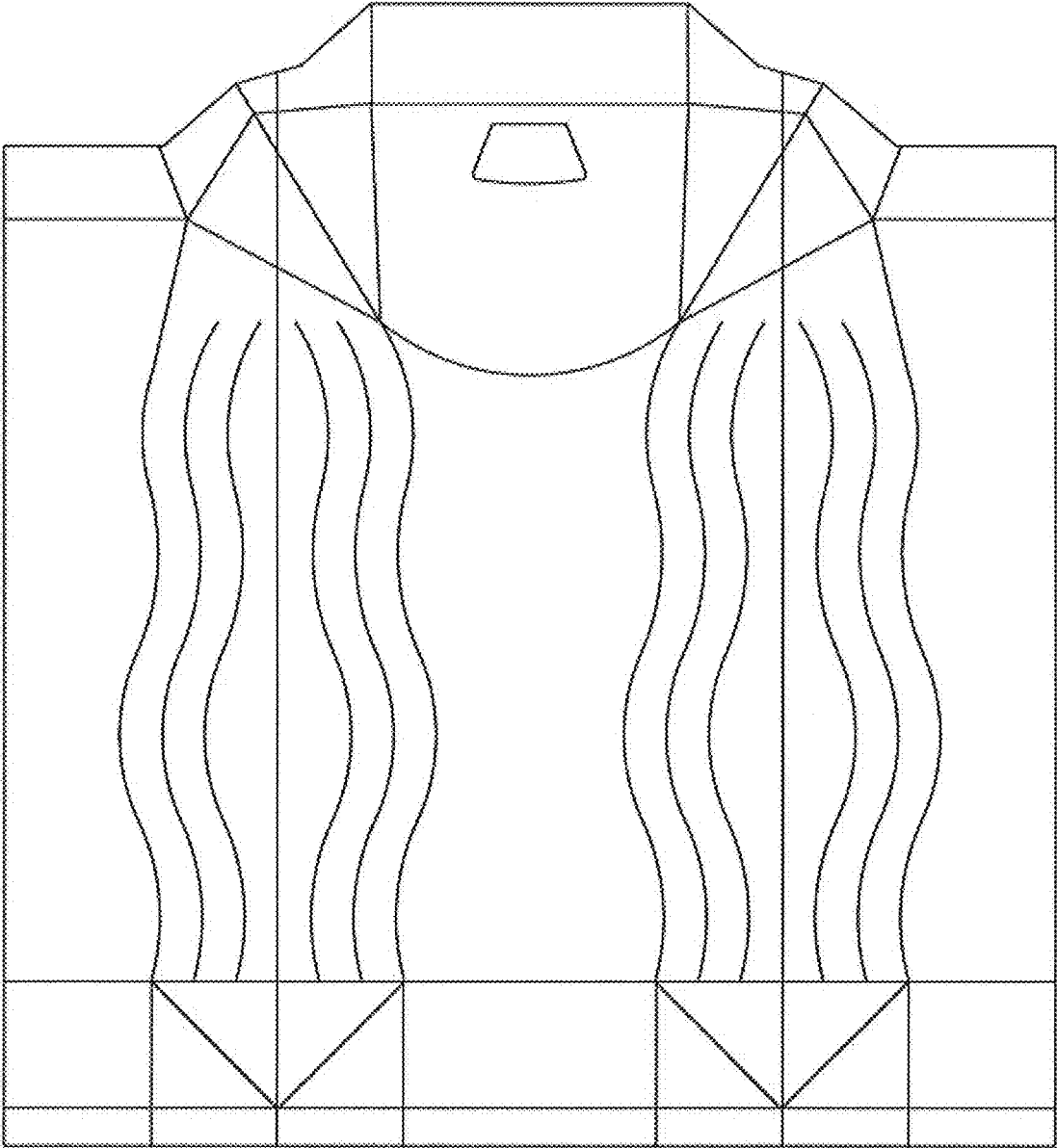
- 1. Packaging container blank
- 3. Packaging container blank
- 5. Packaging container blank
- 1.0 : Front
- 3.0 : Front
- 5.0 : Front

The broken line depicted in Reproduction 5.0 is for illustrative purposes only and forms no part of the claimed design.

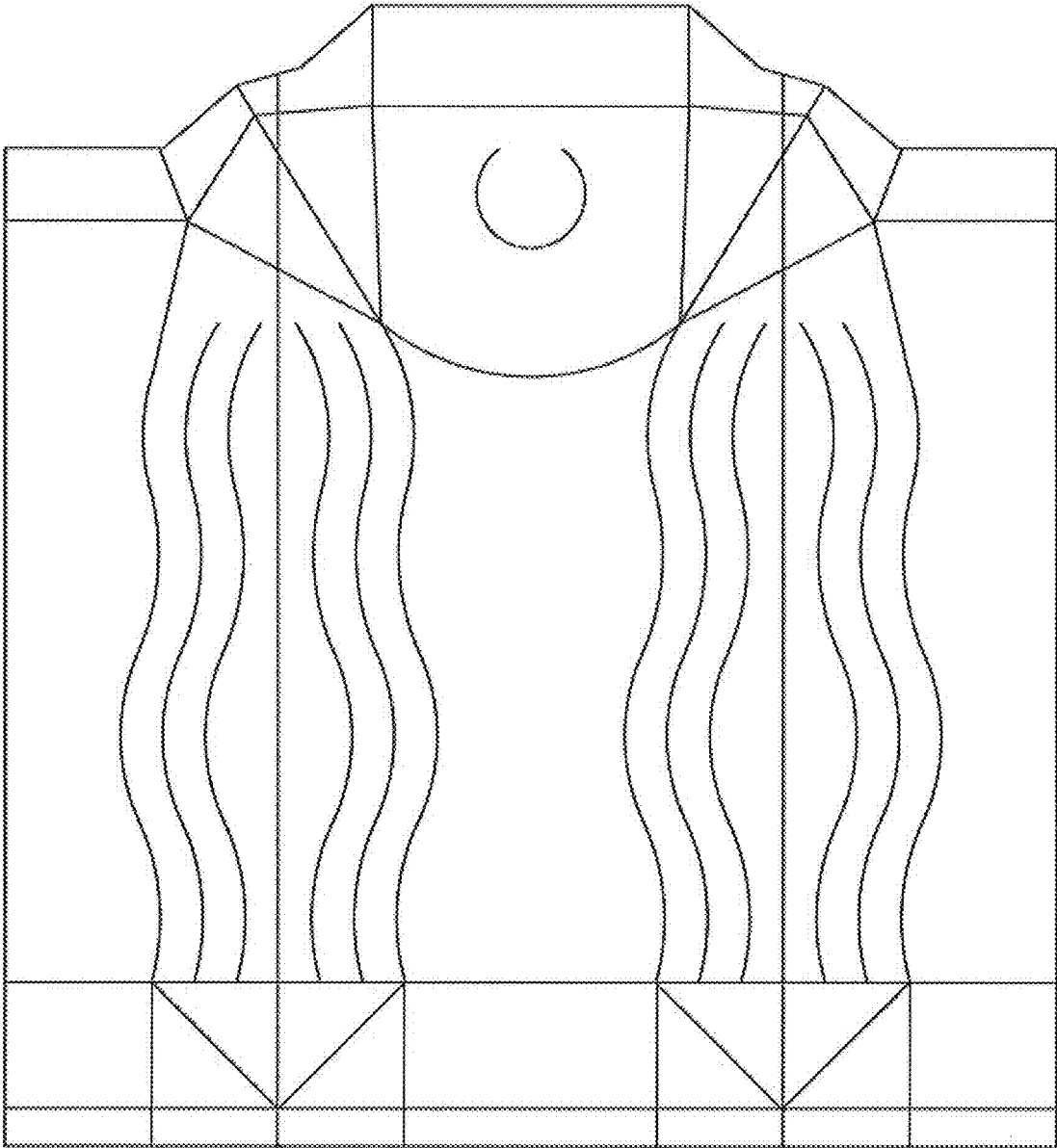
**1 Claim, 3 Drawing Sheets**



1



3



5

