



US00D532843S

(12) **United States Design Patent**
Jones et al.

(10) **Patent No.:** **US D532,843 S**

(45) **Date of Patent:** **** *Nov. 28, 2006**

- (54) **GOLF PUTTER HEAD**
- (75) Inventors: **David D. Jones**, Glendale, AZ (US);
John A. Solheim, Anthem, AZ (US);
John K. Solheim, Anthem, AZ (US)
- (73) Assignee: **Karsten Manufacturing Corporation**,
Phoenix, AZ (US)
- (*) Notice: This patent is subject to a terminal disclaimer.
- (**) Term: **14 Years**
- (21) Appl. No.: **29/233,640**
- (22) Filed: **Jul. 7, 2005**
- (51) **LOC (8) Cl.** **21-02**
- (52) **U.S. Cl.** **D21/736**
- (58) **Field of Classification Search** D21/736-746,
D21/759; 473/324-331, 251-356, 340, 341
See application file for complete search history.

D341,405 S	11/1993	Solheim
5,482,281 A	1/1996	Anderson
D379,484 S	5/1997	Solheim
5,630,765 A	5/1997	Moore
D380,029 S	6/1997	Anderson
5,749,791 A	5/1998	Passeri
D399,911 S	10/1998	Nicolette et al.
5,830,078 A	11/1998	McMahan
D402,722 S	12/1998	Rollinson
5,842,935 A	12/1998	Nelson
D405,137 S	2/1999	Nelson
5,871,407 A	2/1999	Tseng
D410,717 S	6/1999	Anderson
D411,271 S	6/1999	Nelson
5,916,035 A	6/1999	Caiozzo
6,017,280 A	1/2000	Hubert
6,059,669 A	5/2000	Pearce
6,080,070 A	6/2000	Whitley
D437,017 S	1/2001	Ford
D444,833 S	7/2001	Wells et al.
D449,865 S	10/2001	Fife
D451,973 S	12/2001	Wells et al.

(Continued)

Primary Examiner—Mitchell Siegel
(74) *Attorney, Agent, or Firm*—Darrell F. Marquette

(56) **References Cited**
U.S. PATENT DOCUMENTS

D58,209 S	6/1921	Bacheller
D163,083 S	5/1951	Belline
2,954,231 A	9/1960	MacIntyre
D218,178 S	7/1970	Solheim
D230,869 S	3/1974	Winter
D234,960 S	4/1975	Swash
D235,668 S	7/1975	Swash
D238,285 S	12/1975	Ross
4,010,958 A	3/1977	Long
D255,373 S	6/1980	Solheim
4,444,395 A	4/1984	Reiss
D282,952 S	3/1986	Mattingly
4,688,798 A	8/1987	Pelz
4,815,739 A	3/1989	Donica
5,058,895 A	10/1991	Igarashi
5,116,047 A	5/1992	Phelan
5,160,141 A	11/1992	Crews
D334,039 S	3/1993	Tanaka
5,213,332 A	5/1993	Fahy et al.

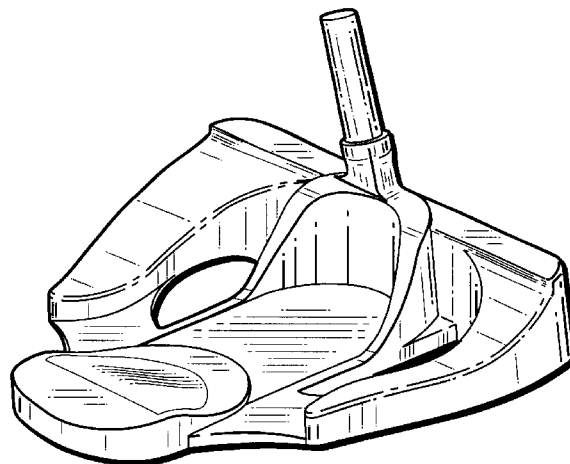
(57) **CLAIM**

The ornamental design for a golf putter head, as shown and described.

DESCRIPTION

FIG. 1 is a perspective view of a golf putter head showing our new design;
FIG. 2 is a rear elevational view of the golf putter head of FIG. 1;
FIG. 3 is a front elevational view of the golf putter head of FIG. 1;
FIG. 4 is a toe end view of the golf putter head of FIG. 1;
FIG. 5 is a heel end view of the golf putter head of FIG. 1;
FIG. 6 is a top view of the golf putter head of FIG. 1; and,
FIG. 7 is a bottom view of the golf putter head of FIG. 1.

1 Claim, 2 Drawing Sheets



US D532,843 S

Page 2

U.S. PATENT DOCUMENTS

6,350,208	B1	2/2002	Ford		
D460,990	S	7/2002	Jung		
D461,860	S	* 8/2002	Tang	D21/742
6,471,600	B1	10/2002	Tang		
D472,949	S	4/2003	Serrano		
D474,821	S	5/2003	Wells et al.		
D484,935	S	* 1/2004	Tang	D21/738
D485,321	S	* 1/2004	Breier et al.	D21/738
D488,526	S	4/2004	Souza et al.		
D493,857	S	8/2004	Cameron		
D496,417	S	9/2004	Tang		
D496,418	S	9/2004	Tang		
6,796,911	B1	9/2004	Grace		
D499,778	S	12/2004	Cameron		
D500,109	S	* 12/2004	Solheim et al.	D21/736
D500,110	S	* 12/2004	Solheim et al.	D21/742
6,837,801	B1	1/2005	Souza et al.		
D503,445	S	* 3/2005	Toroussian	D21/736
D503,447	S	* 3/2005	Toroussian	D21/736
6,960,140	B1	* 11/2005	Solheim et al.	473/251
D513,050	S	* 12/2005	Grimaldo	D21/743

* cited by examiner

Fig.1

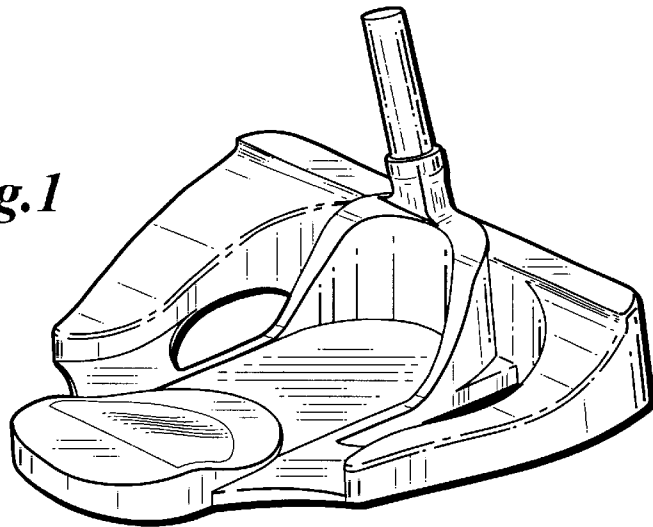


Fig.2

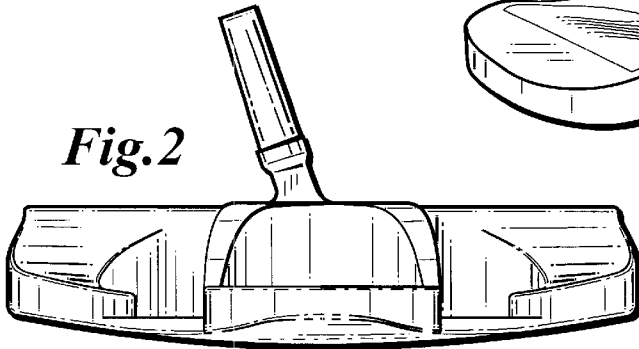


Fig.3

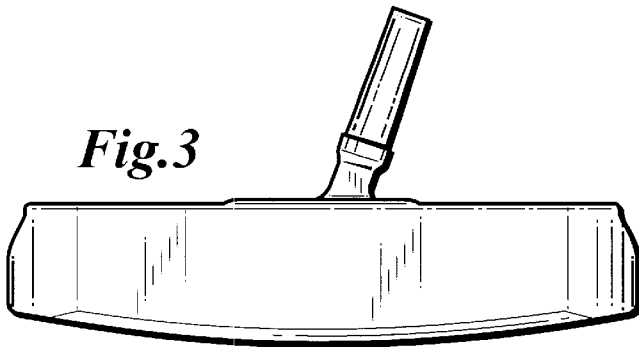


Fig.4

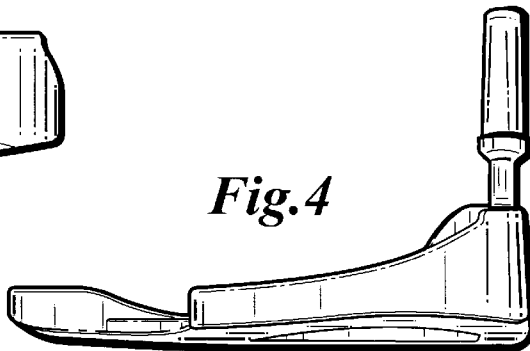


Fig.5

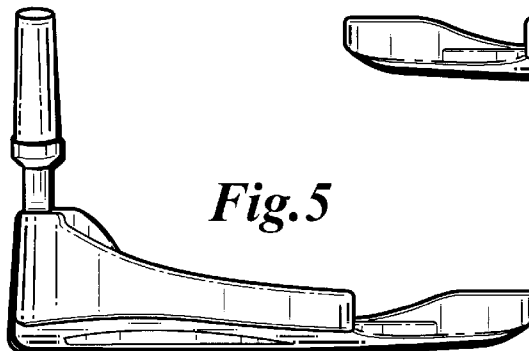


Fig. 6

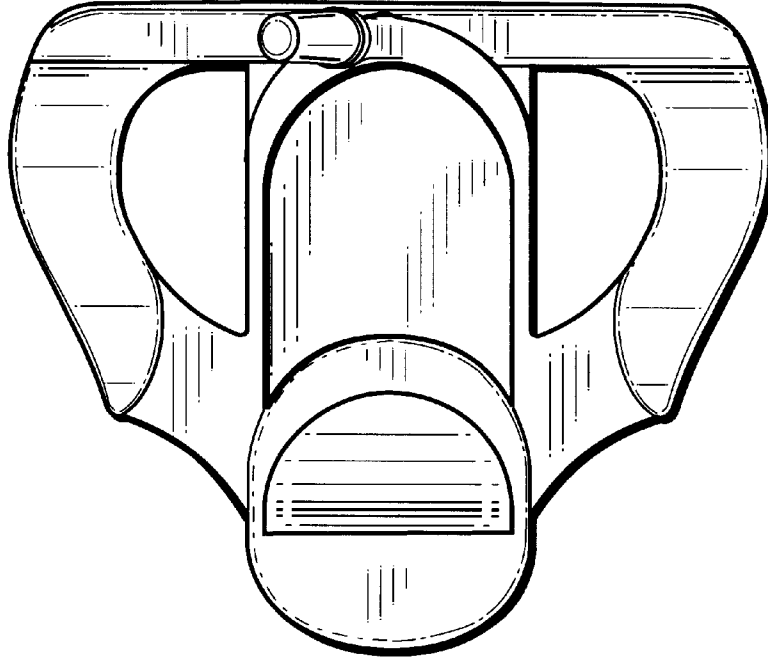


Fig. 7

