



US00D958969S

(12) **United States Design Patent** (10) **Patent No.:** **US D958,969 S**  
**Prentice et al.** (45) **Date of Patent:** **\*\* \*Jul. 26, 2022**

(54) **FACE MASK FRAME**

(56) **References Cited**

(71) Applicant: **Fisher & Paykel Healthcare Limited**,  
Auckland (NZ)

U.S. PATENT DOCUMENTS

(72) Inventors: **Craig Robert Prentice**, Auckland (NZ);  
**Bernard Tsz Lun Ip**, Auckland (NZ);  
**Mark Arvind McLaren**, Auckland  
(NZ); **Kyle Gregory Brown**, Auckland  
(NZ); **Chris Onin Limpin Hipolito**,  
Auckland (NZ); **Mark Richard  
Tomlinson**, Auckland (NZ); **Melissa  
Catherine Bornholdt**, Auckland (NZ)

4,522,369	A	6/1985	Ansite	
4,630,604	A	12/1986	Montesi	
D383,204	S	9/1997	Lomas et al.	
D476,407	S	6/2003	Snyder	
6,631,718	B1	10/2003	Lovell et al.	
6,691,707	B1	2/2004	Gunaratnam et al.	
6,817,362	B2	11/2004	Gelinas et al.	
D504,947	S	5/2005	McAuley et al.	
D539,901	S	4/2007	McAuliffe et al.	
7,290,546	B2	11/2007	Sprinkle et al.	
D556,899	S	12/2007	Veliss et al.	
D579,105	S	10/2008	Jones et al.	
D585,979	S *	2/2009	Stallard	D24/110.1
D591,420	S *	4/2009	Selvarajan	D24/110.1
D597,202	S	7/2009	Reid et al.	
D597,660	S *	8/2009	Maurer	G06K 7/10801 D24/110.1

(73) Assignee: **Fisher & Paykel Healthcare Limited**,  
Auckland (NZ)

(\* ) Notice: This patent is subject to a terminal dis-  
claimer.

(\*\*) Term: **15 Years**

(21) Appl. No.: **29/654,233**

(22) Filed: **Jun. 21, 2018**

**Related U.S. Application Data**

(63) Continuation of application No. 29/595,877, filed on  
Mar. 2, 2017, now Pat. No. Des. 824,021, which is a  
continuation of application No. 29/540,693, filed on  
Sep. 25, 2015, now Pat. No. Des. 784,516.

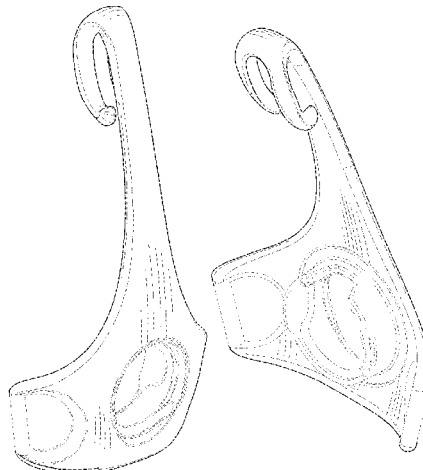
(51) **LOC (13) Cl.** ..... **29-02**

(52) **U.S. Cl.** ..... **D24/110.4**  
USPC .....

(58) **Field of Classification Search**  
USPC ..... D24/110-110.5, 127, 164  
CPC ..... A61M 16/0605; A61M 16/0622; A61M  
16/06; A61M 16/0616; A61M 16/0661;  
A61M 16/0633; A61M 16/0644; A61M  
16/0816; A61M 16/08; A61M 16/0666;  
A61M 2210/0618; A61M 16/0683

See application file for complete search history.

D619,449	S	7/2010	Smith	
7,793,987	B1	9/2010	Busch et al.	
D637,283	S	5/2011	Selvarajan et al.	
D651,304	S	12/2011	Edwards et al.	
D656,231	S	3/2012	Henry et al.	
D673,245	S	12/2012	Cooney	
D679,376	S	4/2013	Von Hollen et al.	
D679,377	S	4/2013	Von Hollen et al.	
D679,378	S	4/2013	Von Hollen et al.	
D683,447	S	5/2013	Olsen et al.	
D691,257	S	10/2013	Siew et al.	
D692,554	S	10/2013	Siew et al.	
D693,459	S	11/2013	Prentice	
D695,887	S	12/2013	Ozolins et al.	
D696,767	S	12/2013	Scheiner et al.	
D697,203	S	1/2014	Clarke et al.	
D706,413	S	6/2014	Veliss et al.	
8,789,525	B2	7/2014	Snow	
D717,945	S	11/2014	Neff et al.	
8,950,404	B2	2/2015	Formica et al.	
D740,934	S	10/2015	Formica et al.	
9,155,855	B2	10/2015	Tebbutt	
D748,242	S	1/2016	Campbell et al.	
D751,188	S	3/2016	Skipper et al.	
D752,199	S	3/2016	Berkman	
D753,813	S	4/2016	Ozolins et al.	
D754,328	S	4/2016	Bowsher	
D757,252	S	5/2016	Von Moger et al.	
D758,564	S	6/2016	Eves et al.	
D764,049	S	8/2016	Cullen et al.	
D767,750	S	9/2016	Nakai et al.	
D769,440	S	10/2016	Amarasinghe et al.	



# US D958,969 S

D770,035 S	10/2016	Prentice et al.	2014/0216460 A1	8/2014	Bothma et al.
D790,054 S	1/2017	Prentice et al.	2014/0236041 A1	8/2014	Gulliver et al.
9,539,403 B2	1/2017	Eves et al.	2014/0261427 A1	9/2014	Foote
D779,652 S	2/2017	Nga et al.	2014/0305433 A1	10/2014	Rothermel
D782,030 S	3/2017	Prentice et al.	2014/0326246 A1	11/2014	Chodkowski et al.
D782,031 S	3/2017	Prentice et al.	2014/0366882 A1	12/2014	Ng et al.
D782,032 S	3/2017	Prentice et al.	2015/0000671 A1	1/2015	Frerichs et al.
D782,655 S	3/2017	Blanch et al.	2015/0151069 A1	6/2015	Zeijlstra et al.
D784,515 S	4/2017	Prentice et al.	2015/0174354 A1	6/2015	Matula, Jr. et al.
D784,516 S	4/2017	Prentice et al.	2015/0174355 A1	6/2015	Willard
9,707,368 B2	7/2017	McAuley et al.	2015/0202397 A1	7/2015	Pastoor et al.
9,713,693 B2	7/2017	Parr et al.	2015/0202402 A1	7/2015	Kat
D797,277 S	9/2017	Blanch et al.	2015/0209540 A1	7/2015	Hendricks et al.
D797,921 S	9/2017	Huang et al.	2015/0246200 A1	9/2015	Neff, Jr. et al.
D798,439 S	9/2017	Siew et al.	2015/0306320 A1	10/2015	Markus
D800,895 S	10/2017	Prentice et al.	2015/0328422 A1	11/2015	Chodkowski
D801,500 S	10/2017	Prentice	2015/0367092 A1	12/2015	Goff et al.
D809,132 S	1/2018	Bornholdt et al.	2016/0008558 A1	1/2016	Huddart et al.
9,878,118 B2	1/2018	Formica et al.	2016/0067441 A1	3/2016	Salmon et al.
D809,649 S *	2/2018	Bornholdt ..... D24/110.4	2016/0067442 A1	3/2016	Salmon et al.
D810,277 S	2/2018	Amarasinghe	2016/0074611 A1	3/2016	Higgins et al.
D814,020 S *	3/2018	Bornholdt ..... D24/110.4	2016/0082218 A1	3/2016	Lau et al.
D821,569 S *	6/2018	Bornholdt ..... D24/110.4	2016/0121067 A1	5/2016	VanMiddendorp et al.
D823,455 S	7/2018	Bornholdt et al.	2016/0151596 A1	6/2016	Slight et al.
D824,020 S	7/2018	Bornholdt et al.	2016/0220781 A1	8/2016	Arrowsmith et al.
D824,021 S	7/2018	Prentice et al.	2016/0250436 A1*	9/2016	Brown ..... A61M 16/0683
D824,022 S	7/2018	Prentice			128/206.21
D824,511 S *	7/2018	Prentice ..... D24/110.1	2016/0287915 A1	10/2016	Lenfeld et al.
D828,917 S	9/2018	Prentice et al.	2016/0325067 A1	11/2016	Harwood et al.
D837,971 S	1/2019	Prentice et al.	2016/0354572 A1	12/2016	Lim
D837,972 S *	1/2019	Bornholdt ..... D24/110.4	2017/0065786 A1	3/2017	Stephenson et al.
D837,973 S	1/2019	Bornholdt et al.	2017/0087329 A1	3/2017	Huddart et al.
D849,931 S	5/2019	Prentice et al.	2017/0232219 A1	8/2017	Dravitzki et al.
D851,749 S	6/2019	Siew et al.	2017/0239437 A1	8/2017	Scheirlink et al.
D875,924 S	2/2020	Prentice	2017/0246411 A1	8/2017	Mashal et al.
D876,616 S	2/2020	Prentice et al.	2017/0281894 A1	10/2017	Walls et al.
10,576,227 B2	3/2020	Mebasser et al.	2017/0312470 A1	11/2017	Norsted
10,576,234 B2	3/2020	Brown et al.	2017/0326325 A1	11/2017	Allan et al.
10,603,457 B2	3/2020	Chang	2017/0333657 A1	11/2017	Stephenson et al.
D882,066 S *	4/2020	Niccol ..... D24/110.4	2017/0368288 A1	12/2017	Stephens et al.
10,632,274 B2	4/2020	Norsted	2018/0133429 A1	5/2018	Reddy
10,632,276 B2	4/2020	Fyfe et al.	2018/0140797 A1	5/2018	Gunaratnam et al.
D884,151 S	5/2020	Eves et al.	2018/0185598 A1	7/2018	Olsen et al.
D892,307 S *	8/2020	Wang ..... D24/110.4	2018/0185600 A1	7/2018	Jablonski
D895,105 S	9/2020	Eves et al.	2018/0207384 A1	7/2018	Zhou et al.
10,828,453 B2 *	11/2020	Stephenson ..... A61M 16/0816	2018/0207389 A1*	7/2018	Fyfe ..... A61M 16/0683
D908,207 S	1/2021	Prentice et al.	2018/0214655 A1	8/2018	Kooij
10,898,662 B2 *	1/2021	Huddart ..... A61M 16/0683	2018/0250485 A1	9/2018	Zhan et al.
D935,602 S	11/2021	Eves et al.	2018/0280648 A1*	10/2018	Baiko ..... A61M 16/06
2002/0020416 A1	2/2002	Namey	2018/0304035 A1*	10/2018	Chang ..... A61M 16/0616
2002/0023649 A1	2/2002	Gunaratnam	2018/0318540 A1	11/2018	Barlow et al.
2002/0026934 A1	3/2002	Lithgow	2018/0361101 A1*	12/2018	Frerichs ..... A61M 16/0605
2003/0196659 A1	10/2003	Gradon et al.	2018/0369529 A1*	12/2018	Grashow ..... A61M 16/0605
2004/0035428 A1	2/2004	Olsen et al.	2019/0001094 A1	1/2019	Liu et al.
2004/0083534 A1	5/2004	Ruiz	2019/0091429 A1	3/2019	Skipper et al.
2004/0112377 A1	6/2004	Amarasinghe	2019/0160249 A1*	5/2019	Rose ..... A61M 16/0683
2005/0126573 A1	6/2005	Jaffre et al.	2019/0175863 A1	6/2019	Hocking et al.
2006/0124131 A1	6/2006	Chandran	2019/0184126 A1	6/2019	Todd et al.
2007/0175480 A1	8/2007	Gradon et al.	2019/0217040 A1	7/2019	Amarasinghe et al.
2008/0192459 A1	8/2008	Kwok et al.	2019/0255275 A1	8/2019	Dravitzki et al.
2008/0302366 A1	12/2008	McGinnis et al.	2019/0258749 A1	8/2019	Ho
2009/0194111 A1	8/2009	Fu et al.	2019/0314593 A1	10/2019	Judson et al.
2010/0000538 A1	1/2010	Edwards et al.	2019/0314594 A1	10/2019	Eifler
2010/0031963 A1	2/2010	Lee et al.	2019/0372369 A1	12/2019	Wing et al.
2010/0059058 A1	3/2010	Kuo	2020/0001034 A1	1/2020	Chen et al.
2011/0072553 A1	3/2011	Ho	2020/0016356 A1	1/2020	Patel et al.
2011/0146685 A1	6/2011	Allan	2020/0129724 A1	4/2020	Nelson et al.
2011/0197341 A1	8/2011	Formica et al.	2020/0206446 A1	7/2020	Blaxland
2011/0290253 A1	12/2011	McAuley et al.	2020/0215289 A1	7/2020	Harwood et al.
2012/0138061 A1	6/2012	Dravitzki et al.	2020/0254208 A1	8/2020	Brown et al.
2012/0204881 A1	8/2012	Davidson et al.	2020/0353199 A1*	11/2020	Salmon ..... A61M 16/0816
2012/0234326 A1	9/2012	Mazzone et al.	2021/0001072 A1*	1/2021	Lim ..... A61M 16/0683
2012/0305001 A1	12/2012	Tatkov et al.	2021/0106780 A1*	4/2021	Nelson ..... A61M 16/0683
2013/0152937 A1	6/2013	Jablonski et al.	2021/0113788 A1*	4/2021	Huddart ..... A61M 16/0003
2013/0152938 A1	6/2013	Jablonski et al.			
2013/0239972 A1	9/2013	McAuley et al.			
2014/0090649 A1	4/2014	Groll et al.			
2014/0096774 A1	4/2014	Olsen et al.			
2014/0174446 A1	6/2014	Prentice			

FOREIGN PATENT DOCUMENTS

## OTHER PUBLICATIONS

Fisher & Paykel Announces Eson 2 Mask at Investor Day. Sleep Review. Oct. 12, 2015. <<http://www.sleepreviewmag.com/2015/10/fisher-paykel-announces-eson-2-mask-investor-day/>>.

New—Eson 2 Fisher & Paykel Nasal Mask. CPAP Victoria: Snoring & Sleep Apnoea Solutions, cpapvictoria.com.au. Date accessed: May 21, 2016. <<http://cpapvictoria.com.au/new-eson-2-fisher-paykel-nasal-mask.html>>.

Fisher & Paykel Eson 2 Nasal Mask. CPAP Direct, cpapdirect.com.au. Date accessed: May 21, 2016. <<https://cpapdirect.com.au/wp-content/uploads/2-15/12/Eson2-Exploded-Image.jpg>>.

Swivel for Fisher Paykel Eson2 Nasal Mask #400FPH241. CPAP Australia. www.cpapaustralia.com.au. Date accessed: May 21, 2016. <<https://www.cpapaustralia.com.au/shopping/swivel-for-fisher-paykel-eson2-nasal-mask-400fph241.html>>.

Office Action for U.S. Appl. No. 29/540,662 dated May 19, 2016.

Office Action for U.S. Appl. No. 29/540,681 dated May 19, 2016.

Office Action for U.S. Appl. No. 29/540,693 dated Jun. 2, 2016.

Office Action for U.S. Appl. No. 29/540,684 dated Sep. 15, 2016.

Office Action for U.S. Appl. No. 29/540,680 dated Jun. 2, 2016.

S-1225, image postdate Jul. 30, 2017, site visited Nov. 24, 2017, (online), <[https://www.tineye.com/search/5a303183b2900291d1429fe660f391f2c1a0f159/?sort=crawl\\_date&order=asc](https://www.tineye.com/search/5a303183b2900291d1429fe660f391f2c1a0f159/?sort=crawl_date&order=asc)>.

Direct-home-medical-parts-for-cpap-masks-bipap-masks, image post date Sep. 27, 2017, site visited Nov. 24, 2017, (online), <<https://www.tineye.com/search/58ef6f11e162268d500494d731e8e5c6c671dc48/>>.

F&P Eson 2 Nasal CPAP Mask Pack with Headgear, image post date Nov. 20, 2016, site visited Nov. 24, 2017, (online), <<http://www.directhomemedical.com/eson-2-nasal-cpap-mask-fisher-paykel-healthcare.html#reviews>>.

\* cited by examiner

*Primary Examiner* — Mary Shannon Malley

*Assistant Examiner* — Lee D. Starr

(74) *Attorney, Agent, or Firm* — Knobbe Martens Olson & Bear LLP

(57)

## CLAIM

The ornamental design for a face mask frame, as shown and described.

## DESCRIPTION

FIG. 1 is a top, front, and side perspective view of a face mask frame showing our new design;

FIG. 2 is a top, rear and side perspective view thereof;

FIG. 3 is a front view thereof;

FIG. 4 is a rear view thereof;

FIG. 5 is a first side view thereof;

FIG. 6 is a second side view thereof;

FIG. 7 is a top view thereof; and,

FIG. 8 is a bottom view thereof.

The dash-dot-dash broken lines define the bounds of the claimed design and form no part thereof. The dash-dash broken lines illustrate portions of the face mask frame that form no part of the claimed design.

**1 Claim, 7 Drawing Sheets**

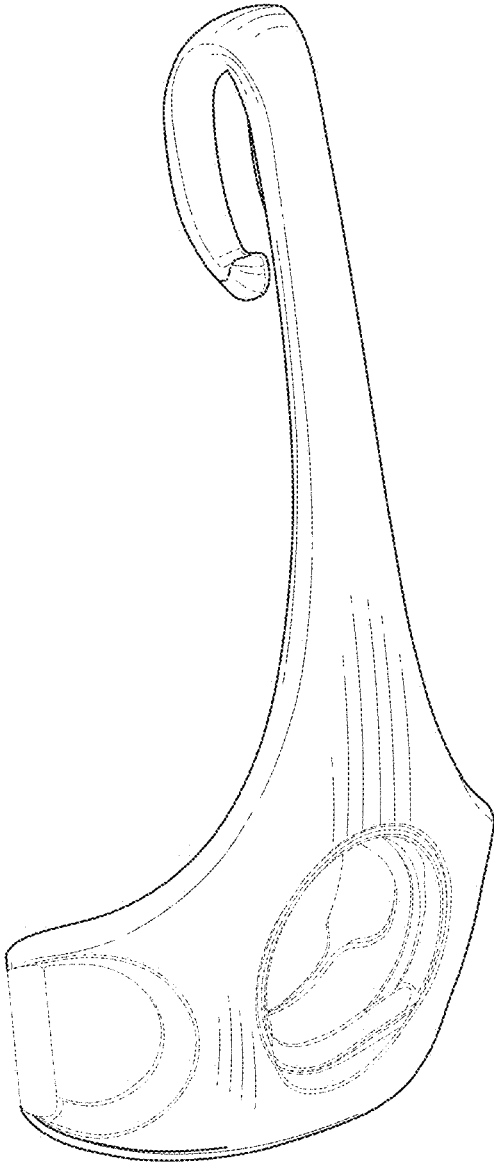


FIG. 1

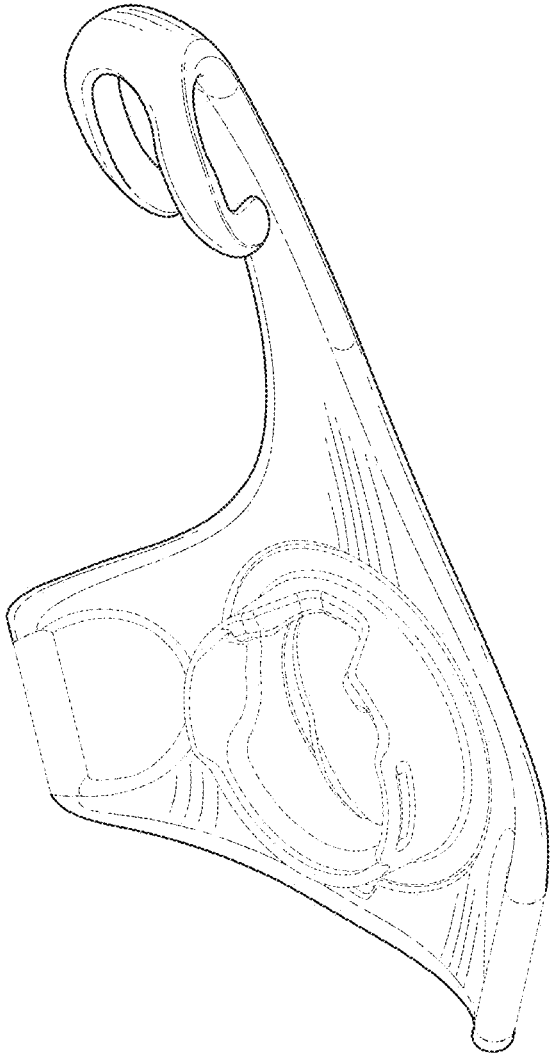


FIG. 2

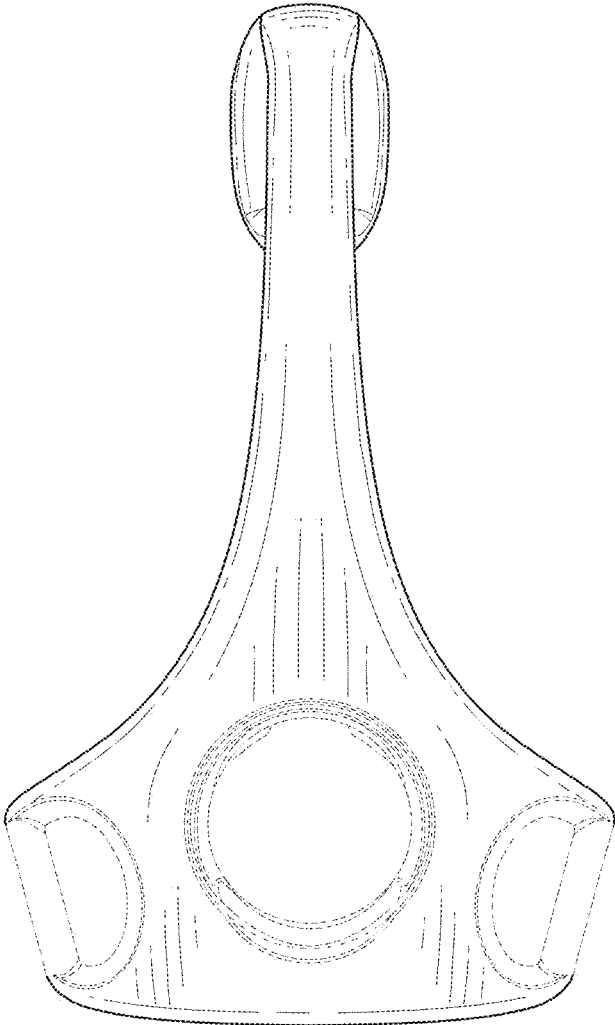


FIG. 3

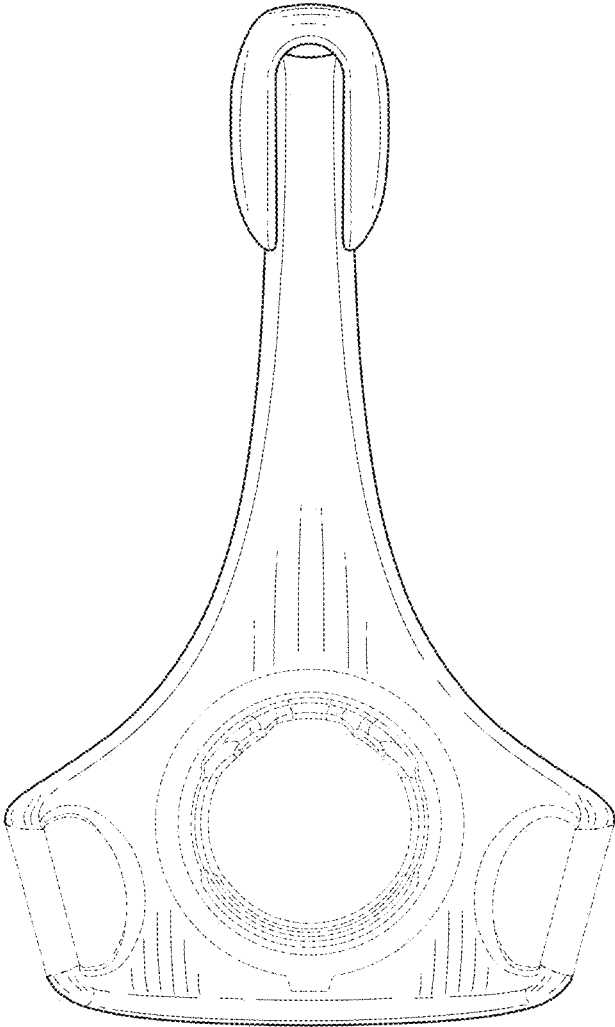


FIG. 4

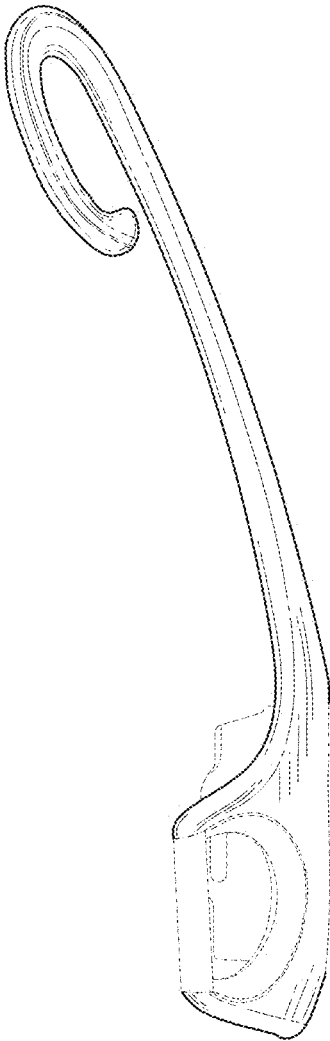


FIG. 5



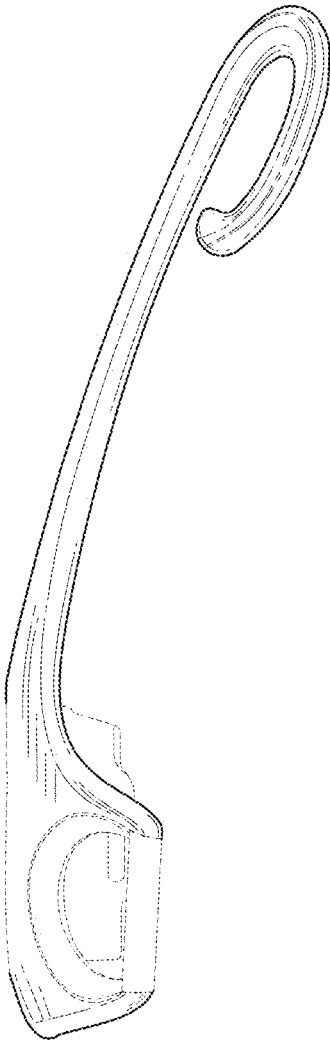


FIG. 6

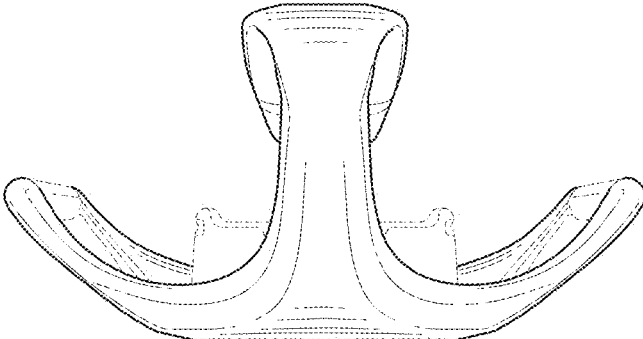


FIG. 7

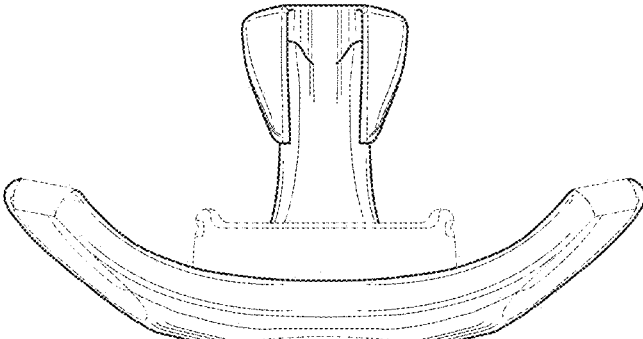


FIG. 8