

(19) World Intellectual Property Organization
International Bureau



(43) International Publication Date
15 November 2007 (15.11.2007)

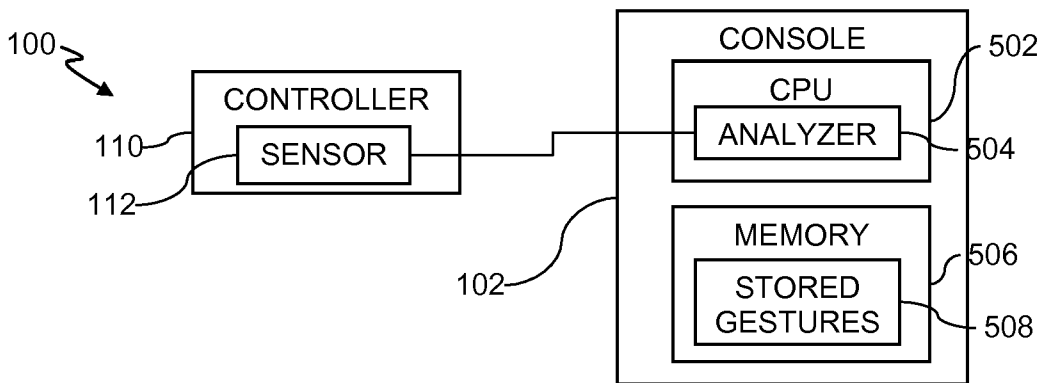
PCT

(10) International Publication Number
WO 2007/130792 A3

(51) International Patent Classification:		11/382,033	6 May 2006 (06.05.2006)	US		
<i>G09G 5/00</i> (2006.01)	<i>A63F 13/00</i> (2006.01)	11/382,035	6 May 2006 (06.05.2006)	US		
<i>G09G 5/08</i> (2006.01)	<i>G06F 17/00</i> (2006.01)	11/382,036	6 May 2006 (06.05.2006)	US		
<i>G06F 3/033</i> (2006.01)	<i>G06F 19/00</i> (2006.01)	29/259,349	6 May 2006 (06.05.2006)	US		
<i>A63F 9/24</i> (2006.01)		11/382,043	7 May 2006 (07.05.2006)	US		
		11/382,039	7 May 2006 (07.05.2006)	US		
(21) International Application Number:		11/382,041	7 May 2006 (07.05.2006)	US		
	PCT/US2007/067005	11/382,040	7 May 2006 (07.05.2006)	US		
(22) International Filing Date:	19 April 2007 (19.04.2007)	11/382,252	8 May 2006 (08.05.2006)	US		
(25) Filing Language:	English	11/430,594	8 May 2006 (08.05.2006)	US		
(26) Publication Language:	English	11/430,593	8 May 2006 (08.05.2006)	US		
(30) Priority Data:		11/382,259	8 May 2006 (08.05.2006)	US		
		11/382,258	8 May 2006 (08.05.2006)	US		
		11/382,251	8 May 2006 (08.05.2006)	US		
	11/381,729	4 May 2006 (04.05.2006)	US	11/382,256	8 May 2006 (08.05.2006)	US
	11/381,728	4 May 2006 (04.05.2006)	US	11/382,250	8 May 2006 (08.05.2006)	US
	11/381,725	4 May 2006 (04.05.2006)	US	29/246,744	8 May 2006 (08.05.2006)	US
	11/381,727	4 May 2006 (04.05.2006)	US	29/246,743	8 May 2006 (08.05.2006)	US
	11/381,724	4 May 2006 (04.05.2006)	US	29/246,767	8 May 2006 (08.05.2006)	US
	11/381,721	4 May 2006 (04.05.2006)	US	29/246,768	8 May 2006 (08.05.2006)	US
	11/418,988	4 May 2006 (04.05.2006)	US	29/246,763	8 May 2006 (08.05.2006)	US
	11/418,989	4 May 2006 (04.05.2006)	US	29/246,759	8 May 2006 (08.05.2006)	US
	11/429,047	4 May 2006 (04.05.2006)	US	29/246,765	8 May 2006 (08.05.2006)	US
	11/429,133	4 May 2006 (04.05.2006)	US	29/246,766	8 May 2006 (08.05.2006)	US
	11/429,414	4 May 2006 (04.05.2006)	US	29/246,764	8 May 2006 (08.05.2006)	US
	PCT/US2006/017483	4 May 2006 (04.05.2006)	US	29/246,762	8 May 2006 (08.05.2006)	US
	29/259,350	6 May 2006 (06.05.2006)	US			
	29/259,348	6 May 2006 (06.05.2006)	US			
	60/798,031	6 May 2006 (06.05.2006)	US			
	11/382,038	6 May 2006 (06.05.2006)	US			
	11/382,034	6 May 2006 (06.05.2006)	US			
	11/382,037	6 May 2006 (06.05.2006)	US			
	11/382,031	6 May 2006 (06.05.2006)	US			
	11/382,032	6 May 2006 (06.05.2006)	US			
				(71) Applicant (for all designated States except US): SONY COMPUTER ENTERTAINMENT INC. [JP/JP]; 2-6-21 Minami-Aoyama, Minato-ku, Tokyo 107-0062 (JP).		
				(72) Inventors; and		
				(75) Inventors/Applicants (for US only): MAO, Xiadong [CN/US]; 919 East Hillsdale Blvd., 2nd Floor, Foster City, California 94404 (US). MARKS, Richard, L. [US/US];		

[Continued on next page]

(54) Title: SYSTEM, METHOD, AND APPARATUS FOR THREE-DIMENSIONAL INPUT CONTROL



(57) Abstract: A game controller, a tracking device for use in obtaining information for controlling an execution of a game program by a processor for enabling an interactive game to be played by a user, and related apparatus are disclosed. Methods for tracking a controller of a video game and for providing inputs to a system are also disclosed.

WO 2007/130792 A3



919 East Hillsdale Blvd., 2nd Floor, Foster City, California 94404 (US). **ZALEWSKI, Gary, M.** [US/US]; 919 East Hillsdale Blvd., 2nd Floor, Foster City, California 94404 (US).

(74) **Agent: ISENBERG, Joshua, D.**; JDI Patent, 809 Corporate Way, Fremont, California 94539 (US).

(81) **Designated States** (*unless otherwise indicated, for every kind of national protection available*): AE, AG, AL, AM, AT, AU, AZ, BA, BB, BG, BH, BR, BW, BY, BZ, CA, CH, CN, CO, CR, CU, CZ, DE, DK, DM, DZ, EC, EE, EG, ES, FI, GB, GD, GE, GH, GM, GT, HN, HR, HU, ID, IL, IN, IS, JP, KE, KG, KM, KN, KP, KR, KZ, LA, LC, LK, LR, LS, LT, LU, LY, MA, MD, MG, MK, MN, MW, MX, MY, MZ, NA, NG, NI, NO, NZ, OM, PG, PH, PL, PT, RO, RS,

RU, SC, SD, SE, SG, SK, SL, SM, SV, SY, TJ, TM, TN, TR, TT, TZ, UA, UG, US, UZ, VC, VN, ZA, ZM, ZW.

(84) **Designated States** (*unless otherwise indicated, for every kind of regional protection available*): ARIPO (BW, GH, GM, KE, LS, MW, MZ, NA, SD, SL, SZ, TZ, UG, ZM, ZW), Eurasian (AM, AZ, BY, KG, KZ, MD, RU, TJ, TM), European (AT, BE, BG, CH, CY, CZ, DE, DK, EE, ES, FI, FR, GB, GR, HU, IE, IS, IT, LT, LU, LV, MC, MT, NL, PL, PT, RO, SE, SI, SK, TR), OAPI (BF, BJ, CF, CG, CI, CM, GA, GN, GQ, GW, ML, MR, NE, SN, TD, TG).

Published:

— *with international search report*

(88) **Date of publication of the international search report:**
12 September 2008

INTERNATIONAL SEARCH REPORT

International application No.

PCT/US07/67005

A. CLASSIFICATION OF SUBJECT MATTER

IPC: **G09G 5/00**(2006.01);**G09G 5/08**(2006.01);**G06F 3/033**(2006.01);**A63F 9/24**(2006.01);**A63F 13/00**(2006.01);**G06F 17/00**(2006.01);**G06F 19/00**(2006.01)

USPC: 345/156,157,158,159,160,161,162,163,164,165,166,167;463/36,37,38

According to International Patent Classification (IPC) or to both national classification and IPC

B. FIELDS SEARCHED

Minimum documentation searched (classification system followed by classification symbols)
U.S. : 345/156,157,158,159,160,161,162,163,164,165,166,167; 463/36,37,38

Documentation searched other than minimum documentation to the extent that such documents are included in the fields searched

Electronic data base consulted during the international search (name of data base and, where practicable, search terms used)
EAST

C. DOCUMENTS CONSIDERED TO BE RELEVANT

Category *	Citation of document, with indication, where appropriate, of the relevant passages	Relevant to claim No.
A	US 6,890,262 B2 (OISHI et al) 10 May 2005, entire document	1-66
A	US 6,417,836 B1 (KUMAR et al) 09 June 2002, entire document	1-66
A	US 6,400,374 B2 (LANIER) 04 June 2002, entire document	1-66
A	US 6,022,274 (TAKEDA et al) 08 February 2000, entire document	1-66
A	US 5,554,980 (HASHIMOTO et al) 10 September 1996, entire document	1-66

Further documents are listed in the continuation of Box C.

See patent family annex.

* Special categories of cited documents:	
"A" document defining the general state of the art which is not considered to be of particular relevance	"T" later document published after the international filing date or priority date and not in conflict with the application but cited to understand the principle or theory underlying the invention
"E" earlier application or patent published on or after the international filing date	"X" document of particular relevance; the claimed invention cannot be considered novel or cannot be considered to involve an inventive step when the document is taken alone
"L" document which may throw doubts on priority claim(s) or which is cited to establish the publication date of another citation or other special reason (as specified)	"Y" document of particular relevance; the claimed invention cannot be considered to involve an inventive step when the document is combined with one or more other such documents, such combination being obvious to a person skilled in the art
"O" document referring to an oral disclosure, use, exhibition or other means	
"P" document published prior to the international filing date but later than the priority date claimed	"&" document member of the same patent family

Date of the actual completion of the international search
22 May 2008 (22.05.2008)

Date of mailing of the international search report

18 JUN 2008

Name and mailing address of the ISA/US.
Mail Stop PCT, Attn: ISA/US
Commissioner for Patents
P.O. Box 1450
Alexandria, Virginia 22313-1450
Facsimile No. (571) 273-3201

Authorized officer

Amare Mengistu

Telephone No. (571) 272-2600

