

(21) Application No: 0820252.5
(22) Date of Filing: 05.11.2008

(71) Applicant(s):
Dalmatic Lystrup A/S
(Incorporated in Denmark)
Laegårdsvej 9, Lystrup 8520, Denmark

(72) Inventor(s):
Vagn Erik Dall
Cody Eric Bungler

(74) Agent and/or Address for Service:
Marks & Clerk LLP
90 Long Acre, LONDON, WC2E 9RA, United Kingdom

(51) INT CL:
A61B 17/70 (2006.01)

(56) Documents Cited:
EP 1857064 A **US 7029472 A**
US 4658809 A **US 20080027436 A**

(58) Field of Search:
INT CL **A61B**
Other: **Online: EPODOC, WPI**

(54) Title of the Invention: **Bone fixation system**
Abstract Title: **Bone fixation system**

(57) A bone fixation system, for controlling the alignment of adjacent vertebrae after spinal surgery, in which fixation rods 40, 42 are connected to the vertebrae through a mounting device such as a bone screw 4. The juxtapositioned ends of adjacent rods are connected by a sleeve 44. At least one of the rods is movable in the sleeve relative to the other. The rods 40, 42 are slidably received into the ends of the sleeve 44, and are fixed by a clamping screw 46. The sleeves may be curved, and two adjacent sleeves may be coupled together. The system allows the spine to grow without the need for further surgery.

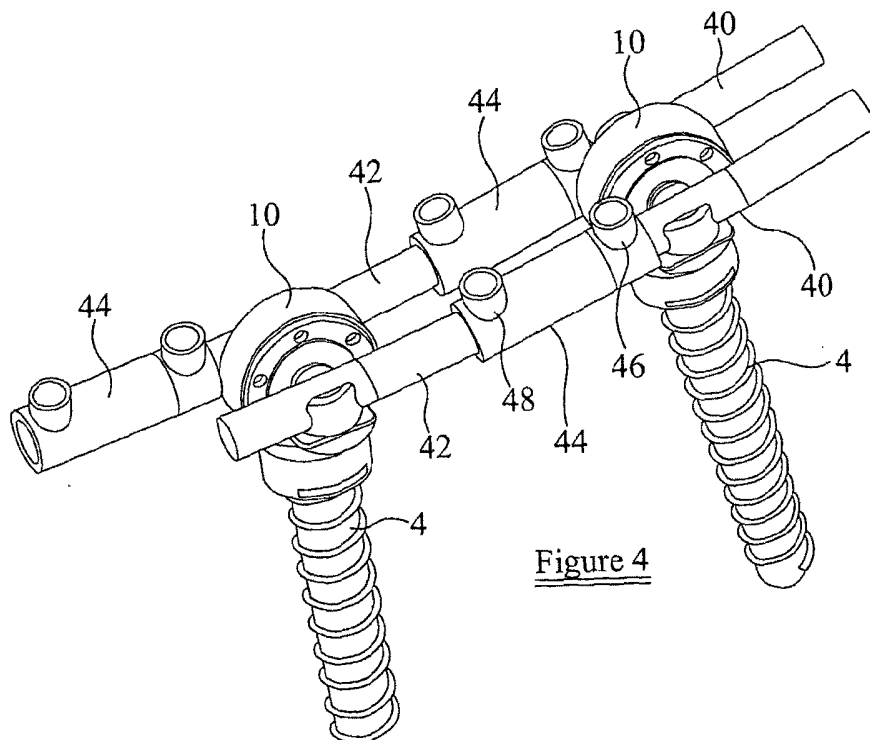


Figure 4