



US00D767897S

(12) **United States Design Patent** (10) **Patent No.:** **US D767,897 S**  
**Hosler et al.** (45) **Date of Patent:** **\*\* Oct. 4, 2016**

(54) **POWERED BRUSH HANDLE**

FOREIGN PATENT DOCUMENTS

(71) Applicant: **L’Oreal USA Creative, Inc.**, New York, NY (US)

CN 301949904 S \* 6/2012  
CN 302283515 S \* 1/2013

(Continued)

(72) Inventors: **Travis J. Hosler**, Seattle, WA (US);  
**Kenneth A. Pilcher**, Seattle, WA (US);  
**Richard A. Reishus**, Renton, WA (US);  
**Suk P. Wong**, Sammamish, WA (US)

*Primary Examiner* — Manpreet Matharu  
*Assistant Examiner* — Aula Soroush  
(74) *Attorney, Agent, or Firm* — Christensen O’Connor Johnson Kindness PLLC

(73) Assignee: **L’Oreal USA Creative, Inc.**, New York, NY (US)

(\*\*) Term: **15 Years**

(57) **CLAIM**

(21) Appl. No.: **29/540,660**

The ornamental design for a powered brush handle, as shown and described.

(22) Filed: **Sep. 25, 2015**

**Related U.S. Application Data**

(62) Division of application No. 29/465,448, filed on Aug. 28, 2013, now Pat. No. Des. 742,647.

**DESCRIPTION**

(51) **LOC (10) Cl.** ..... **04-02**

(52) **U.S. Cl.**

USPC ..... **D4/102**

(58) **Field of Classification Search**

USPC ..... D4/100–102, 127; D24/146, 211, 214, D24/215; D28/7, 57, 58, 63; 15/21.1, 22.1, 15/28, 29, 176.1, 176.4, 176.5, 180, 198; 601/114

CPC ..... A46B 5/0095; A46B 7/00; A46B 7/04; A46B 7/042; A46B 7/06; A46B 7/08; A46B 13/00; A46B 13/008; A46B 13/02; A46B 13/023; A46B 13/026; A46B 13/04; A46B 13/08; A47K 7/04; A47L 23/06; A61H 7/003; A61H 7/004; A61H 7/005

See application file for complete search history.

FIG. 1 is a top front right perspective view of a powered brush handle in accordance with our new design; FIG. 2 is a front elevation view thereof; FIG. 3 is a rear elevation view thereof; FIG. 4 is a top plan view thereof; FIG. 5 is a bottom plan view thereof; FIG. 6 is a left side elevation view thereof; FIG. 7 is a right side elevation view thereof; FIG. 8 is a top front right perspective view of an alternative embodiment of the powered brush handle shown in FIG. 1; FIG. 9 is a front elevation view thereof; FIG. 10 is a rear elevation view thereof; FIG. 11 is a top plan view thereof; FIG. 12 is a bottom plan view thereof; FIG. 13 is a left side elevation view thereof; and, FIG. 14 is a right side elevation view thereof. The central, circular dashed line and the area within that line shown within the head portion in FIGS. 1, 2, 8, and 9 illustrates a portion of the powered brush handle that forms no part of the claimed design.

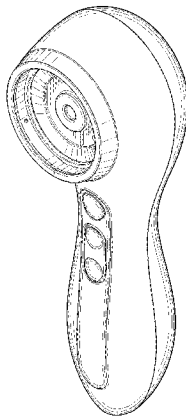
(56) **References Cited**

**U.S. PATENT DOCUMENTS**

D250,228 S \* 11/1978 Long ..... D4/102  
D425,241 S \* 5/2000 Nishizawa et al. .... D28/9

(Continued)

**1 Claim, 12 Drawing Sheets**



(56)

References Cited

U.S. PATENT DOCUMENTS

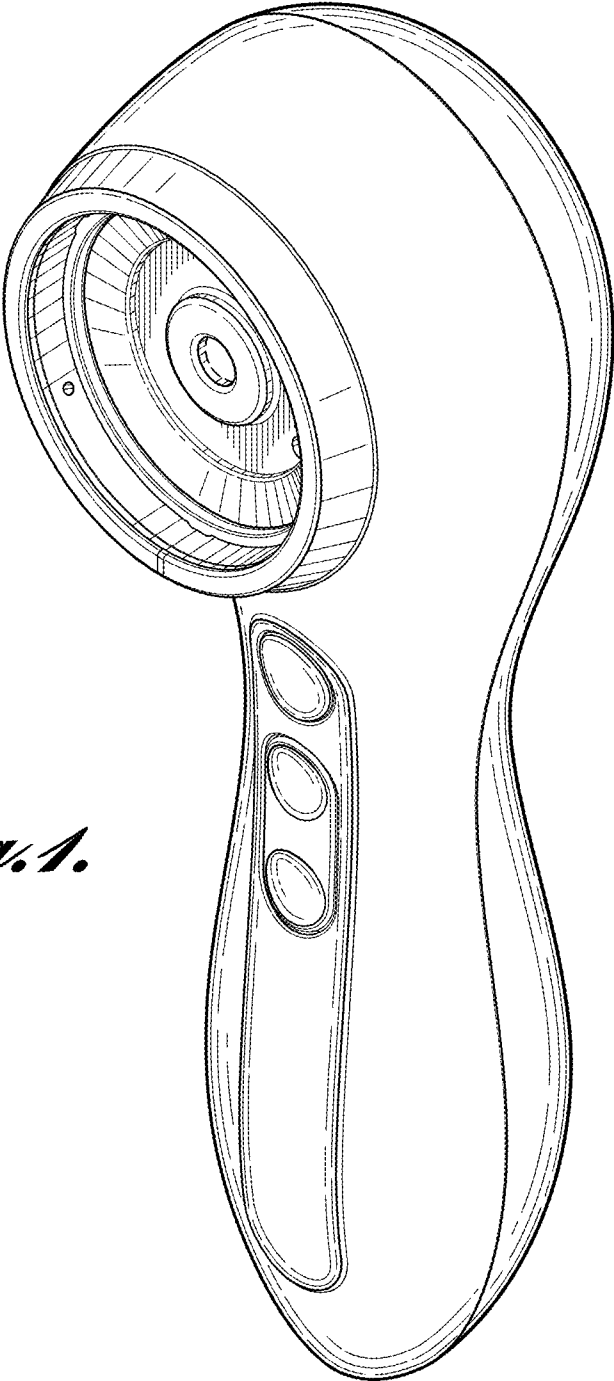
D500,168 S \* 12/2004 Ho ..... D28/44  
D523,809 S 6/2006 Roth  
7,157,816 B2 1/2007 Pilcher  
D549,964 S 9/2007 Roth  
7,386,906 B2 6/2008 Roth  
D601,803 S \* 10/2009 Reishus et al. .... D4/102  
7,786,626 B2 8/2010 Reishus  
7,789,092 B2 9/2010 Akridge  
D634,268 S 3/2011 Reishus  
D634,707 S 3/2011 Hosler  
D635,294 S 3/2011 Hosler  
D663,893 S 7/2012 Hosler

8,272,862 B2 9/2012 Pilcher  
D675,829 S \* 2/2013 Jakubow ..... D4/102  
D679,502 S \* 4/2013 Itano et al. .... D4/102  
D683,139 S 5/2013 Chikos  
8,469,909 B2 6/2013 Pilcher  
8,484,788 B2 7/2013 Brewer

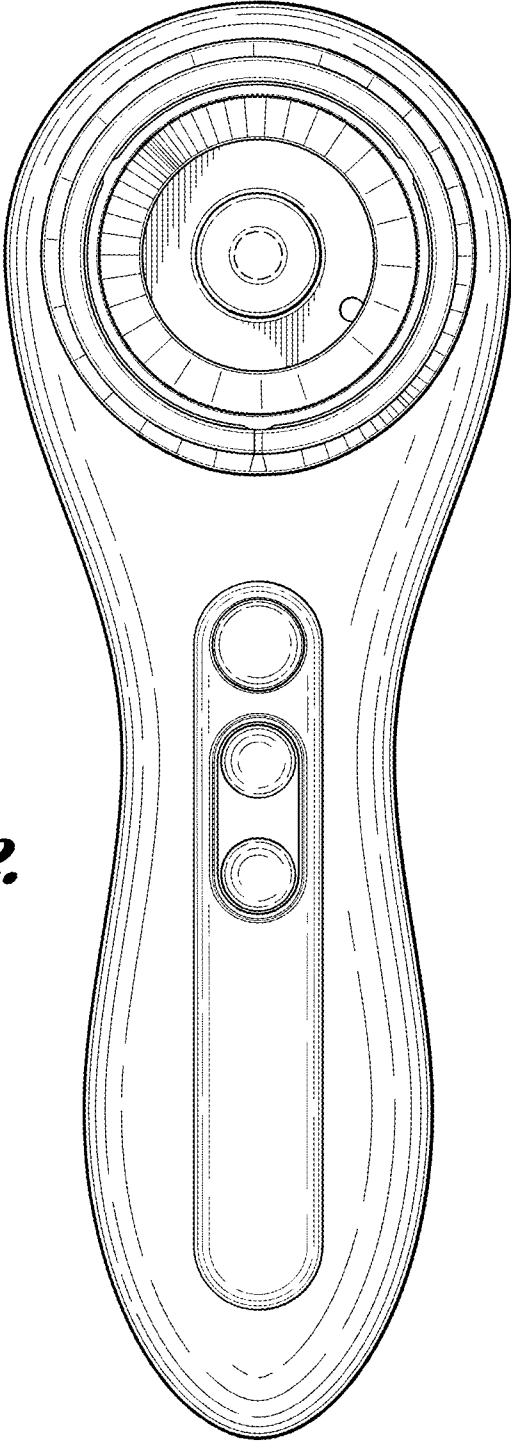
FOREIGN PATENT DOCUMENTS

JP 1219513 S \* 10/2004  
KR 30-0336751 S \* 11/2003  
KR 30-0382555 S \* 5/2005  
KR 30-0433807 S \* 12/2006

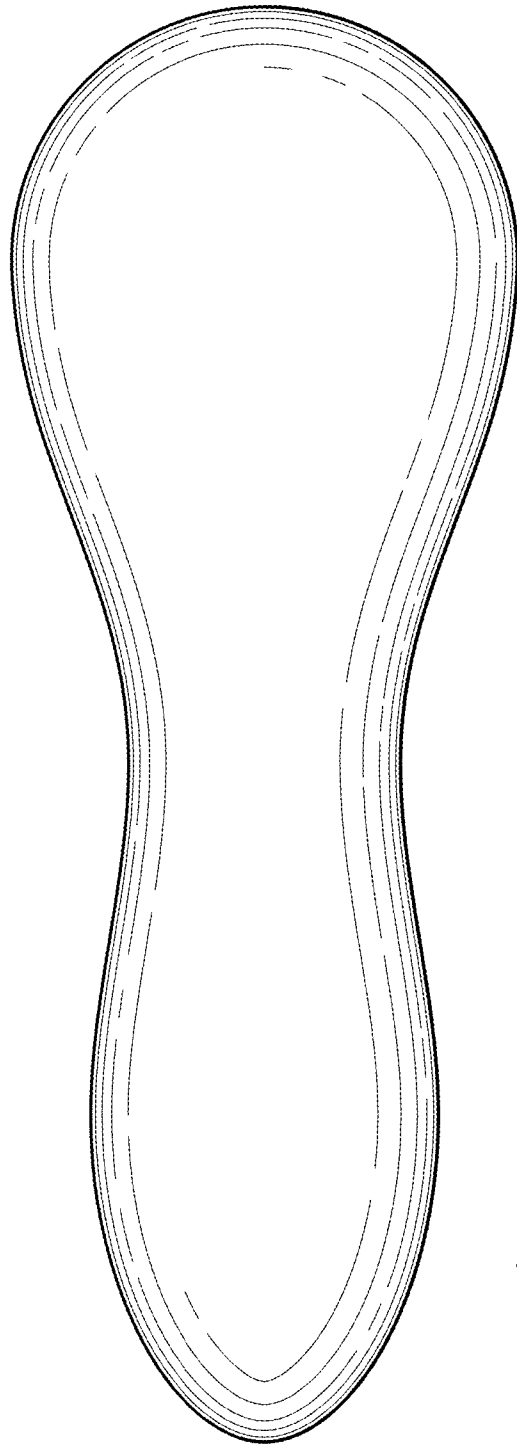
\* cited by examiner



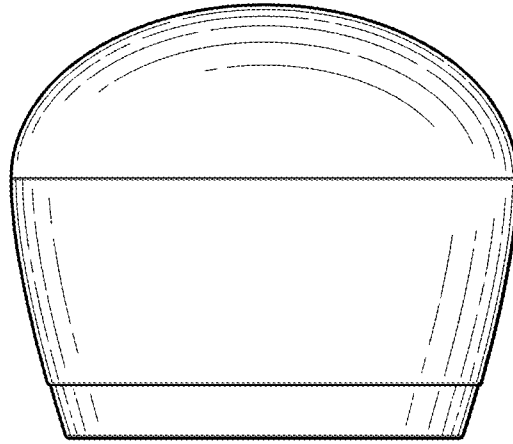
*Fig. 1.*



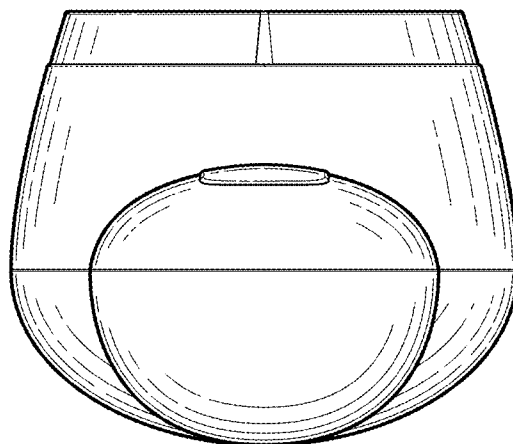
*Fig. 2.*



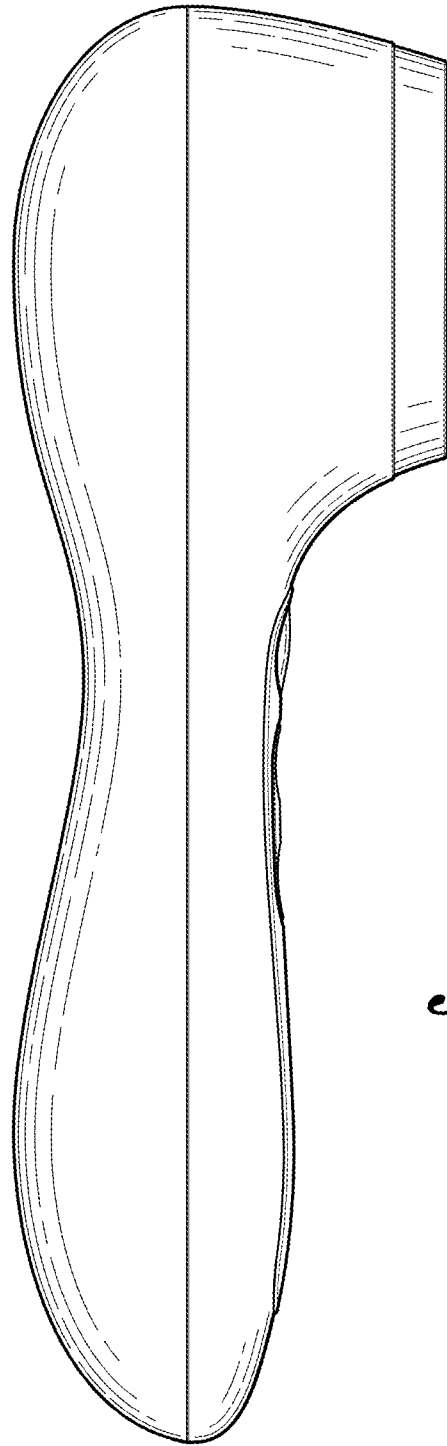
*Fig. 3.*



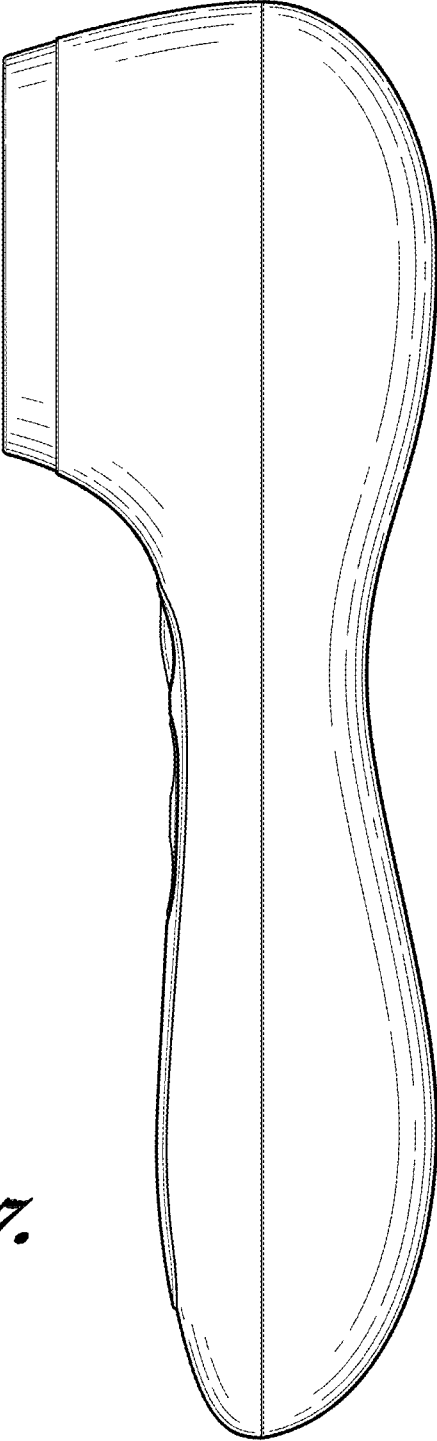
*Fig. 4.*



*Fig. 5.*

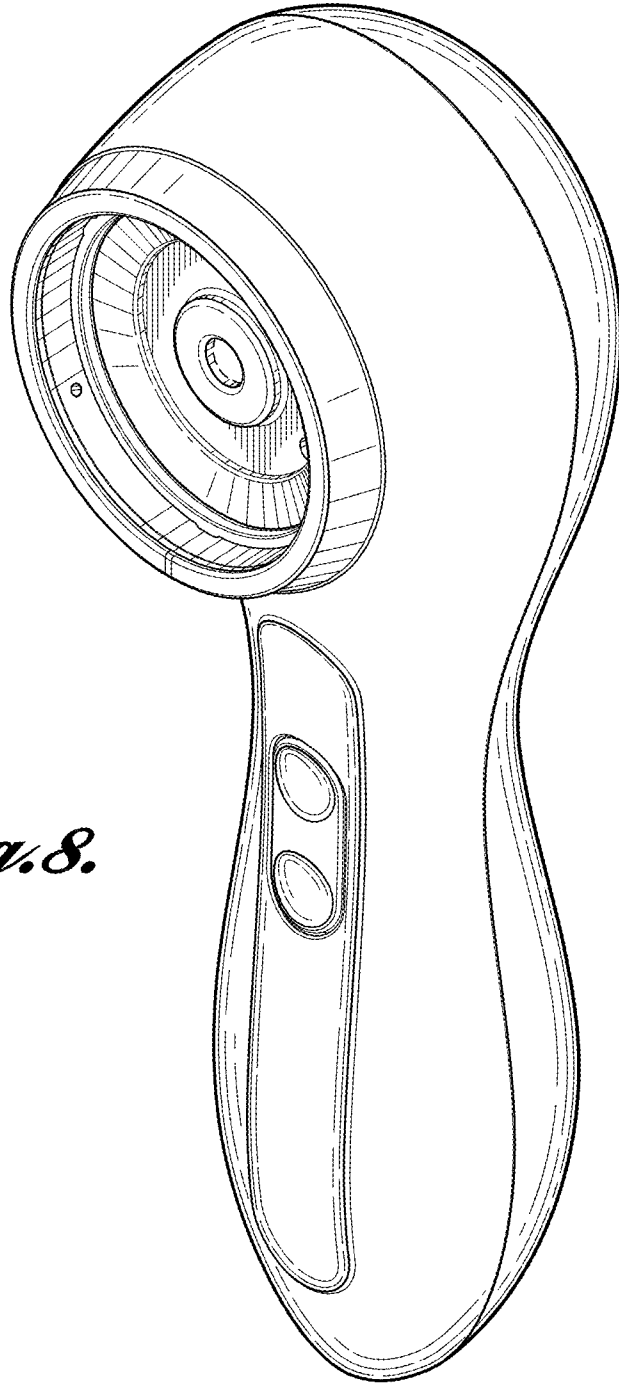


*Fig. 6.*

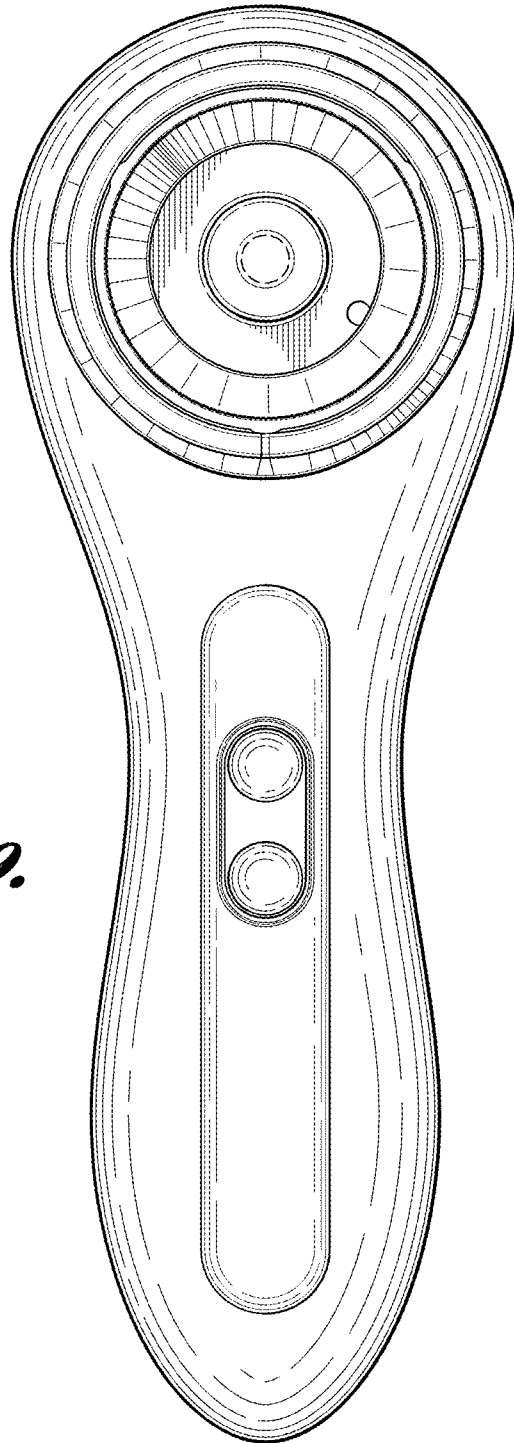


*Fig. 7.*

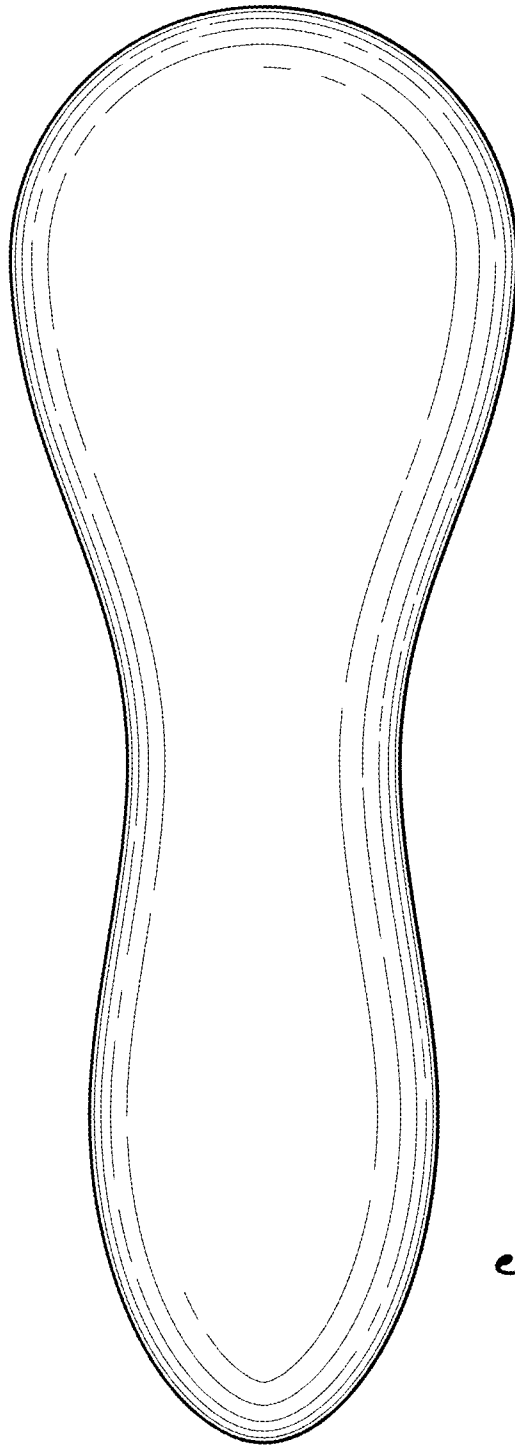




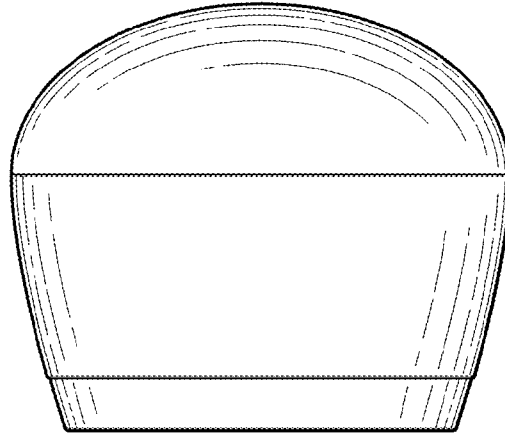
*Fig. 8.*



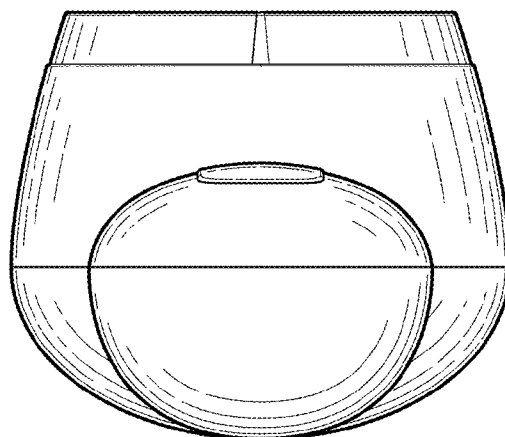
*Fig. 9.*



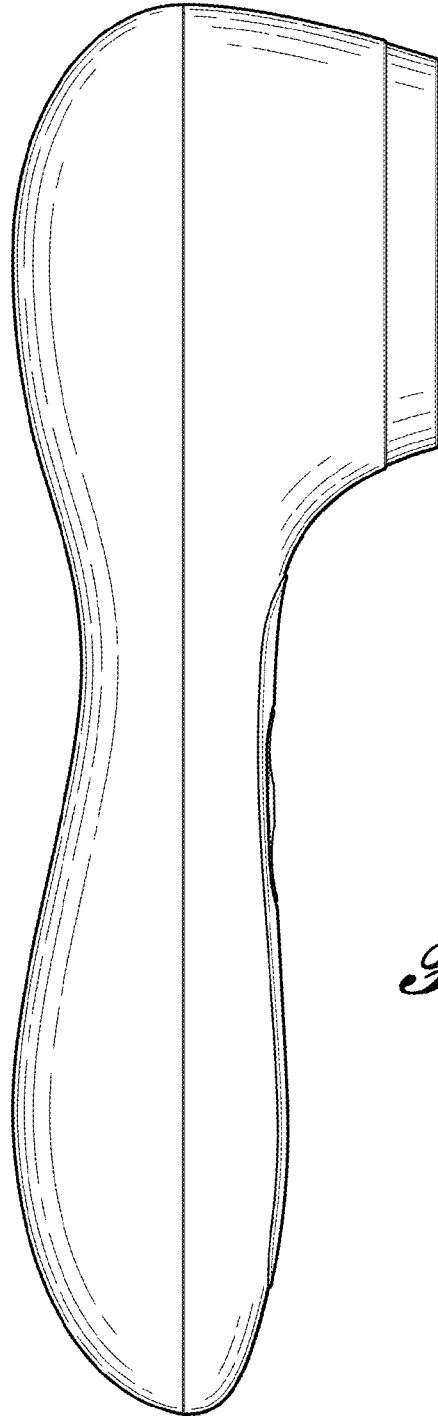
*Fig. 10.*



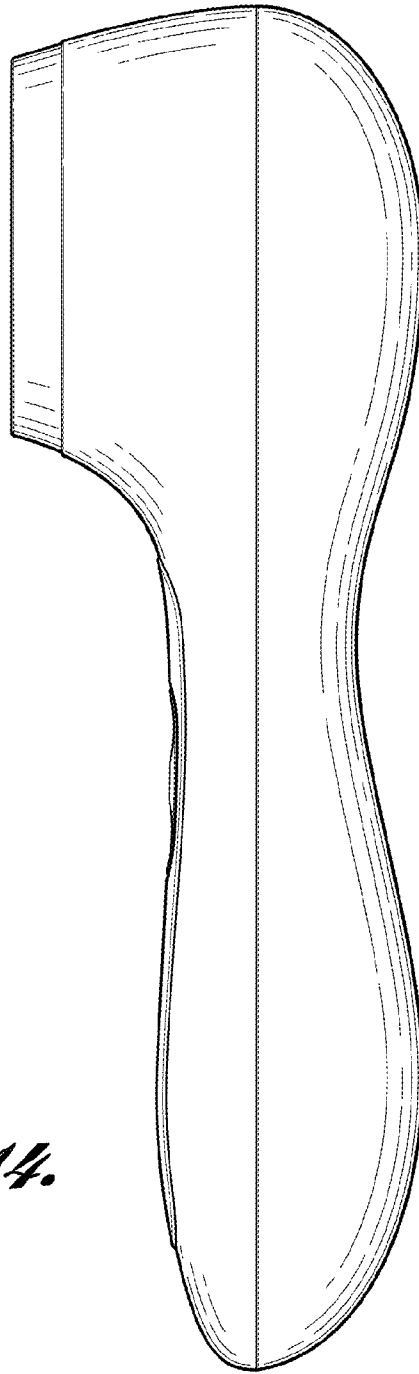
*Fig. 11.*



*Fig. 12.*



*Fig. 13.*



*Fig. 14.*