



US00D672630S

(12) **United States Design Patent**
Talley et al.

(10) **Patent No.:** **US D672,630 S**

(45) **Date of Patent:** **** Dec. 18, 2012**

(54) **POCKET FORMING INSERT**

(75) Inventors: **Nick Talley**, Newnan, GA (US); **Bobbie Don Peacock**, Peachtree City, GA (US); **Bobbie Don Peacock, Jr.**, Newnan, GA (US); **Bryan N. Wilmoth**, Griffin, GA (US); **Tom Holak**, Peachtree City, GA (US)

4,140,293	A *	2/1979	Hansen	D8/349
D259,277	S *	5/1981	McDermott	D23/393
4,304,431	A	12/1981	Walston		
4,742,585	A *	5/1988	Logsdon	52/577
5,496,213	A *	3/1996	Miller	52/577
5,934,821	A *	8/1999	Shaw et al.	52/298
6,568,730	B1	5/2003	Paterson		
6,789,366	B1 *	9/2004	Febra	52/577

(Continued)

(73) Assignee: **M.A. Industries, Inc.**, Peachtree, GA (US)

Primary Examiner — Richard E Chilcot

(74) *Attorney, Agent, or Firm* — Kilpatrick Townsend & Stockton LLP

(**) Term: **14 Years**

(57) **CLAIM**

(21) Appl. No.: **29/352,423**

The ornamental design for a pocket forming insert, as shown and described.

(22) Filed: **Dec. 21, 2009**

DESCRIPTION

Related U.S. Application Data

(63) Continuation of application No. 12/228,101, filed on Sep. 23, 2008, now abandoned.

(51) **LOC (9) Cl.** **08-05**

(52) **U.S. Cl.** **D8/300; 52/577; D8/321**

(58) **Field of Classification Search** 52/122.1-126.7, 52/323, 576, 577; 249/1, 61, 83, 91, 184; D25/113, 118, 124, 125; D8/300, 321

See application file for complete search history.

FIG. 1 is a top perspective view of a pocket forming insert, showing our new design.

FIG. 2 is a left side elevation view of the pocket forming insert of FIG. 1, the right side elevation view being a mirror image of the right side view.

FIG. 3 is a front elevation view of the pocket forming insert of FIG. 1.

FIG. 4 is a rear elevation view of the pocket forming insert of FIG. 1.

FIG. 5 is a top plan view of the pocket forming insert of FIG. 1.

FIG. 6 is a top perspective view of the pocket forming insert of FIG. 1, showing a lift cable used in the pocket forming insert; and,

FIG. 7 is a top perspective view of the pocket forming insert of FIG. 1, showing a cover and another configuration of a lift cable used in the pocket forming insert.

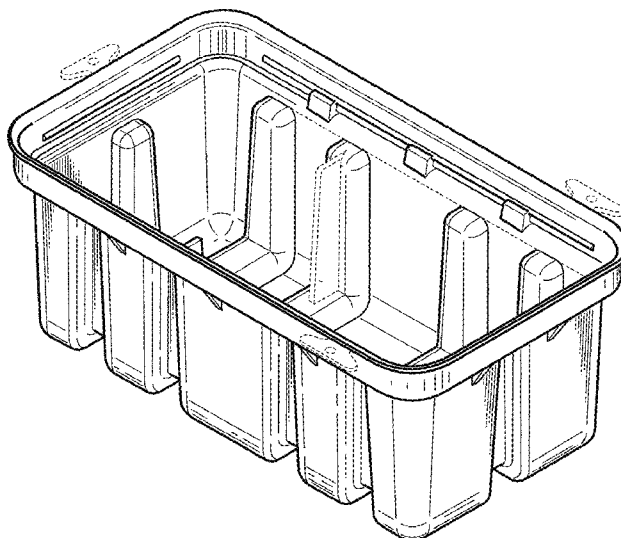
Portions or features of the pocket forming insert not shown in the drawings form no part of the claimed design. The broken lines in the drawings form no part of the claimed design.

(56) **References Cited**

U.S. PATENT DOCUMENTS

1,062,077	A *	5/1913	Burk	52/577
1,753,496	A *	4/1930	Barton	52/577
2,315,956	A *	4/1943	Heath	52/577
2,347,310	A	4/1944	Zuber		
3,512,747	A *	5/1970	Stark	249/134
3,708,929	A *	1/1973	Estes et al.	52/577
3,908,323	A *	9/1975	Stout	52/577
3,916,590	A	11/1975	Miller		
4,026,082	A *	5/1977	Crofoot	52/656.2
4,089,502	A *	5/1978	Miller	249/177

1 Claim, 5 Drawing Sheets



US D672,630 S

Page 2

U.S. PATENT DOCUMENTS			
7,395,635	B2 *	7/2008	Neef et al. 52/125.4
2007/0126249	A1	6/2007	Leach
2007/0164575	A1	7/2007	Leach
2007/0214740	A1 *	9/2007	O'Grady 52/577
* cited by examiner			

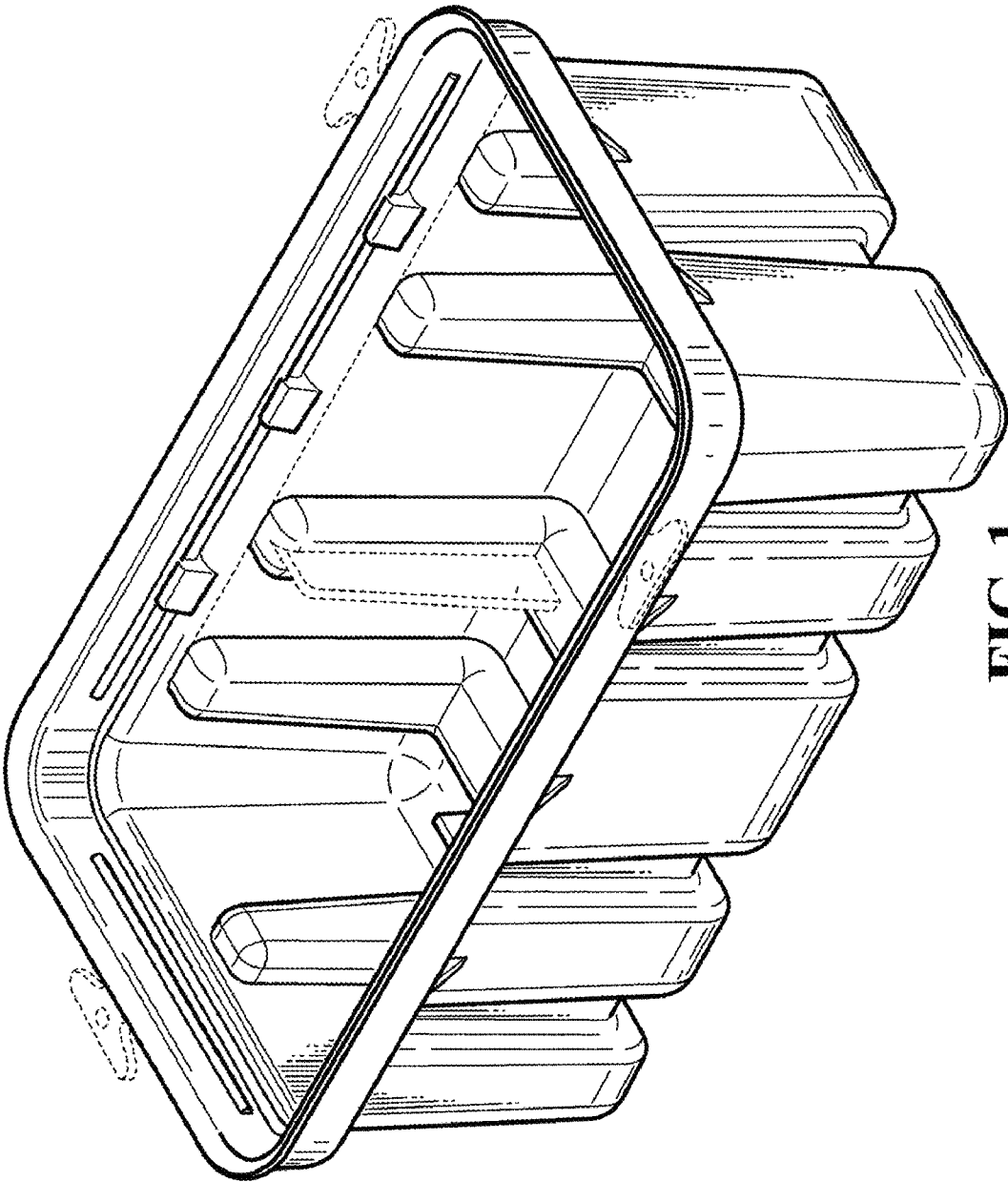


FIG. 1

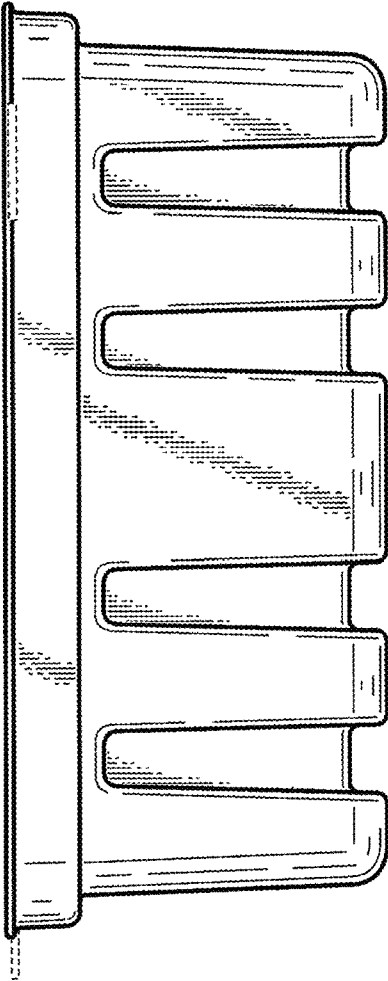


FIG. 2

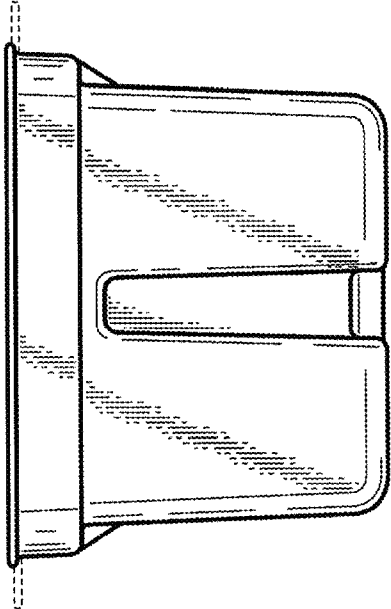


FIG. 4

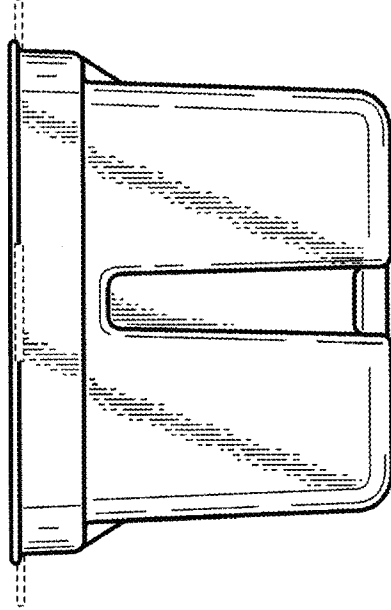


FIG. 3

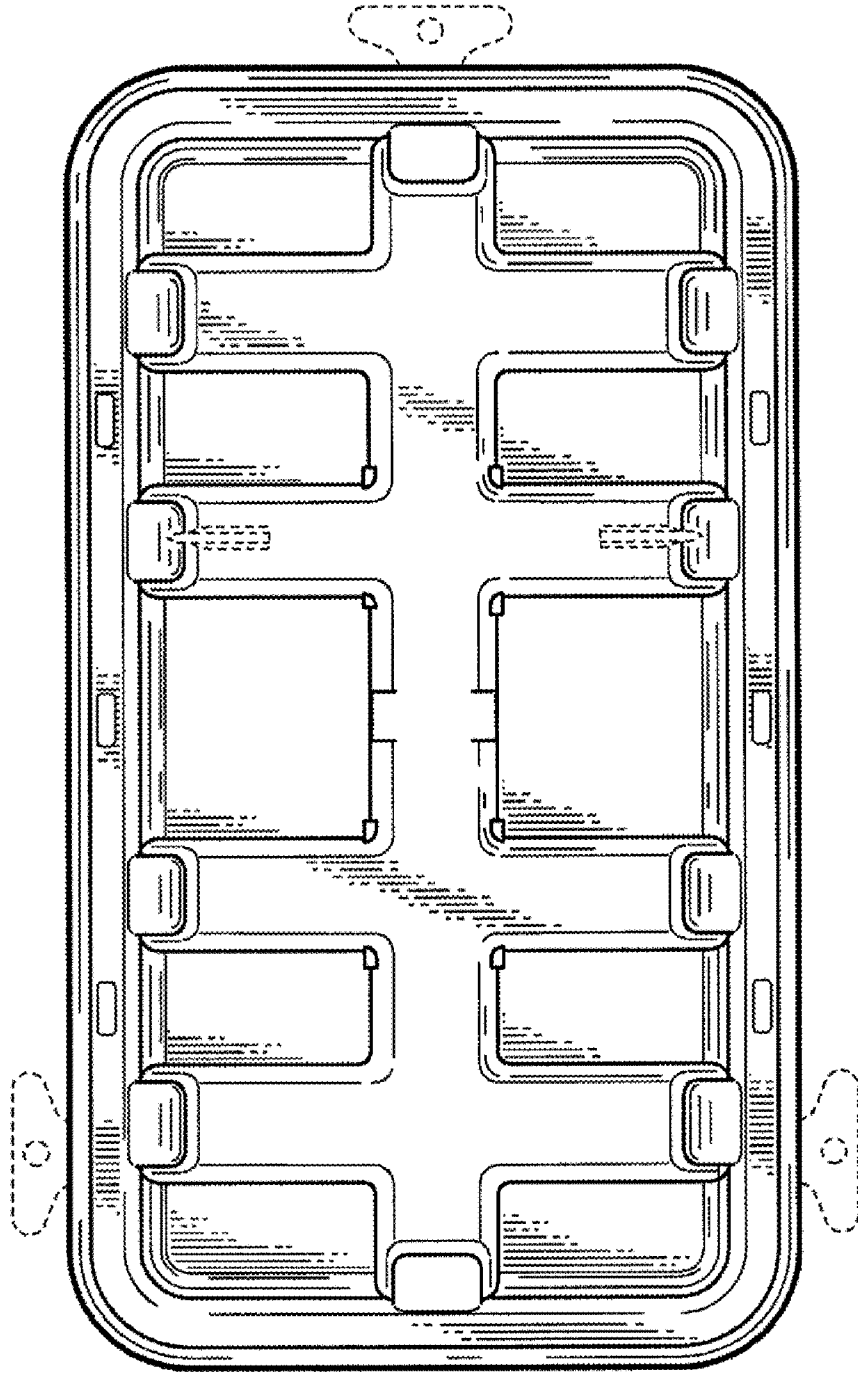


FIG. 5

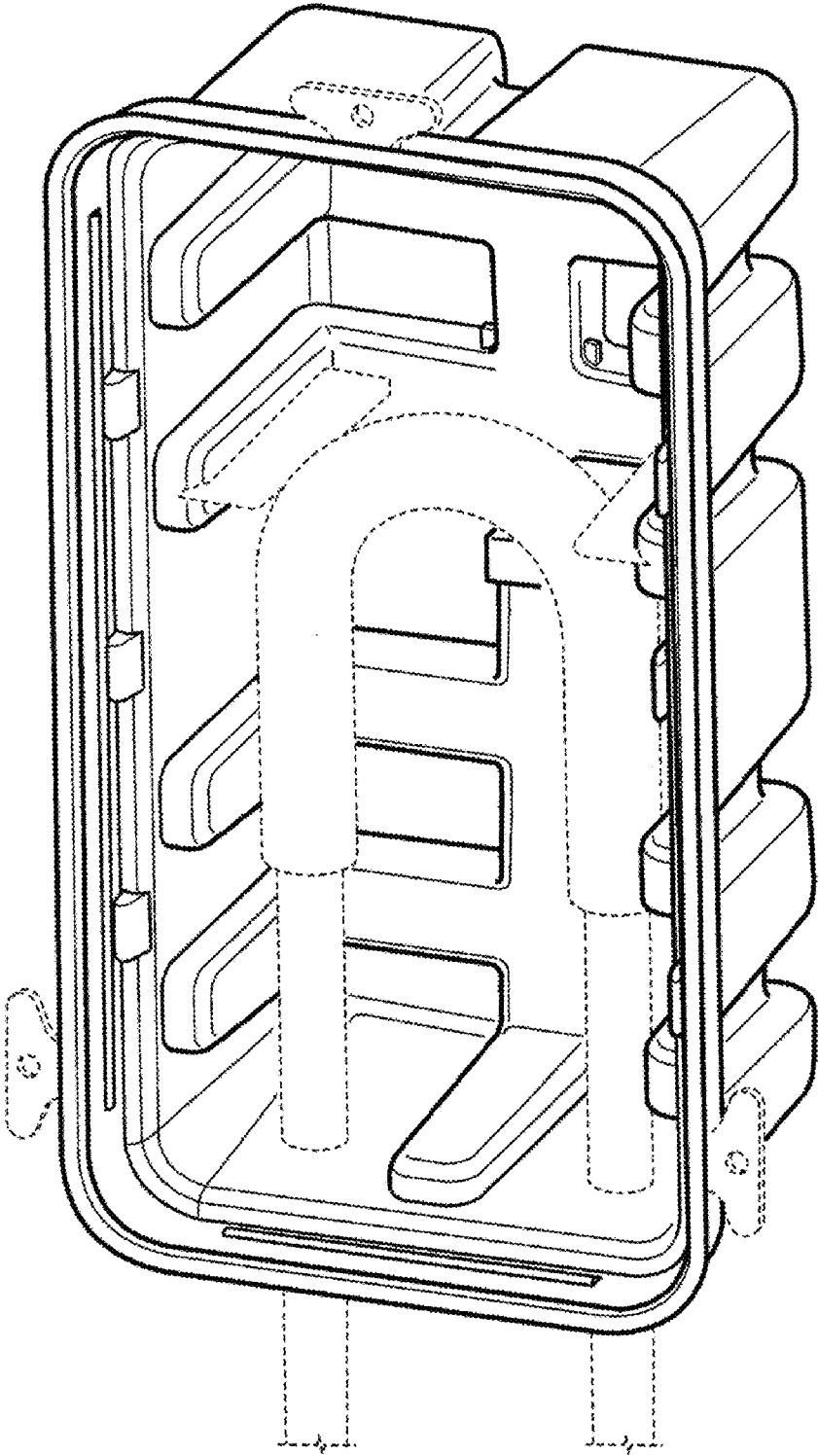


FIG. 6

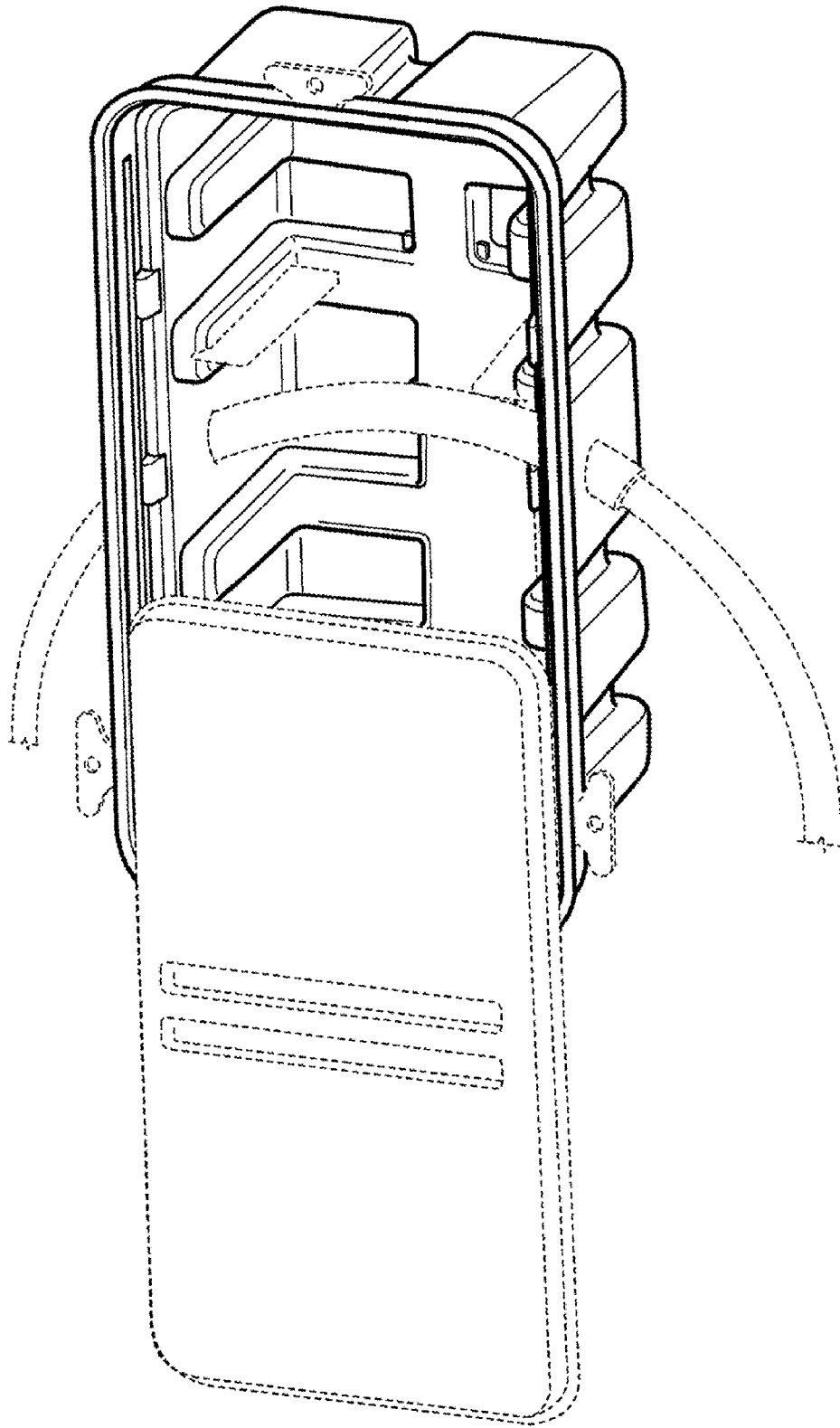


FIG. 7