



US00D669589S

(12) **United States Design Patent**
Delaey

(10) **Patent No.:** **US D669,589 S**

(45) **Date of Patent:** **** Oct. 23, 2012**

(54) **BLOOD SYSTEM CARTRIDGE**

(56) **References Cited**

(75) Inventor: **Tom Philippe Jean-Jacques Delaey,**
Mol (BE)

U.S. PATENT DOCUMENTS

(73) Assignee: **Koninklijke Philips Electronics N.V.,**
Eindhoven (NL)

D354,287 S *	1/1995 Tokiyama	D14/253
D439,669 S *	3/2001 Grunstad et al.	D24/169
D462,771 S *	9/2002 Weber	D24/169
D495,336 S *	8/2004 Andre et al.	D14/434
D538,433 S *	3/2007 Lorimer et al.	D24/169
D555,589 S *	11/2007 Hussaini et al.	D13/108
D601,259 S *	9/2009 Guthrie et al.	D24/169
D625,729 S *	10/2010 McNames et al.	D14/434

(**) Term: **14 Years**

* cited by examiner

(21) Appl. No.: **29/386,186**

Primary Examiner — Anhdao Doan

(22) Filed: **Feb. 25, 2011**

(57) **CLAIM**

(30) **Foreign Application Priority Data**

The ornamental design for a blood system cartridge, as shown and described.

Aug. 31, 2010 (EM) 001743708-0003

DESCRIPTION

(51) **LOC (9) Cl.** **24-01**

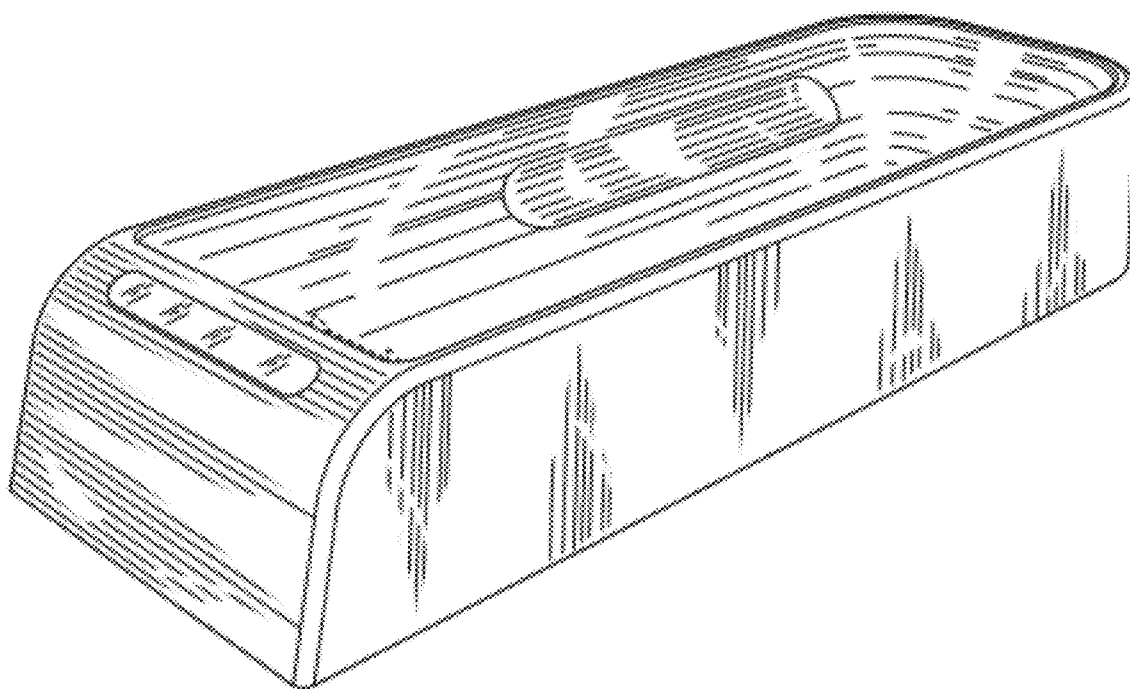
FIG. 1 is a perspective view showing my design;
FIG. 2 is a front elevational view thereof;
FIG. 3 is a rear elevational view thereof;
FIG. 4 is a right side elevational view thereof;
FIG. 5 is a left side elevational view thereof;
FIG. 6 is a top plan view thereof; and,
FIG. 7 is a bottom plan view thereof.
The portions of the blood system cartridge shown in broken lines form no part of the claimed design.

(52) **U.S. Cl.** **D24/169**

(58) **Field of Classification Search** D24/165-169,
D24/107, 186, 216, 231, 232; D10/46, 81;
D14/341, 251, 253, 434; 422/56, 58, 68.1;
600/316, 322, 347, 365, 368; D8/108; 379/428.4,
379/454; 320/107, 114, 115, DIG. 35

See application file for complete search history.

1 Claim, 5 Drawing Sheets



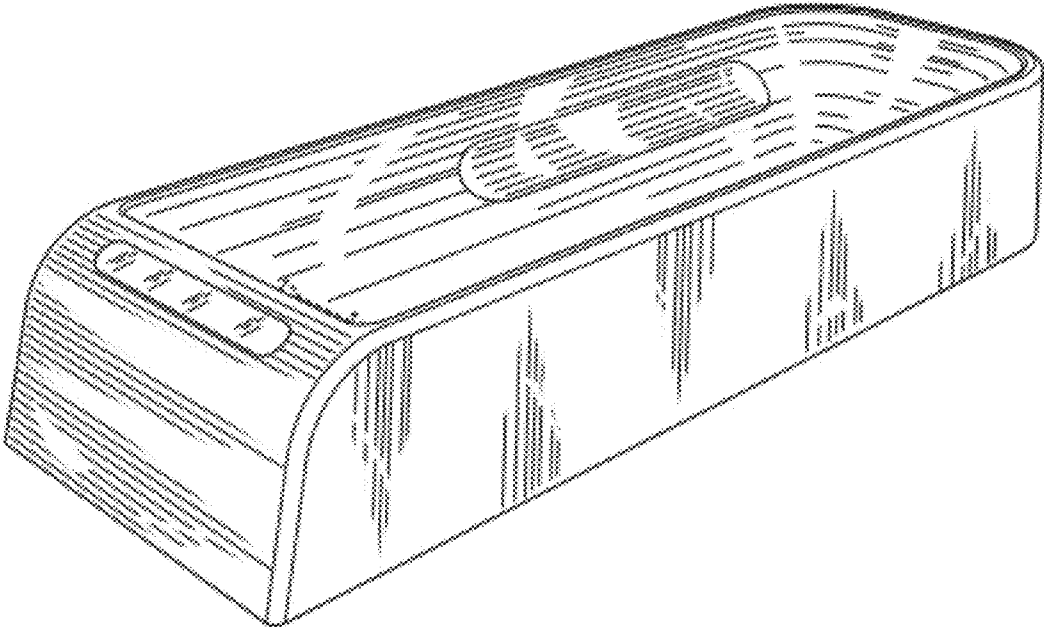


FIG. 1

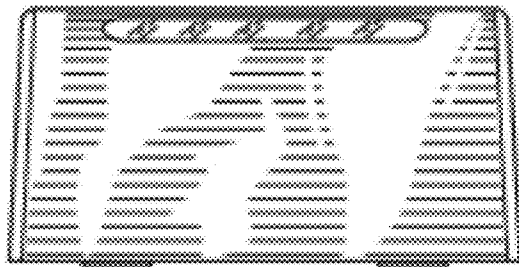


FIG. 2

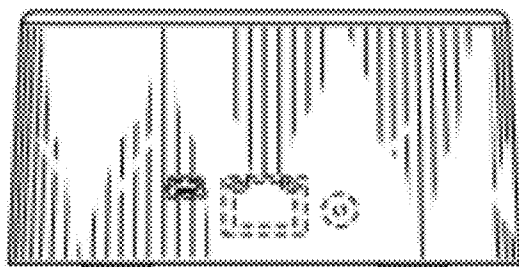


FIG. 3



FIG. 4

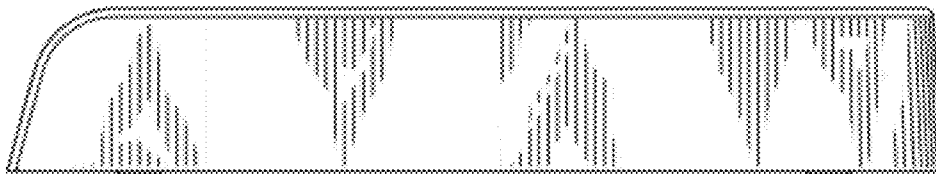


FIG. 5

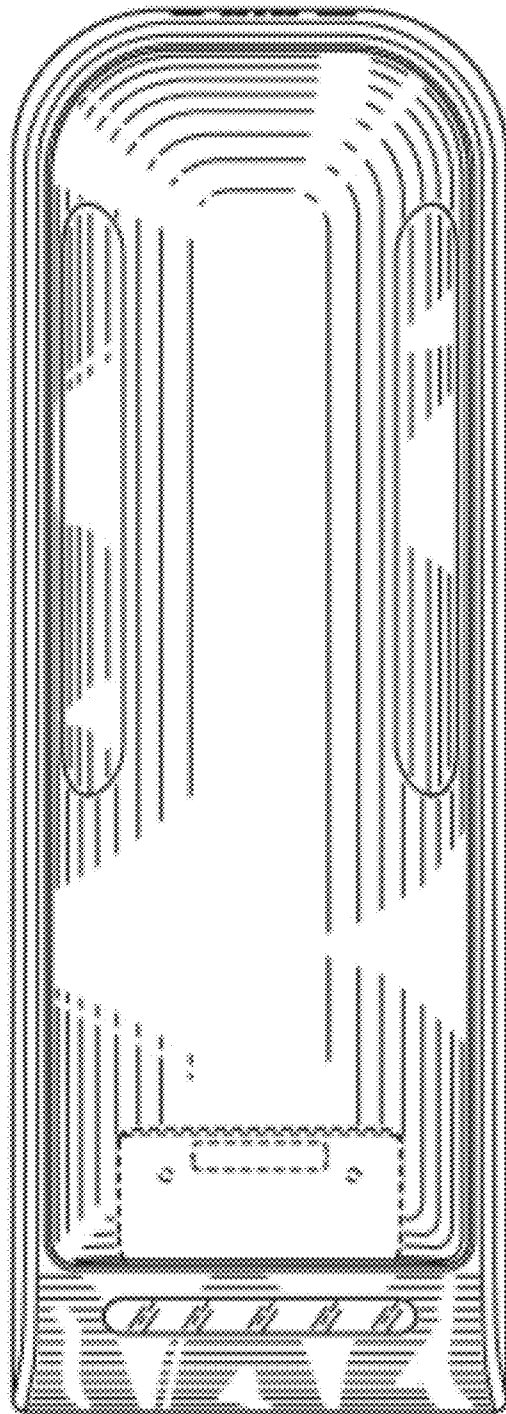


FIG. 6

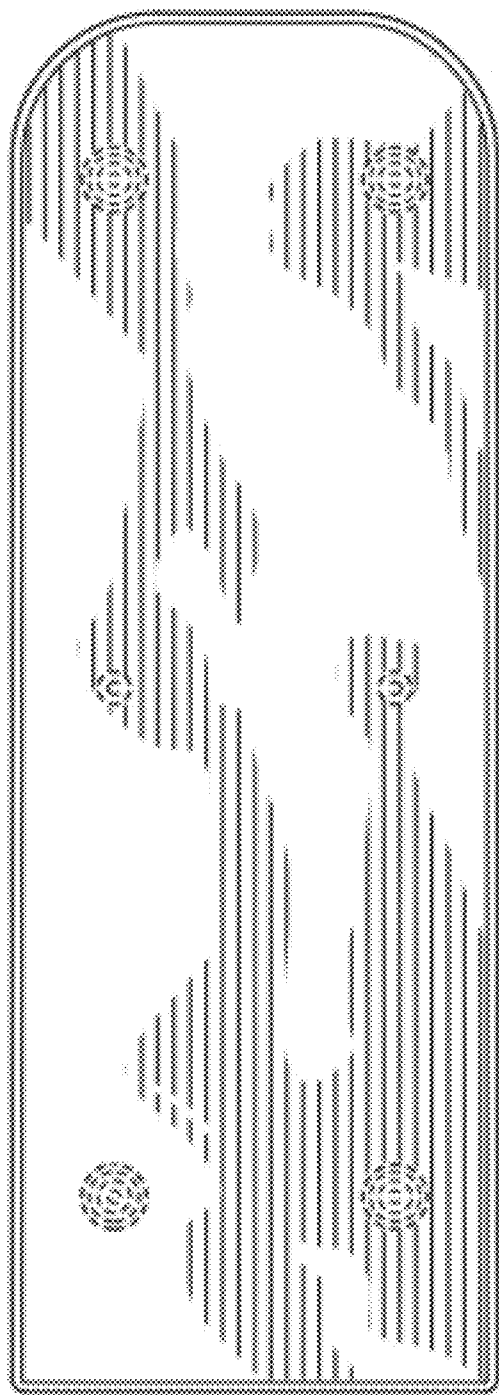


FIG. 7