



(12) **United States Design Patent**
Lynch

(10) **Patent No.:** **US D1,012,939 S**
(45) **Date of Patent:** **** Jan. 30, 2024**

(54) **CASE FOR PORTABLE ELECTRONIC DEVICE**

D801,976 S 11/2017 Li
D808,395 S 1/2018 Fenton
D810,732 S 2/2018 Fenton et al.

(Continued)

(71) Applicant: **Pioneer Square Brands, Inc.**, Seattle, WA (US)

FOREIGN PATENT DOCUMENTS

(72) Inventor: **Riley Edwin Lynch**, Greensboro, NC (US)

CN 308006412 * 4/2023
JP D1716417 * 6/2022

(Continued)

(73) Assignee: **Pioneer Square Brands, Inc.**, High Point, NC (US)

OTHER PUBLICATIONS

(**) Term: **15 Years**

Seattle tech cases company to move HQ to High Point, create 30 jobs, Sep. 22, 2023, retrieved Oct. 26, 2023, retrieved from the internet URL: < <https://www.bizjournals.com/triad/news/2023/09/22/pioneer-square-high-point-move.html> > (Year: 2023).*

(Continued)

(21) Appl. No.: **29/901,335**

(22) Filed: **Aug. 31, 2023**

(51) **LOC (14) Cl.** **14-02**

(52) **U.S. Cl.**
USPC **D14/440**

(58) **Field of Classification Search**
USPC D14/217, 250-253, 419, 420, 440, 447;
D13/108; D3/218; D18/4.4
CPC .. F16M 13/00; F16M 11/06; A45C 2011/002;
B60R 11/02; B60R 2325/205; H04M
1/12; H04M 1/02; H04M 1/04; B62J
11/00

See application file for complete search history.

Primary Examiner — Janice Hallmark
Assistant Examiner — Rodolfo Castro, Jr.
(74) *Attorney, Agent, or Firm* — Grandview Law

(57) **CLAIM**

The ornamental design for a case for portable electronic device, as shown and described.

DESCRIPTION

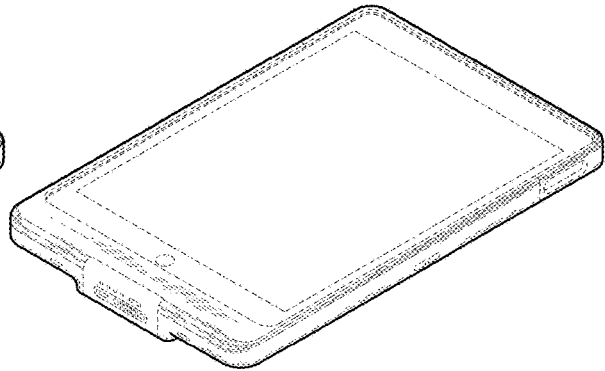
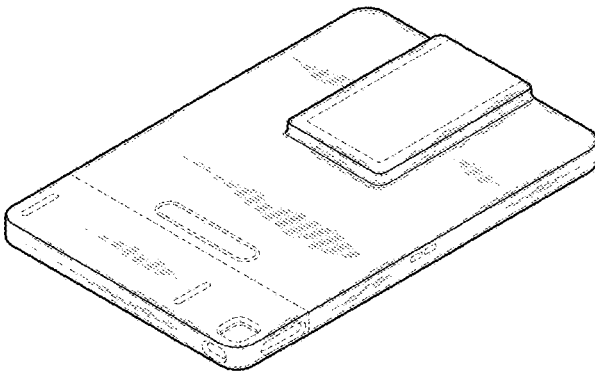
FIG. 1 is a rear perspective view of a case for portable electronic device showing our new design.
FIG. 2 is a front perspective view thereof.
FIG. 3 is a top plan view thereof.
FIG. 4 is a bottom plan view thereof.
FIG. 5 is a front elevational view thereof.
FIG. 6 is a rear elevational view thereof.
FIG. 7 is a left elevational view thereof; and,
FIG. 8 is a right elevational view thereof.
The broken lines in the drawing figures form no part of the claimed design and depict portions of the case for portable electronic device that form no part of the claimed design.

(56) **References Cited**

U.S. PATENT DOCUMENTS

D331,906 S * 12/1992 Mohri D13/103
D681,641 S 5/2013 Van Den Nieuwenhuizen et al.
D698,384 S * 1/2014 Cruz D18/4.4
D721,080 S 1/2015 Mecchella et al.
D724,093 S 3/2015 Dong
D725,181 S * 3/2015 Azuma D18/4.4
D726,190 S * 4/2015 Lee D14/440
D727,915 S 4/2015 Mecchella et al.
D789,937 S 6/2017 Zhang

1 Claim, 6 Drawing Sheets



(56)

References Cited

U.S. PATENT DOCUMENTS

D812,620 S 3/2018 Cheng
 D816,087 S 4/2018 Fenton et al.
 D817,334 S 5/2018 Fenton et al.
 D819,038 S 5/2018 Diebel
 D837,796 S 1/2019 Kim et al.
 D852,201 S 1/2019 Chan et al.
 D841,012 S 2/2019 Kim et al.
 D841,013 S 2/2019 Ferren et al.
 D861,698 S 2/2019 Fenton et al.
 D844,611 S 4/2019 Ferren et al.
 D848,441 S 5/2019 Ferren et al.
 D850,454 S 6/2019 Kim et al.
 D852,199 S 6/2019 Kim et al.
 D852,200 S 6/2019 Chan et al.
 D863,314 S 7/2019 Chan et al.
 D863,315 S 7/2019 Chan et al.
 D864,210 S 7/2019 Chan et al.
 D858,505 S * 9/2019 Zhang D13/103
 D863,316 S 9/2019 Chan et al.
 D862,480 S 10/2019 Chan et al.
 D863,317 S 10/2019 Piper et al.
 D868,788 S 12/2019 Weng
 D874,467 S 2/2020 Piper et al.
 D877,509 S 3/2020 Kilkenny
 D881,895 S 4/2020 Liu
 D887,415 S 6/2020 Claudepierre et al.
 D888,063 S 6/2020 Chan et al.
 D888,720 S 6/2020 Moore
 D892,806 S 8/2020 Manzano et al.
 D895,630 S 9/2020 Piper et al.
 D902,215 S 11/2020 Quan
 D902,934 S 11/2020 Manzano et al.
 D908,708 S 1/2021 Miller et al.
 D913,295 S 3/2021 Piper et al.
 D920,337 S 5/2021 Chan et al.
 D920,983 S 6/2021 Chan et al.
 D922,392 S 6/2021 Chan et al.
 D926,194 S 7/2021 Piper et al.
 D930,002 S 9/2021 Zhou
 D932,493 S 10/2021 Xiong
 D933,074 S 10/2021 Hu
 D934,262 S 10/2021 Manzano et al.
 D940,145 S 1/2022 Zhang
 D943,591 S 2/2022 Zhu
 D943,593 S 2/2022 Piper
 D947,201 S * 3/2022 Kirk D14/447
 D941,823 S 6/2022 Hu
 D963,654 S 9/2022 Yan

D964,994 S 9/2022 Chan et al.
 D964,995 S 9/2022 Troedson et al.
 D964,996 S 9/2022 Piper
 D964,997 S 9/2022 Chan
 D964,998 S 9/2022 Troedson et al.
 D965,599 S 10/2022 Piper
 D966,272 S 10/2022 Chan
 D966,273 S 10/2022 Chan et al.
 D967,112 S 10/2022 Troedson et al.
 D967,114 S 10/2022 Piper
 D967,828 S 10/2022 Cheng
 D967,830 S 10/2022 Cheng
 D969,120 S * 11/2022 Zaldivar D14/250
 D969,134 S 11/2022 Chan
 D970,510 S 11/2022 Cheng
 D971,221 S 11/2022 Chan et al.
 D971,924 S 12/2022 Zhou
 D972,574 S 12/2022 Li
 D973,058 S 12/2022 Li
 D973,666 S 12/2022 Ma
 D973,667 S 12/2022 Ma
 D975,097 S 1/2023 Guang et al.
 D976,914 S 1/2023 Huang
 D978,154 S 2/2023 Gao
 D978,864 S 2/2023 Long
 D978,868 S 2/2023 Gao
 D980,225 S 3/2023 Cheng
 D981,417 S 3/2023 Shah et al.
 D985,000 S 5/2023 Cheng
 D994,674 S 8/2023 Sun
 D997,177 S 8/2023 Hung

FOREIGN PATENT DOCUMENTS

KR 300718829.0000 * 12/2013
 KR 301185443.0000 * 10/2022

OTHER PUBLICATIONS

Connect System Kit, date not known, retrieved Oct. 26, 2023, retrieved from the internet URL: < <https://byvault.com/product/connect-next-generation-kit/> > (Year: 2023).*
 Vault Hand Grip for Vault Connect Case, Jul. 12, 2023, retrieved Oct. 26, 2023, retrieved from the internet URL: < <https://www.youtube.com/watch?v=YHWtmJ8riG8> > (Year: 2023).*
 NE360T Tablet Mobile POS, Feb. 8, 2022, retrieved Oct. 26, 2023, retrieved from the internet URL: < <https://www.youtube.com/watch?v=NGsYk2Lg3uY> > (Year: 2022).*

* cited by examiner

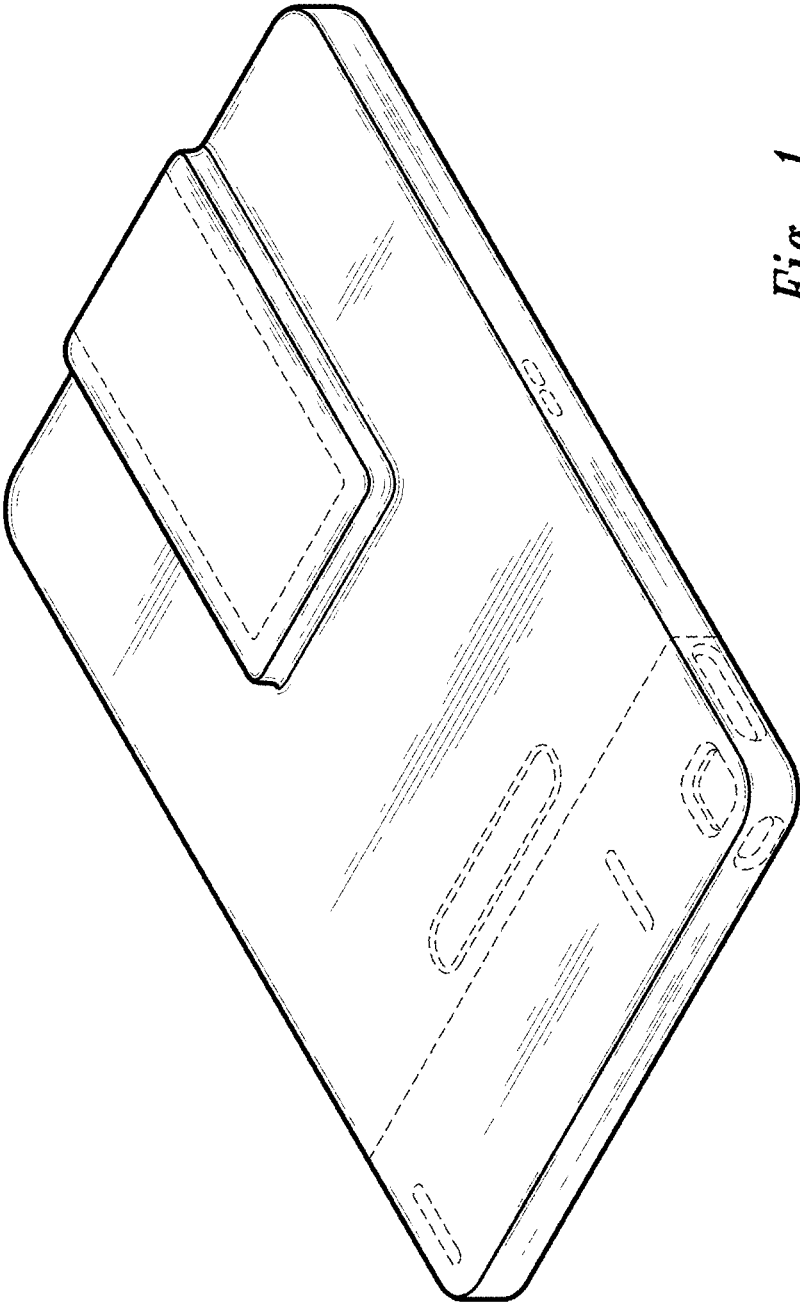


Fig. 1

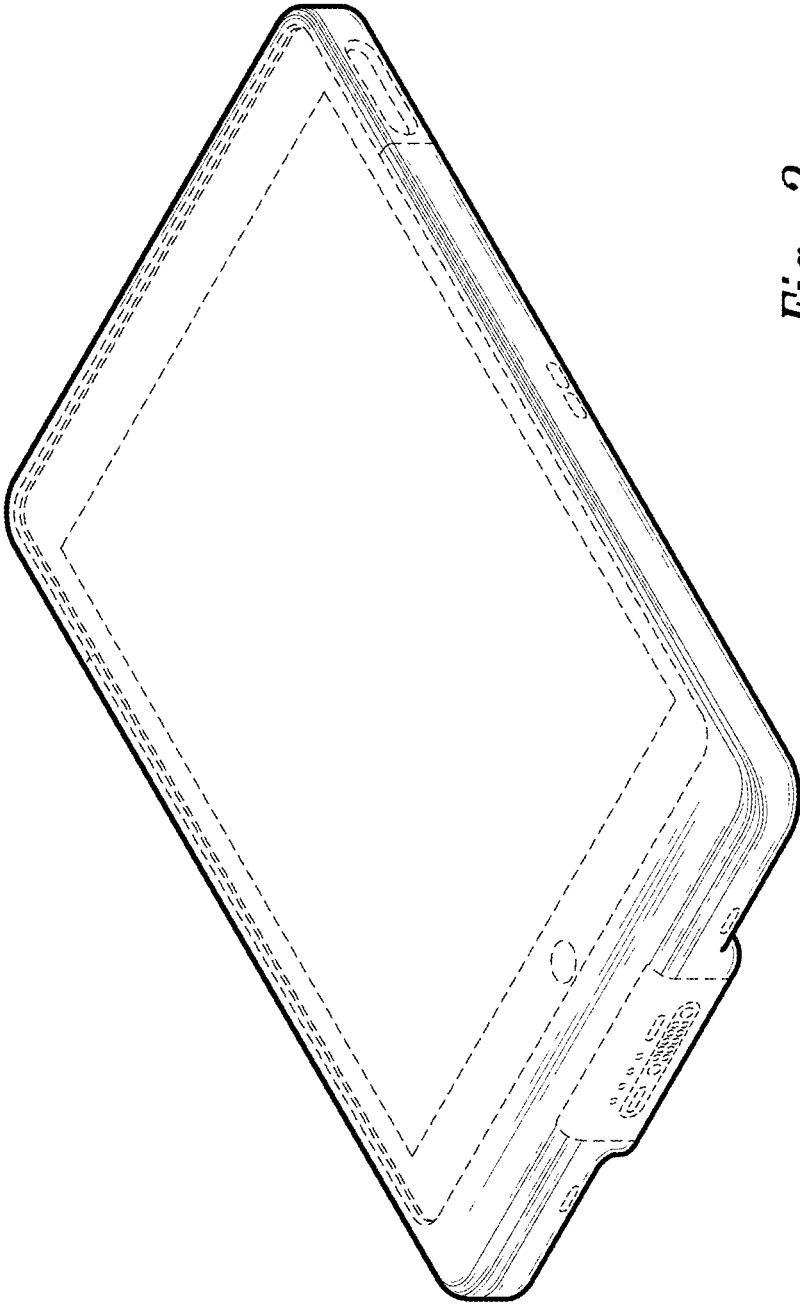


Fig. 2



Fig. 3

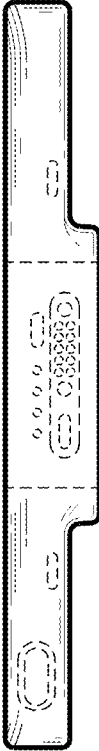


Fig. 4

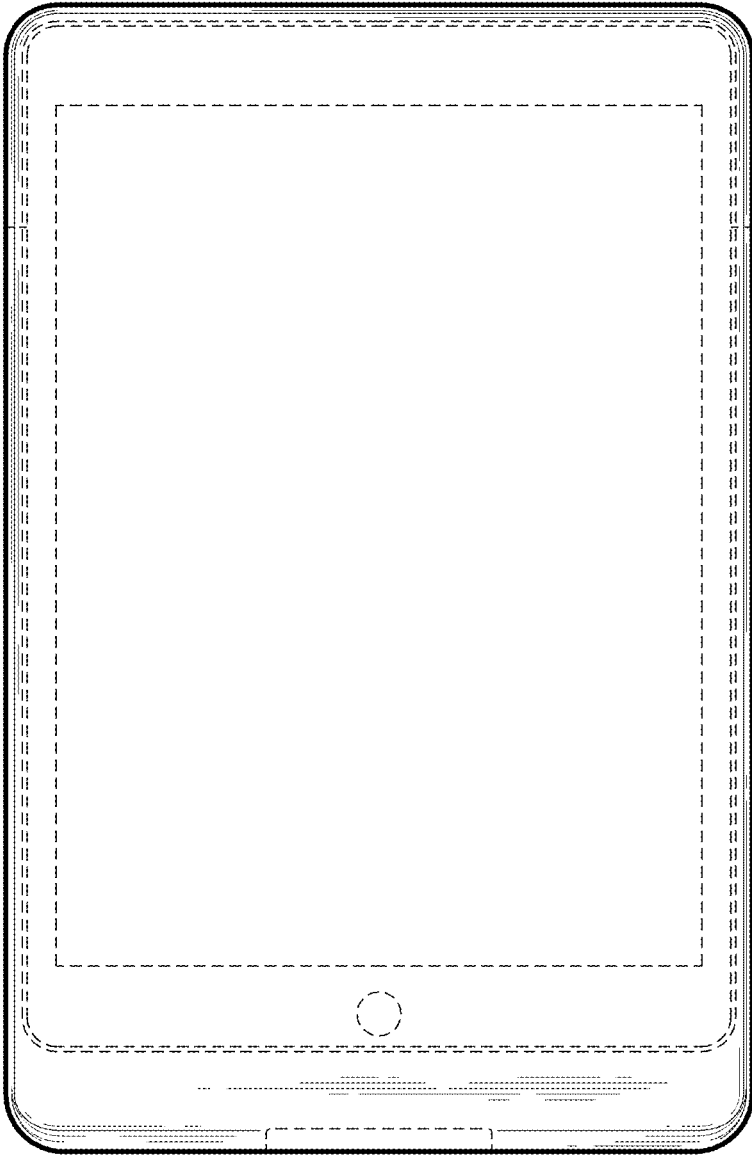


Fig. 5

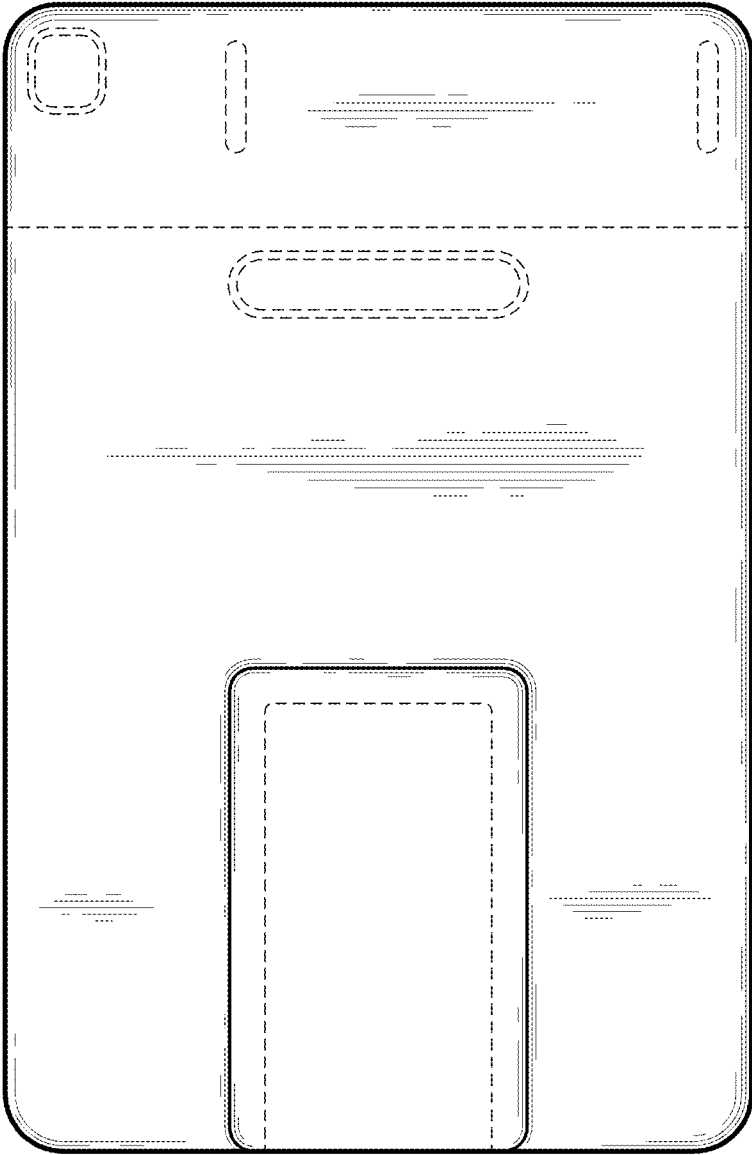


Fig. 6

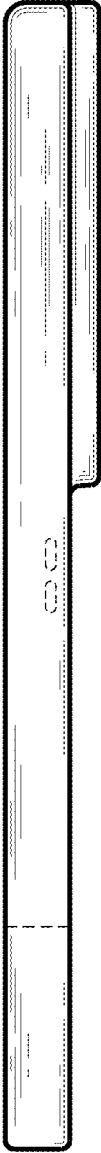


Fig. 7



Fig. 8