



US00D741552S

(12) **United States Design Patent**  
**Vito et al.**

(10) **Patent No.:** **US D741,552 S**

(45) **Date of Patent:** **\*\* Oct. 20, 2015**

(54) **KNEE PAD**

(71) Applicant: **Matscitechno Licensing Company,**  
Kennett Square, PA (US)

(72) Inventors: **Robert A. Vito,** Kennett Square, PA  
(US); **Michael Foerster,** Newton Square,  
PA (US)

(73) Assignee: **MATSCITECHNO LICENSING**  
**COMPANY,** Kennett Square, PA (US)

(\*\*) Term: **15 Years**

(21) Appl. No.: **29/526,755**

(22) Filed: **May 13, 2015**

**Related U.S. Application Data**

(62) Division of application No. 29/477,743, filed on Dec.  
26, 2013, now Pat. No. Des. 732,749.

(51) **LOC (10) Cl.** ..... **29-02**

(52) **U.S. Cl.**  
USPC ..... **D29/121.1**

(58) **Field of Classification Search**  
USPC ..... D29/10, 11, 100, 101.5, 122; D2/711,  
D2/713; 128/95.1, 96.1, 98.1, 846, 891;  
602/67, 72, 73, 96, 108, 114; 2/2, 455;  
450/38, 228, 267, 403, 405; 623/7;  
604/352, 353, 395

CPC ..... A41D 13/05; A41D 13/0525; A63B 71/08  
See application file for complete search history.

(56) **References Cited**

U.S. PATENT DOCUMENTS

D373,655 S	9/1996	Kalvestran et al.	
D377,851 S *	2/1997	Dancyger .....	D29/121.1
D380,876 S *	7/1997	Campbell .....	D29/121.1
D430,362 S	8/2000	Pagotto	
D466,254 S *	11/2002	Hung .....	D29/121.1
D517,248 S	3/2006	Castillo et al.	
D594,161 S *	6/2009	Worden .....	D29/121.1
D602,209 S *	10/2009	Cheung et al. ....	D29/121.1
D602,210 S	10/2009	Crye	
D656,278 S	3/2012	Saranga	
8,141,169 B2	3/2012	Saranga	
D717,499 S *	11/2014	Stauber .....	D29/121.1

\* cited by examiner

*Primary Examiner* — Randall Gholson

(74) *Attorney, Agent, or Firm* — RatnerPrestia

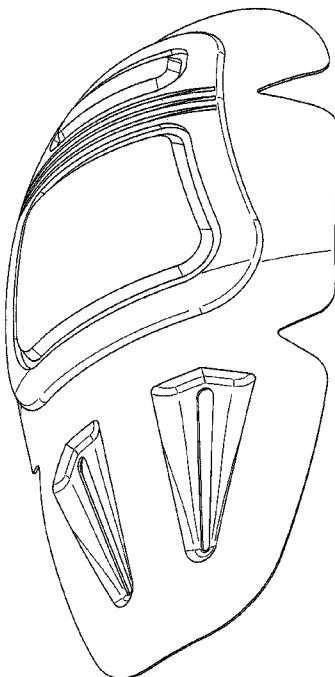
(57) **CLAIM**

The ornamental design for a knee pad, as shown and described.

**DESCRIPTION**

FIG. 1 is a perspective view from below and in front of the knee pad;  
FIG. 2 is a perspective view from above and behind the knee pad thereof;  
FIG. 3 is a front view thereof;  
FIG. 4 is a left side view thereof; the right side view being a mirror image;  
FIG. 5 is a rear view thereof;  
FIG. 6 is a top view thereof; and,  
FIG. 7 is a bottom view thereof.  
The broken lines depict portions of the knee pad that form no part of the claimed design.

**1 Claim, 6 Drawing Sheets**



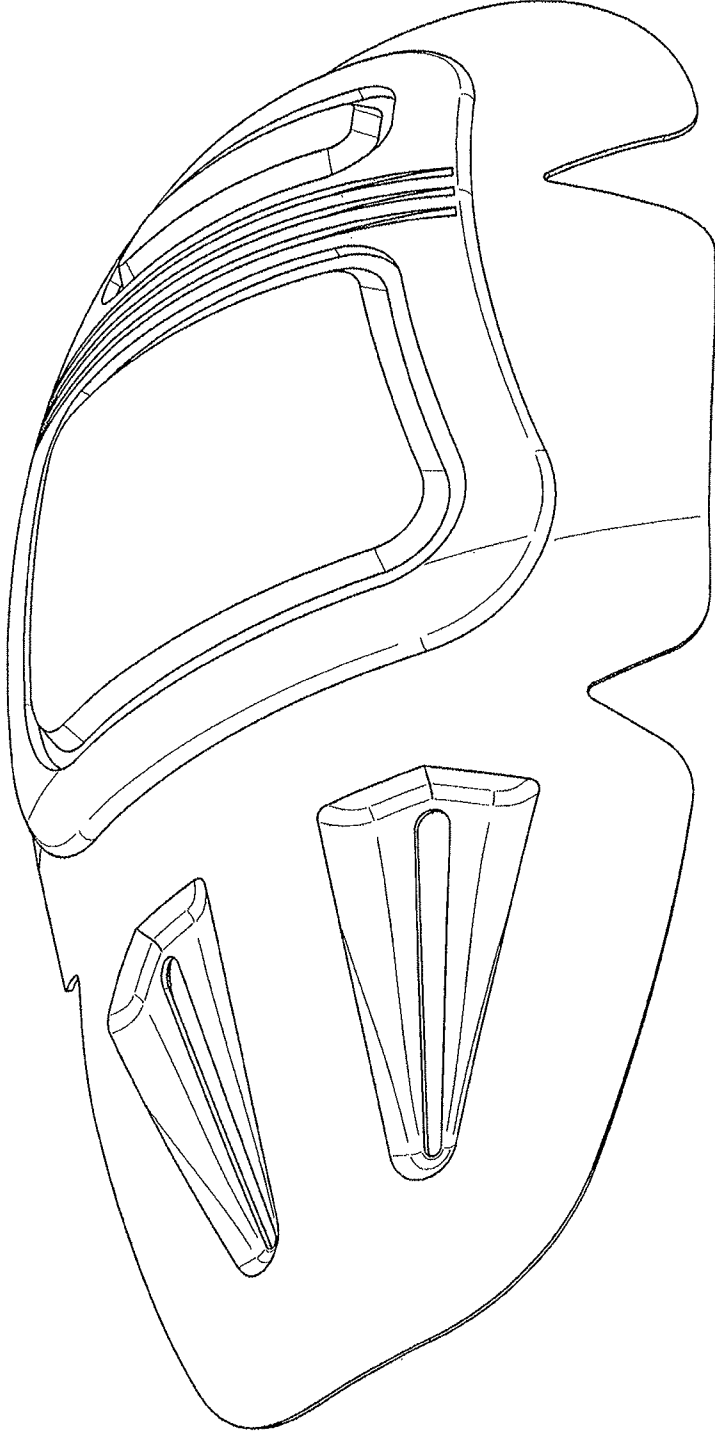


FIG. 1

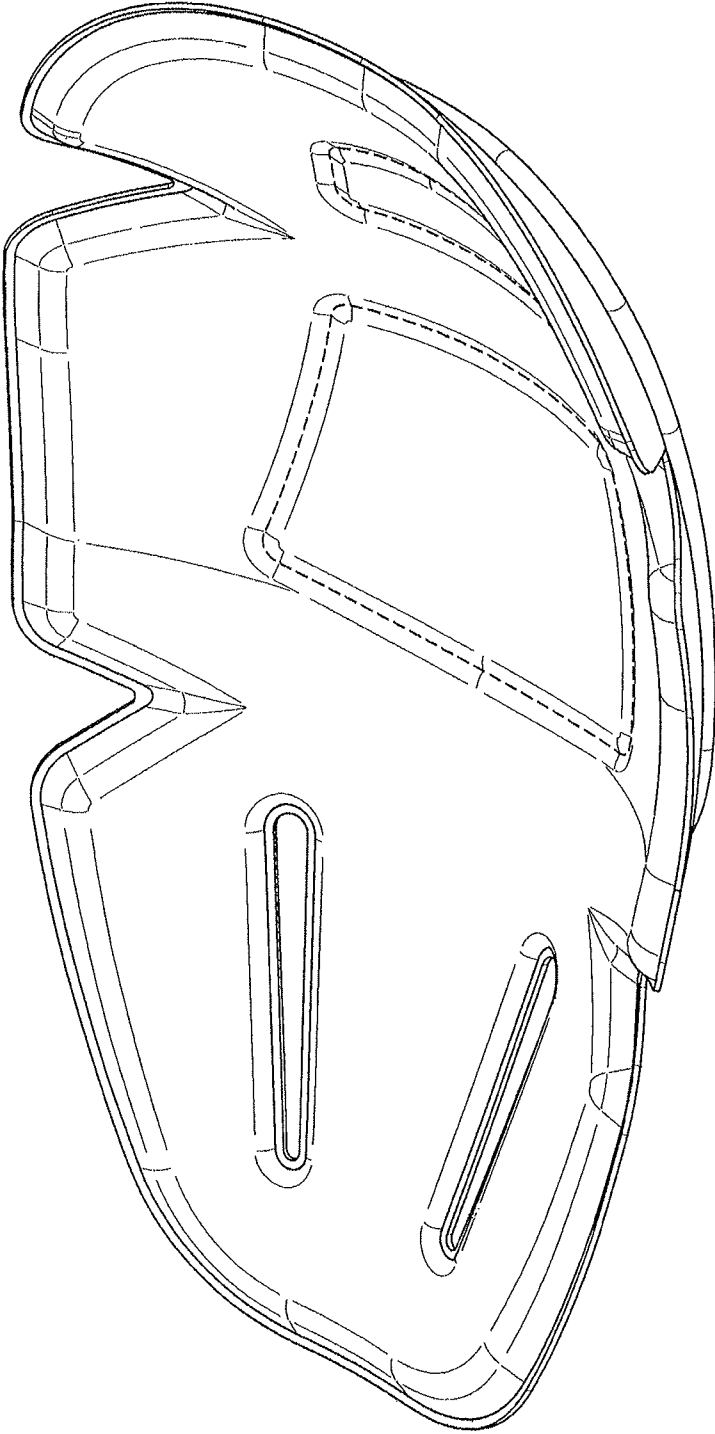


FIG. 2

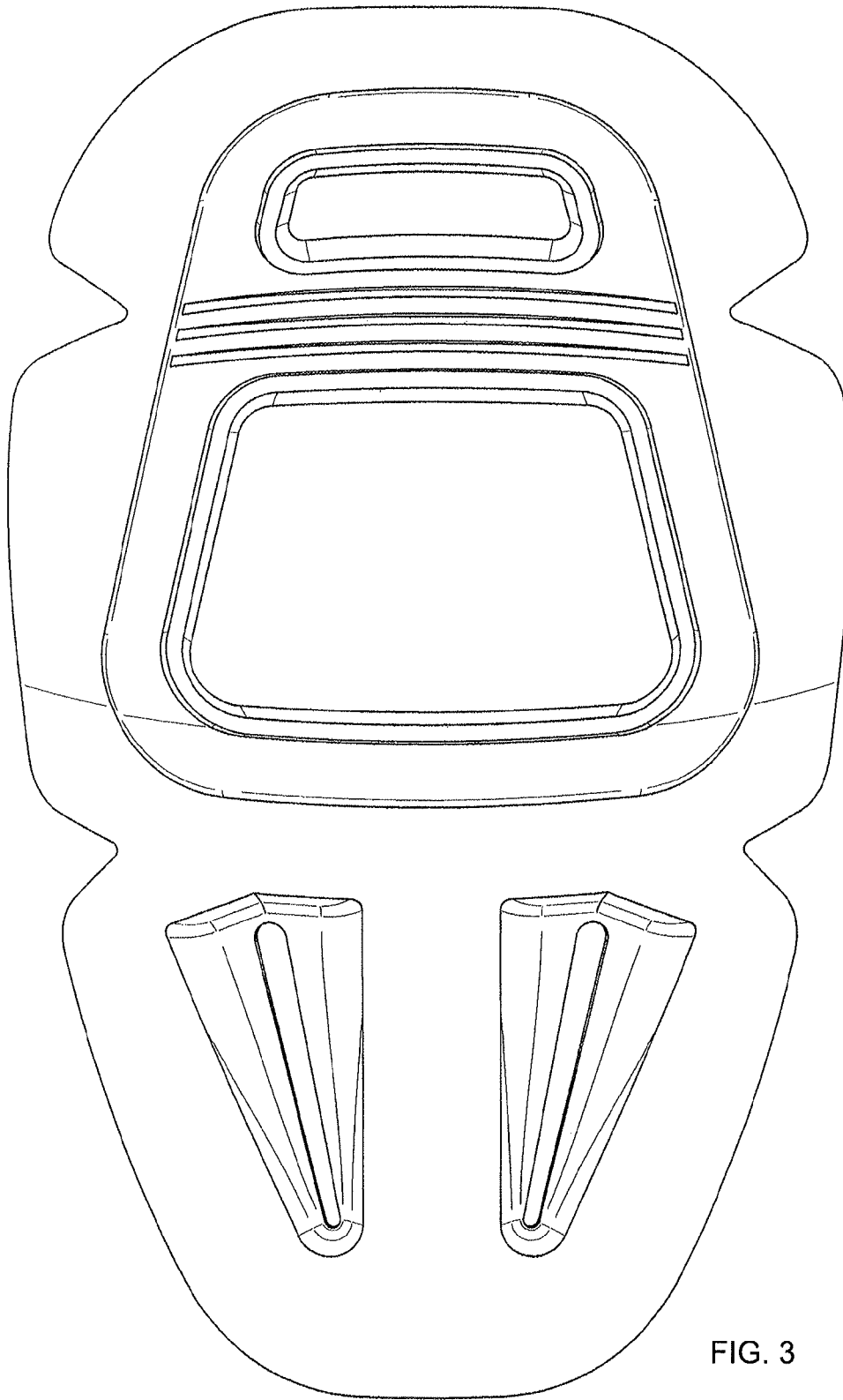


FIG. 3

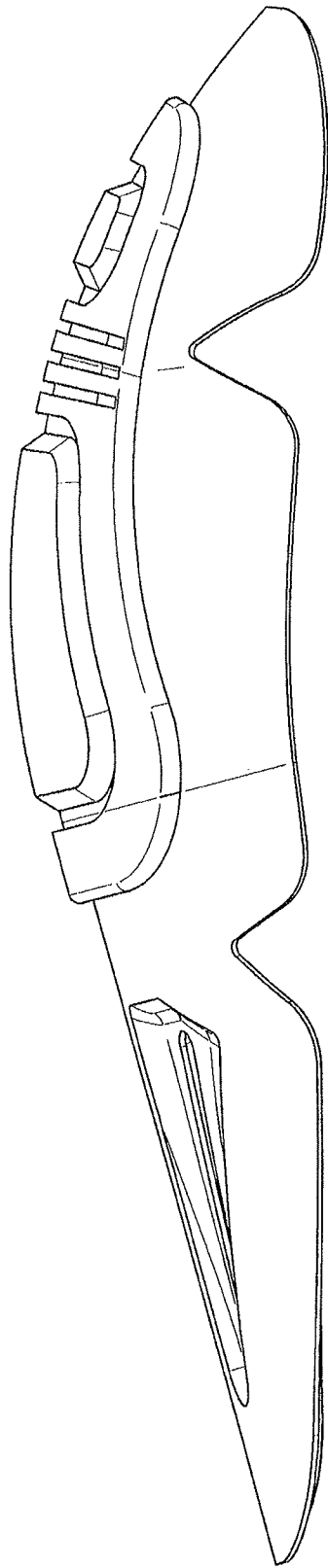


FIG. 4

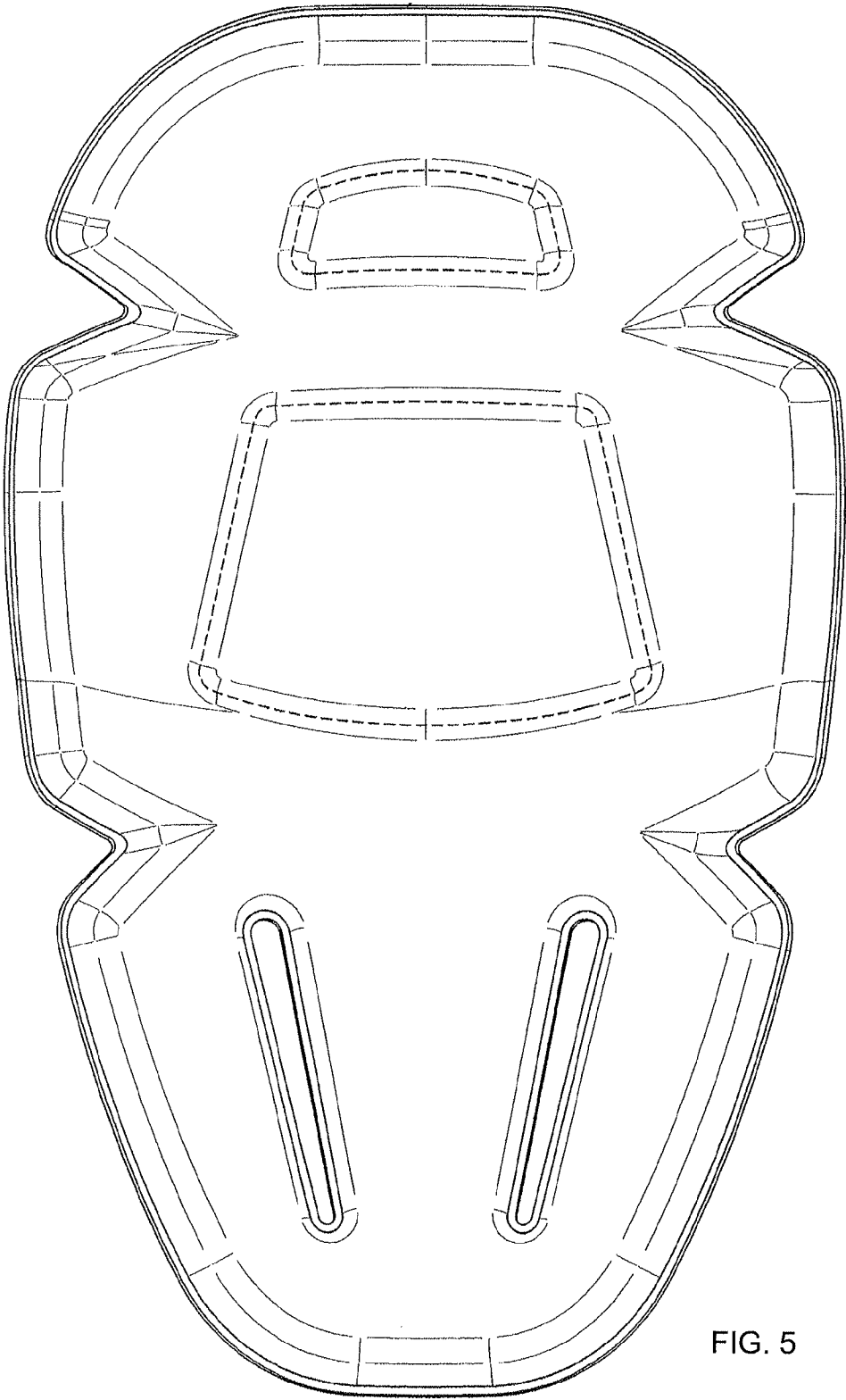


FIG. 5

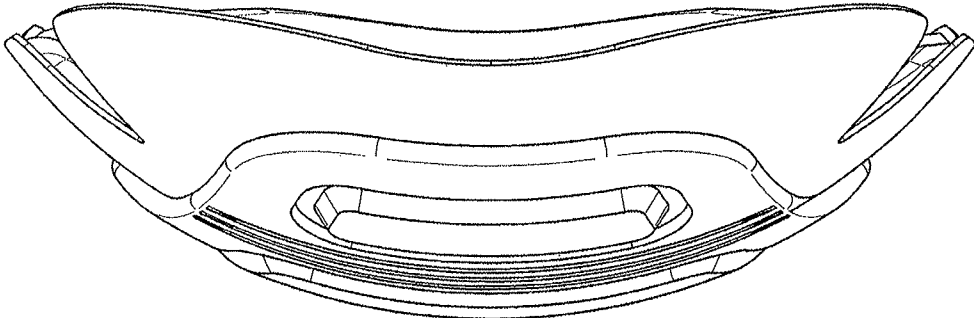


FIG. 6

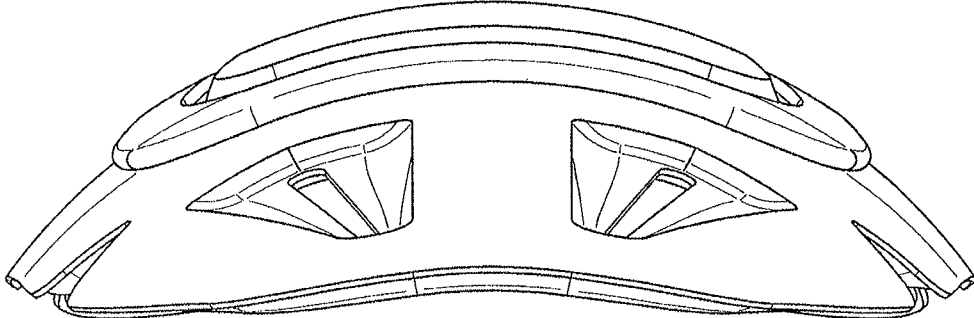


FIG. 7