



US00D821999S

(12) **United States Design Patent**
Guo

(10) **Patent No.:** **US D821,999 S**

(45) **Date of Patent:** **** Jul. 3, 2018**

(54) **EARPHONE**

(71) Applicant: **Yong Guo**, Guangdong (CN)

(72) Inventor: **Yong Guo**, Guangdong (CN)

(**) Term: **15 Years**

(21) Appl. No.: **29/600,363**

(22) Filed: **Apr. 12, 2017**

(51) **LOC (11) Cl.** **14-01**

(52) **U.S. Cl.**
USPC **D14/205**

(58) **Field of Classification Search**
USPC D14/205, 223, 188, 192, 218; D13/168;
379/430, 431, 420.03; 181/129, 130,
181/135; 381/380, 381, 374, 370, 74,
381/372, 373, 386; 455/90.3, 575.1,
455/569.1
CPC H04R 1/10; H04R 1/1033; H04R 1/105;
H04R 1/1066; H04R 5/033; H04R
5/0335; H04R 1/1091; H04R 1/20; H04R
1/02; H04R 1/1016
See application file for complete search history.

D475,996 S *	6/2003	Skulley	D14/223
D539,782 S *	4/2007	Lee	D14/188
D542,782 S *	5/2007	Pena Angarita	D14/223
D554,627 S *	11/2007	Gondo	D14/223
D555,152 S *	11/2007	Wang	D14/223
D569,841 S *	5/2008	Chung	D14/205
D572,703 S *	7/2008	Ledbetter	D14/205
D573,978 S *	7/2008	Ledbetter	D14/205
D575,268 S *	8/2008	Christopher	D14/205
D582,354 S *	12/2008	Andre	D13/158
D587,685 S *	3/2009	Densho	D14/206
D589,493 S *	3/2009	Densho	D14/206
D594,441 S *	6/2009	Lee	D14/205
D597,071 S *	7/2009	Andre	D14/206
D598,894 S *	8/2009	Masuda	D14/205
D599,778 S *	9/2009	Ando	D14/205
D603,378 S *	11/2009	Paradise	D14/223
D603,837 S *	11/2009	Martin	D14/206
D614,166 S *	4/2010	Brickstad	D14/205
D625,294 S *	10/2010	Wada	D14/218
D643,416 S *	8/2011	Chong	D14/223

(Continued)

Primary Examiner — Paula Allen Greene

(57) **CLAIM**

The ornamental design for an earphone, as shown and described.

DESCRIPTION

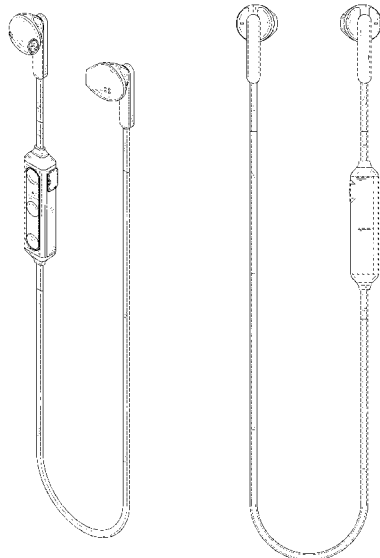
FIG. 1 is a first perspective view of an earphone showing my new design;
FIG. 2 is a second perspective view thereof;
FIG. 3 is a front elevational view thereof;
FIG. 4 is a rear elevational view thereof;
FIG. 5 is a left side view thereof;
FIG. 6 is a right side view thereof;
FIG. 7 is a top plan view thereof; and,
FIG. 8 is a bottom plan view thereof.
The broken lines in the drawings illustrate portions of the earphone which form no part of the claimed design.

1 Claim, 8 Drawing Sheets

(56) **References Cited**

U.S. PATENT DOCUMENTS

3,049,582 A *	8/1962	Shinn	H01R 4/70 174/92
D314,964 S *	2/1991	Chung	D14/188
D316,550 S *	4/1991	Sogabe	D14/168
D326,655 S *	6/1992	Iribe	D14/192
D392,979 S *	3/1998	Inukai	D14/228
6,122,369 A *	9/2000	Hwang	H04M 1/6058 379/420.03
D435,580 S *	12/2000	Grinkus	D14/218
D446,499 S *	8/2001	Andre	D13/110
D458,246 S *	6/2002	Davies	D14/206
D465,476 S *	11/2002	Golding	D14/223
D473,217 S *	4/2003	Rivera	D14/223



(56)

References Cited

U.S. PATENT DOCUMENTS

D660,290 S *	5/2012	Weedon	D14/223	D780,157 S *	2/2017	Uggla	D14/205
8,422,717 B2 *	4/2013	Lin	H04R 1/1091 181/129	D782,442 S *	3/2017	Chen	D14/205
D682,808 S *	5/2013	Fletcher	D14/205	D784,962 S *	4/2017	Yang	D14/223
D685,750 S *	7/2013	Nakagawa	D13/168	D785,594 S *	5/2017	Zaihui	D14/205
D685,764 S *	7/2013	Coulter	D14/205	D793,995 S *	8/2017	Nakagawa	D14/218
D695,724 S *	12/2013	Ishikura	D14/223	D796,484 S *	9/2017	Chen	D14/218
D698,750 S *	2/2014	Yoon	D14/205	D803,184 S *	11/2017	Loh Jun Kern	D14/205
D712,371 S *	9/2014	Henning	D14/205	D803,185 S *	11/2017	Loh Jun Kern	D14/205
D716,268 S *	10/2014	Yamamoto	D14/218	D810,047 S *	2/2018	Tzeng	D14/205
D718,273 S *	11/2014	Harata	D14/205	D812,038 S *	3/2018	Nakajima	D14/205
D718,286 S *	11/2014	Yang	D14/223	2007/0189570 A1 *	8/2007	Matsuo	H04R 1/1016 381/382
D719,550 S *	12/2014	Yang	D14/223	2011/0142276 A1 *	6/2011	Uchida	H04R 1/1075 381/370
D727,871 S *	4/2015	Orbach	D14/205	2011/0158455 A1 *	6/2011	Kim	C08L 3/02 381/370
D733,101 S *	6/2015	Pi	D14/223	2012/0051574 A1 *	3/2012	Lin	H04R 1/2803 381/353
D733,689 S *	7/2015	Narita	D14/223	2012/0093331 A1 *	4/2012	Lin	H04R 1/1091 381/71.6
D743,381 S *	11/2015	Pi	D14/218	2013/0077815 A1 *	3/2013	Stephenson	H04R 1/1033 381/370
D757,682 S *	5/2016	Perez	D14/205	2016/0316290 A1 *	10/2016	Shen	H04R 1/1041
D758,353 S *	6/2016	Akana	D14/218				
D760,189 S *	6/2016	Loh Jun Kern	D14/205				
D773,435 S *	12/2016	Ott	D14/205				
D780,155 S *	2/2017	Levine	D14/205				

* cited by examiner

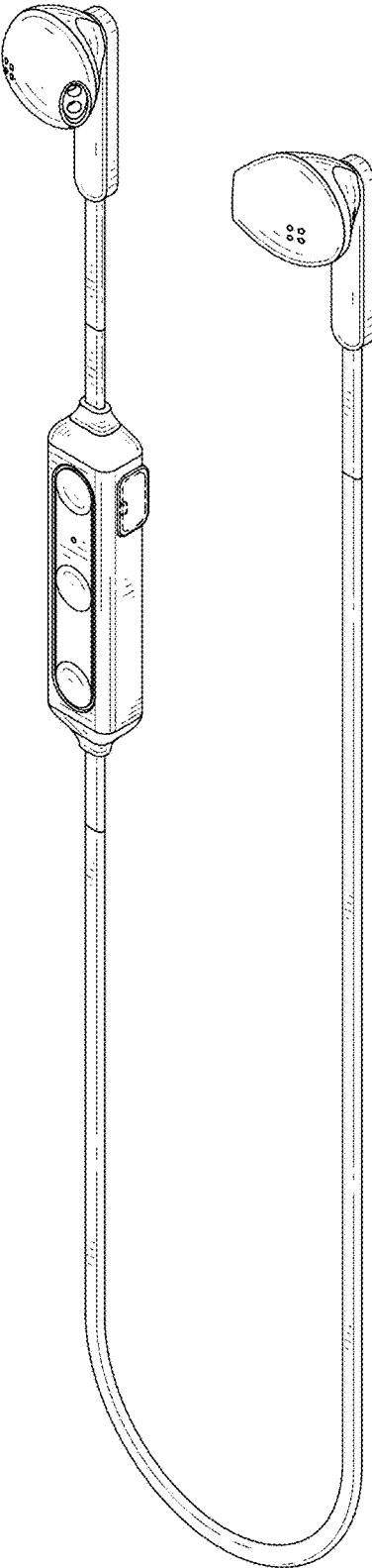


FIG. 1

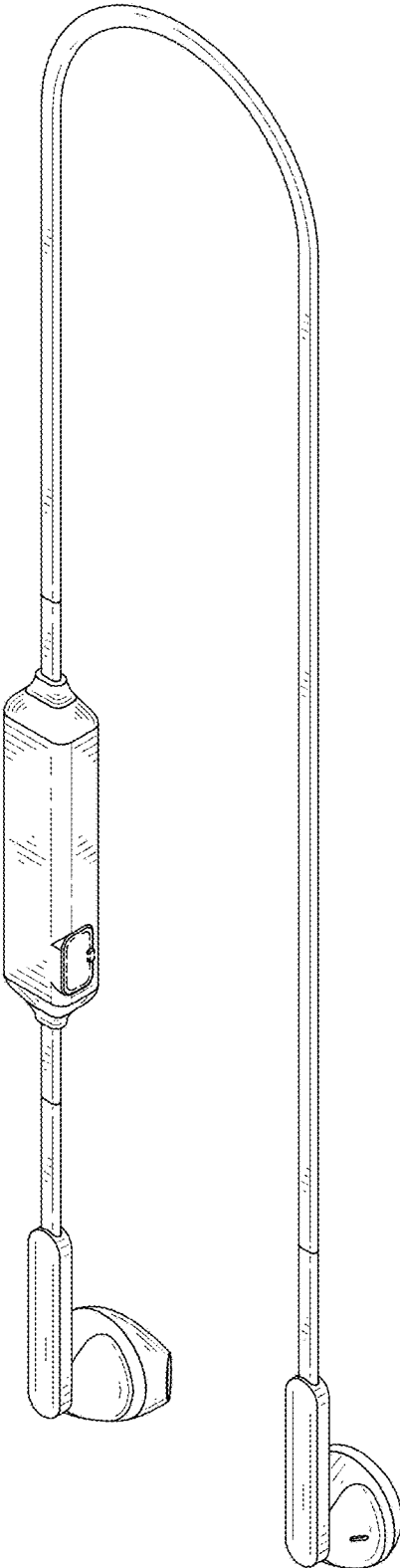


FIG. 2

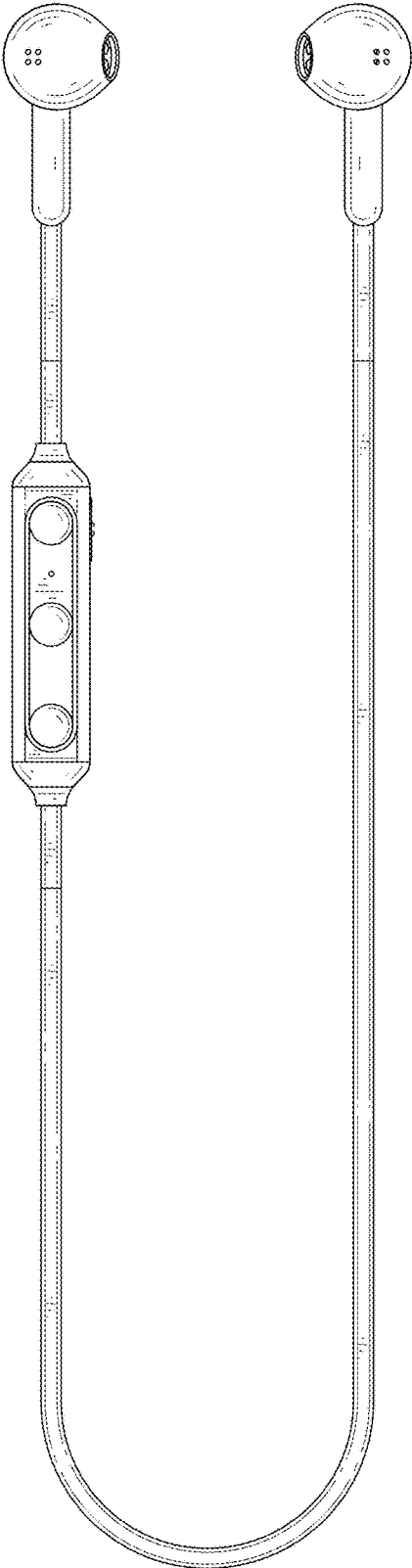


FIG. 3

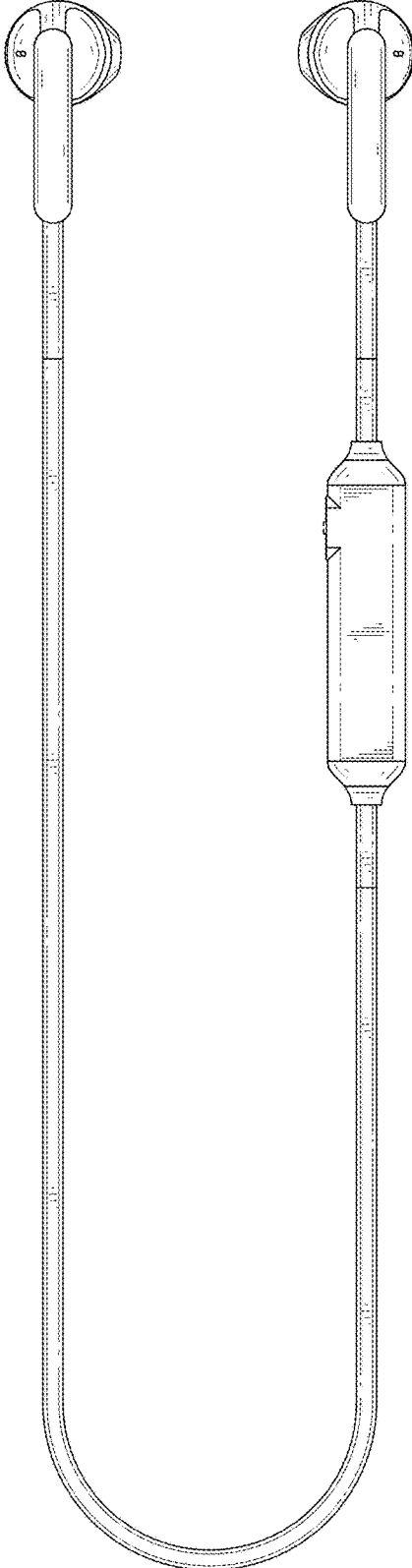


FIG. 4

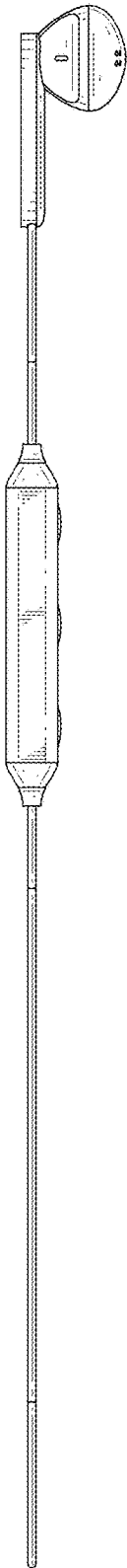


FIG. 5

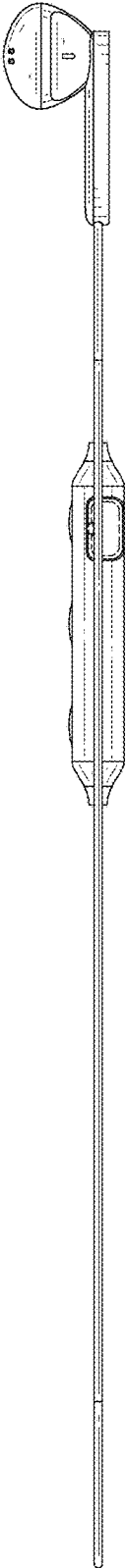


FIG. 6

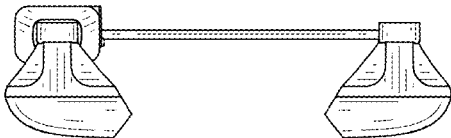


FIG. 7

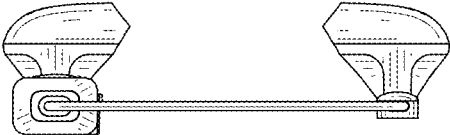


FIG. 8