



US00D996759S

(12) **United States Design Patent**
Camenzind

(10) **Patent No.:** **US D996,759 S**

(45) **Date of Patent:** **** Aug. 22, 2023**

(54) **BROOM HEAD**

(71) Applicant: **Ebnat AG**, Ebnat-Kappel (CH)

(72) Inventor: **Simon Camenzind**, Samstagerm (CH)

(73) Assignee: **Ebnat AG**, Ebnat-Kappel (CH)

(**) Term: **15 Years**

(21) Appl. No.: **29/805,358**

(22) Filed: **Aug. 26, 2021**

(30) **Foreign Application Priority Data**

Mar. 23, 2021 (WO) WIPO103153

(51) **LOC (14) Cl.** **07-05**

(52) **U.S. Cl.**
USPC **D32/50**

(58) **Field of Classification Search**

USPC D32/50, 40, 52, 54, 51, 42, 44, 43, 41,
D32/45; D4/100, 116, 135, 132, 138,
D4/129, 130, 134, 136, 110, 137, 199,
D4/133, 118, 119, 121

CPC A46B 11/00; A46B 15/0095; A46B 3/04;
A46B 2200/302; A47L 5/225; A47L
13/12; B25G 3/00

See application file for complete search history.

(56) **References Cited**

U.S. PATENT DOCUMENTS

D33,147 S *	8/1900	Kennedy	D4/116
D42,597 S *	6/1912	Webster	D4/130
D43,182 S *	10/1912	Scheuer	D4/130
D99,111 S *	3/1936	Bickel	D4/132
D103,819 S *	3/1937	Guild	D4/130
D454,250 S *	3/2002	Forrest	D4/120
D456,617 S *	5/2002	Libman	D4/199
D501,088 S *	1/2005	Libman	D4/199
D549,465 S *	8/2007	Hay	D4/135
D583,566 S *	12/2008	Meyer	D4/130
D597,719 S *	8/2009	McNeil	D32/51

D663,532 S *	7/2012	Pottes	D4/199
D663,533 S *	7/2012	Pottes	D4/199
D674,197 S *	1/2013	Kassem Llano	D4/199
D697,280 S *	1/2014	Casini	D32/50
D698,111 S *	1/2014	Casini	D32/50

(Continued)

FOREIGN PATENT DOCUMENTS

CN	201743641 U *	2/2011
CN	203042153 U *	7/2013

(Continued)

OTHER PUBLICATIONS

Hard floor sweeper, posted Mar. 14, 2019 [online], [retrieved Jan. 30, 2023]. Retrieved from internet, [https://www.amazon.co.uk/Kleeneze-KL062437EU-Soft-Bristle-Broom-Stainless/dp/B07PL5ZX31/ref=sxin_15_pa_sp_search_thematic_sspa?content-id=amzn1.sym.80aa8a4e-635c-4e2e-9a5d-c32f494cb6d7%3Aamzn1.sym.80aa8a4e-635c- \(Year: 2019\).*](https://www.amazon.co.uk/Kleeneze-KL062437EU-Soft-Bristle-Broom-Stainless/dp/B07PL5ZX31/ref=sxin_15_pa_sp_search_thematic_sspa?content-id=amzn1.sym.80aa8a4e-635c-4e2e-9a5d-c32f494cb6d7%3Aamzn1.sym.80aa8a4e-635c- (Year: 2019).*)

(Continued)

Primary Examiner — Khawaja Anwar

Assistant Examiner — Taylor O Mortorff

(74) *Attorney, Agent, or Firm* — Maier & Maier, PLLC

(57) **CLAIM**

The ornamental design for a broom head, as shown and described.

DESCRIPTION

FIG. 1 is a top perspective view of a broom head, showing my design;

FIG. 2 is a bottom perspective view thereof;

FIG. 3 is a front view thereof;

FIG. 4 is a rear view thereof;

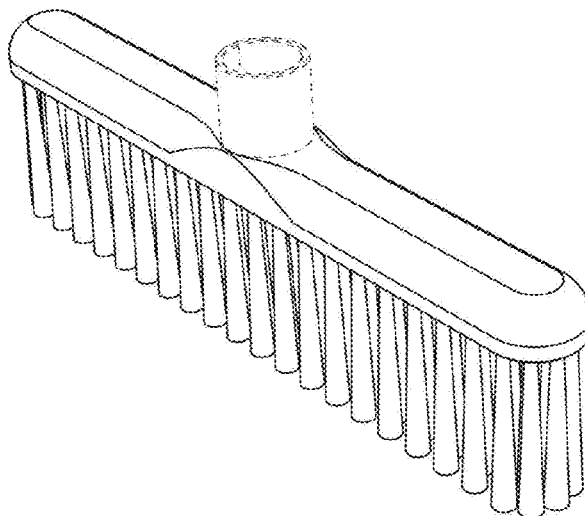
FIG. 5 is a top view thereof;

FIG. 6 is a bottom view thereof;

FIG. 7 is a right side view thereof; and,

FIG. 8 is a left side view thereof.

1 Claim, 3 Drawing Sheets



(56)

References Cited

U.S. PATENT DOCUMENTS

D733,436 S * 7/2015 Vasilakes D4/135
D737,056 S * 8/2015 Vasilakes D4/135
D786,520 S 5/2017 Thoma
D793,091 S * 8/2017 Laenner D4/132
2011/0041273 A1 * 2/2011 Boucherie A46B 3/06
15/171
2015/0351527 A1 * 12/2015 Vasquez A46B 17/06
15/159.1

FOREIGN PATENT DOCUMENTS

CN 206151385 U * 5/2017
DE 102014000339 A1 * 7/2015 A46B 9/025
WO WO-2009121505 A1 * 10/2009 A46B 3/06
WO WO-2012085905 A1 * 6/2012 A46B 1/00
WO WO-2014099473 A1 * 6/2014 A46B 9/025
WO DM/085 301 1/2015

OTHER PUBLICATIONS

Rubber broom, posted Mar. 12, 2019 [online], [retrieved Jan. 30, 2023]. Retrieved from internet, https://www.amazon.co.uk/Spontex-Catch-Indoor-Rubber-Dustpan/dp/B087GLMSK8/ref=sr_1_37?crd=38S7327ER6MCF&keywords=broom&qid=1675091118&sprefix=broo%2Caps%2C315&sr=8-37&th=1 (Year: 2019).*

* cited by examiner

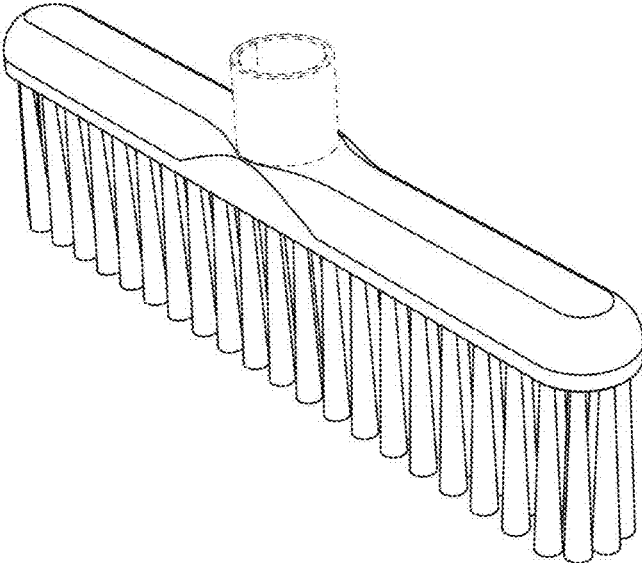


Fig. 1

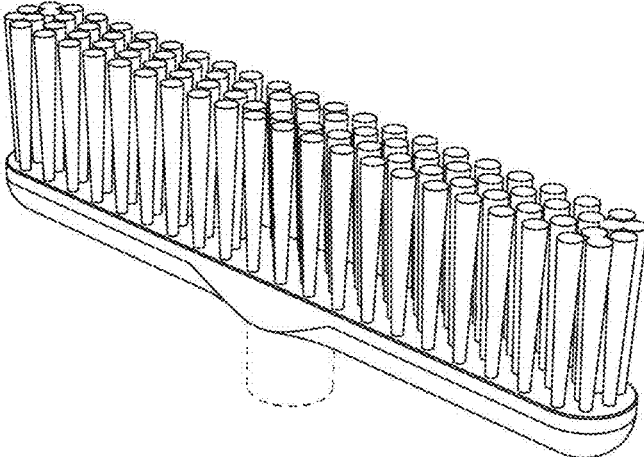


Fig. 2

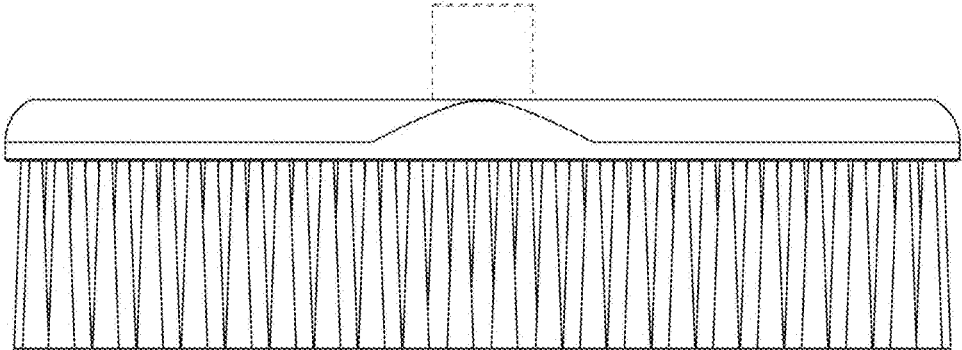


Fig. 3

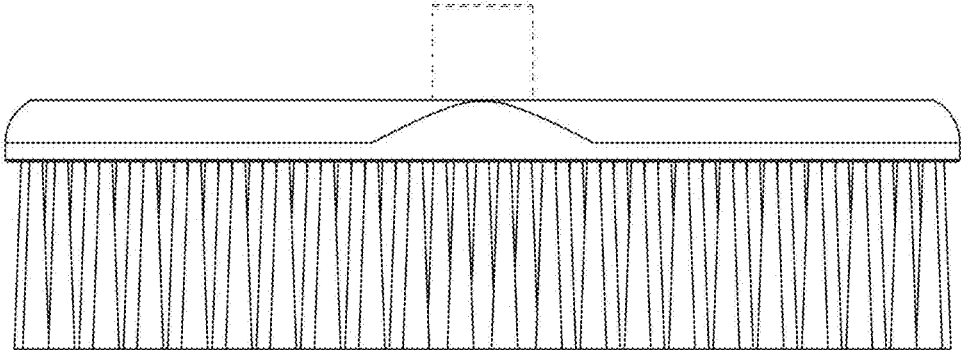


Fig. 4

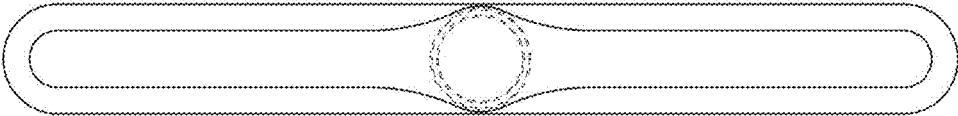


Fig. 5

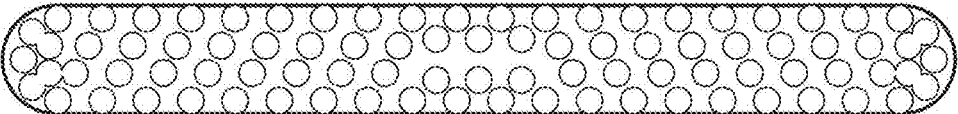


Fig. 6

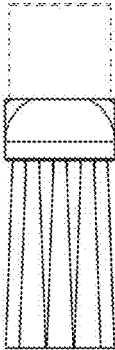


Fig. 7

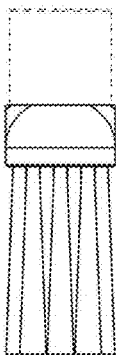


Fig. 8