



US00D925396S

(12) **United States Design Patent** (10) **Patent No.:** **US D925,396 S**
Paik et al. (45) **Date of Patent:** **** Jul. 20, 2021**

(54) **BUCKLE FOR BAG**

OTHER PUBLICATIONS

(71) Applicant: **WOOJIN PLASTIC Co., Ltd.**,
Namyangju-si (KR)
(72) Inventors: **Ji Sook Paik**, Seoul (KR); **Ji Hye Paik**, Seoul (KR); **Ji Won Son**, Seoul (KR); **Nan Hee Paik**, Seoul (KR)

Safety QA Champion Buckle, no date available, [online], [site visited Dec. 23, 2020], Retrieved from url:http://www.wojinplastic.com/kr/product/view.php?idx=672&part1_idx=121&part_idx=121 (Year: 2020).*

(Continued)

(73) Assignee: **WOOJIN PLASTIC Co., Ltd.**,
Namyangju-si (KR)

Primary Examiner — Wendy L. Arminio

Assistant Examiner — Tracey J Bell

(74) *Attorney, Agent, or Firm* — Paratus Law Group, PLLC

(**) Term: **15 Years**

(21) Appl. No.: **29/717,828**

(57) **CLAIM**

The ornamental design for a buckle for bag, as shown and described.

(22) Filed: **Dec. 19, 2019**

(30) **Foreign Application Priority Data**

DESCRIPTION

Oct. 22, 2019 (KR) 30-2019-0049973

(51) **LOC (13) Cl.** **02-07**

(52) **U.S. Cl.** **D11/216**

USPC **D11/216**

(58) **Field of Classification Search**

USPC D11/200, 201, 206, 212, 215, 216, 218,

D11/220; D29/100-101.5; D3/216;

D2/627-640; D6/333

CPC ... A44B 11/001; A44B 11/005; A44B 11/008;

A44B 11/02; A44B 11/00; A44B 11/065;

A44B 11/08; A44B 11/10; A44B 11/12;

(Continued)

FIG. 1 is a front, top, and right perspective view of a buckle for bag, showing the claimed design;

FIG. 2 is a front view thereof;

FIG. 3 is a back view thereof;

FIG. 4 is a left side view thereof;

FIG. 5 is a right side view thereof;

FIG. 6 is a top view thereof;

FIG. 7 is a bottom view thereof;

FIG. 8 is a cross-sectional view taken along line 8-8 shown in FIG. 2;

FIG. 9 is a front, top, and left perspective view thereof;

FIG. 10 is a front, top and right perspective view thereof, showing a state in which a hook portion is unhooked; and,

FIG. 11 is a reference view showing the buckle for bag in use.

The long dash short dash broken lines and arrows shown in FIG. 2 are used to identify the cross-sectional view and form no part of the claimed design. The portions of the buckle for bag shown in broken lines in FIGS. 3 and 4 form no part of the claimed design. The evenly spaced broken lines shown in FIG. 11 depict environment and form no part of the claimed design.

(56) **References Cited**

U.S. PATENT DOCUMENTS

D381,936 S * 8/1997 Anscher D11/216

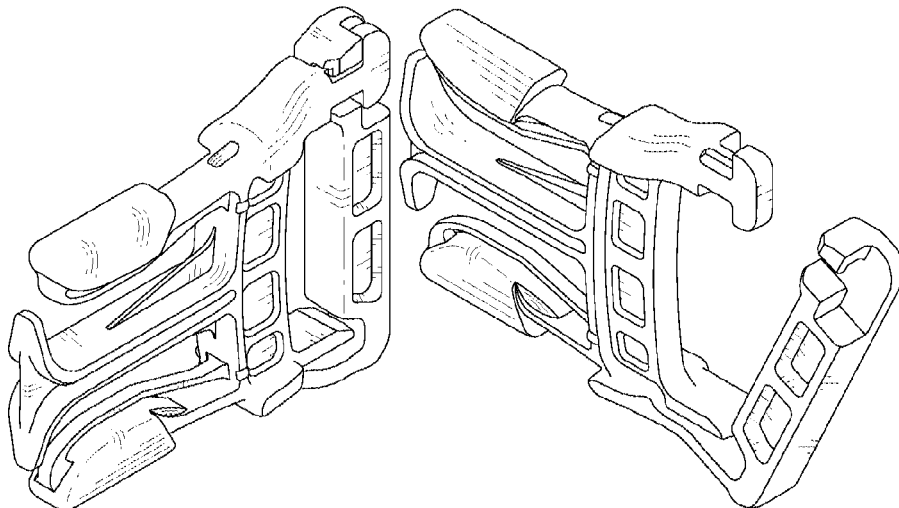
D397,641 S * 9/1998 Hamilton D11/216

(Continued)

FOREIGN PATENT DOCUMENTS

KR 3020190049973 * 10/2020

1 Claim, 6 Drawing Sheets



(58) **Field of Classification Search**

CPC A44B 11/125; A44B 11/14; A44B 11/226;
 A44B 11/25; A44B 11/2503; A44B
 11/2507; A44B 11/2511; A44B 11/2515;
 A44B 11/2519; A44B 11/2523; A44B
 11/253; A44B 11/2538; A44B 11/2549;
 A44B 11/2553; A44B 11/2557; A44B
 11/2561; A44B 11/2569; A44B 11/2576;
 A44B 11/258; A44B 11/2588; A44B
 11/26

See application file for complete search history.

D538,197 S * 3/2007 Wemmer D11/216
 D560,551 S * 1/2008 Uehara D11/216
 D563,269 S * 3/2008 Anscher D11/216
 D616,332 S * 5/2010 Anscher D11/216
 D668,178 S * 10/2012 Kao D11/216
 D686,108 S * 7/2013 Paik D11/216
 D734,209 S * 7/2015 Kadoishi D11/216
 D782,362 S * 3/2017 Sumroy D11/216
 D868,626 S * 12/2019 Paik D11/218
 D880,351 S * 4/2020 Paik D11/216
 D908,531 S * 1/2021 Paik D11/216
 2010/0107370 A1 * 5/2010 Paik A44B 11/266
 24/190

(56)

References Cited

U.S. PATENT DOCUMENTS

5,893,199 A * 4/1999 Anscher A44B 11/006
 24/170
 D425,443 S * 5/2000 Anscher D11/216

OTHER PUBLICATIONS

Duraflex Stealth Buckle, no date available, [online], [site visited
 Dec. 23, 2020], Retrieved from url:[https://www.duraflexgroup.com/
 products/PROF00001105?family=true](https://www.duraflexgroup.com/products/PROF00001105?family=true) (Year: 2020).*

* cited by examiner

FIG. 1

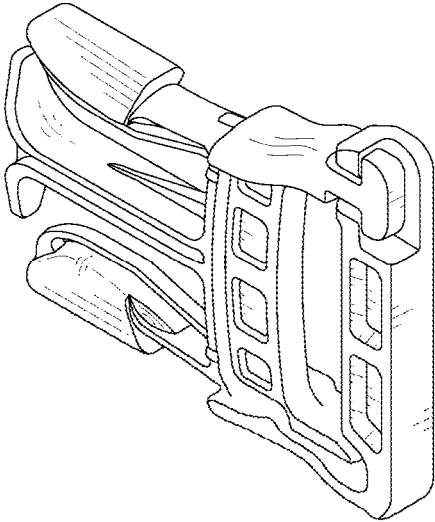


FIG. 2

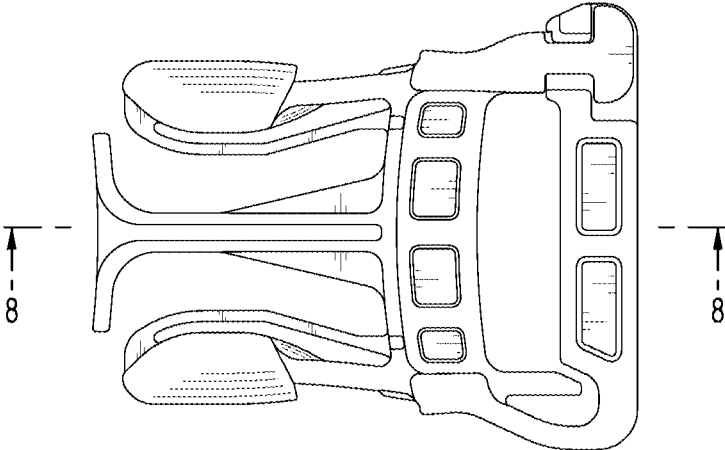


FIG. 3

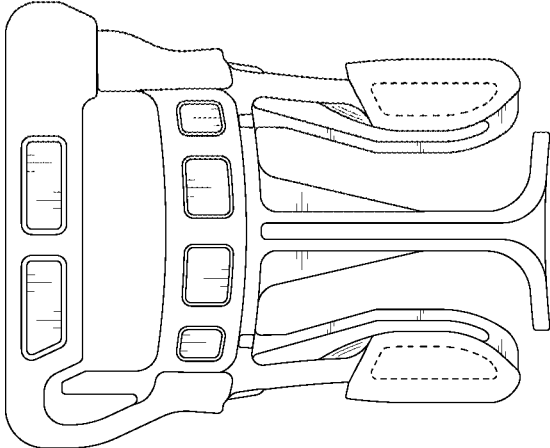


FIG. 4

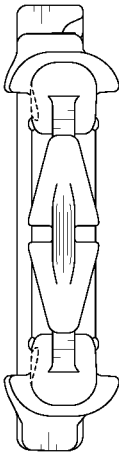


FIG. 5

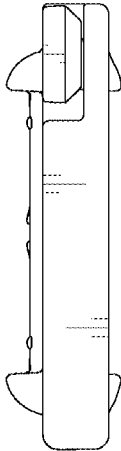


FIG. 6

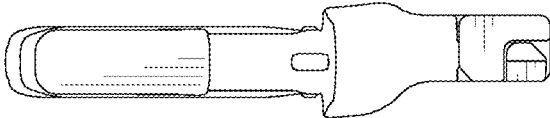


FIG. 7

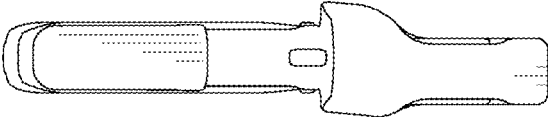


FIG. 8

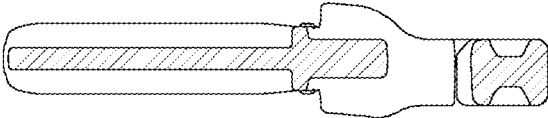


FIG. 9

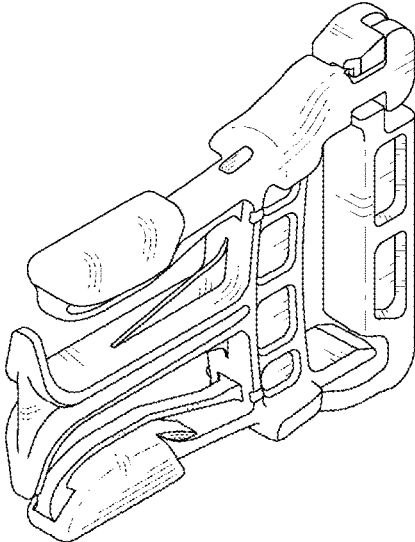


FIG. 10

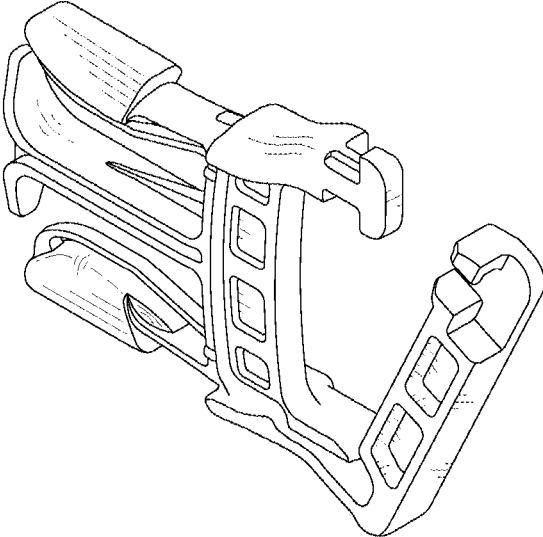


FIG. 11

