

(21) Application No: **0409980.0**  
(22) Date of Filing: **25.11.2002**  
(30) Priority Data:  
(31) **60334321** (32) **30.11.2001** (33) **US**  
(86) International Application Data:  
**PCT/US2002/037783 En 25.11.2002**  
(87) International Publication Data:  
**WO2003/048517 En 12.06.2003**

(51) INT CL<sup>7</sup>:  
**E21B 34/10**  
(52) UK CL (Edition W ):  
**E1F FLH FLM F302**  
(56) Documents Cited by ISA:  
**US 6003605 A US 4422618 A**  
**US 3958633 A US 2798561 A**  
**US 2780290 A**  
(58) Field of Search by ISA:  
INT CL<sup>7</sup> **E21B**  
Other: **EPO-Internal**

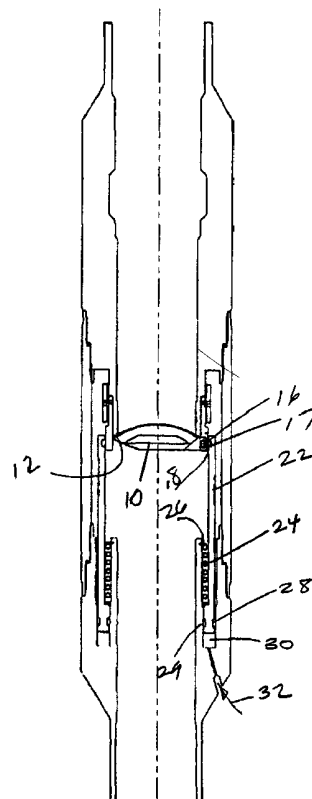
(71) Applicant(s):  
**Baker Hughes Incorporated**  
**(Incorporated in USA - Delaware)**  
**Suite 1200, 3900 Essex Lane, Houston,**  
**Texas 77027, United States of America**

(72) Inventor(s):  
**Doug Trott**  
**Brian Shaw**  
**David R McMahon**

(continued on next page)

(54) Abstract Title: **Closure mechanism with integrated actuator for subsurface valves**

(57) A subsurface safety valve has a closure sleeve (122) or rod (38) mounted below the closure mechanism. Control signal pushes the sleeve up (uphole) or down (downhole), whichever is applicable, which causes the closure element (10) to rotate (or slide, or otherwise translate) to its open position. A loss of control signal allows the closure spring (24) to push the sleeve or rod downhole (or uphole, whichever is appropriate). This movement causes the closure element to be driven to its closed position against the seat.



**GB 2400125 A continuation**

(74) Agent and/or Address for Service:  
**Murgitroyd & Company**  
**Scotland House, 165-169 Scotland Street,**  
**GLASGOW, G5 8PL, United Kingdom**