

(19) World Intellectual Property Organization  
International Bureau



(43) International Publication Date  
2 July 2009 (02.07.2009)

(10) International Publication Number  
**WO 2009/082154 A3**

- (51) International Patent Classification:  
*G02B 5/122* (2006.01)
- (21) International Application Number:  
PCT/KR2008/007594
- (22) International Filing Date:  
22 December 2008 (22.12.2008)
- (25) Filing Language:  
Korean
- (26) Publication Language:  
English
- (30) Priority Data:  
10-2007-0135331  
21 December 2007 (21.12.2007) KR  
10-2007-0135336  
21 December 2007 (21.12.2007) KR  
10-2007-0135391  
21 December 2007 (21.12.2007) KR

AO, AT, AU, AZ, BA, BB, BG, BH, BR, BW, BY, BZ, CA, CH, CN, CO, CR, CU, CZ, DE, DK, DM, DO, DZ, EC, EE, EG, ES, FI, GB, GD, GE, GH, GM, GT, HN, HR, HU, ID, IL, IN, IS, JP, KE, KG, KM, KN, KP, KZ, LA, LC, LK, LR, LS, LT, LU, LY, MA, MD, ME, MG, MK, MN, MW, MX, MY, MZ, NA, NG, NI, NO, NZ, OM, PG, PH, PL, PT, RO, RS, RU, SC, SD, SE, SG, SK, SL, SM, ST, SV, SY, TJ, TM, TN, TR, TT, TZ, UA, UG, US, UZ, VC, VN, ZA, ZM, ZW.

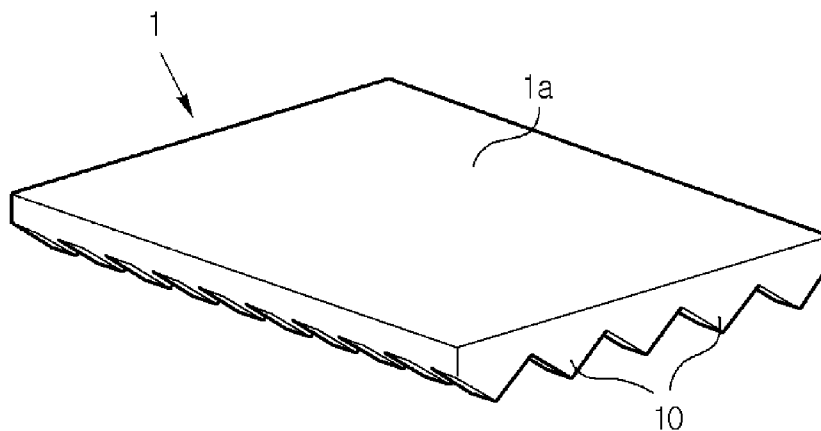
- (71) Applicant and  
(72) Inventor: **KIM, Hyeonsik** [KR/KR]; 1507-1003 Kuny-oung Casvill., 499, Sangbong-dong, Jungnang-gu, Seoul 131-779 (KR).
- (72) Inventor; and  
(75) Inventor/Applicant (for US only): **KIM, Bongju** [KR/KR]; 106-803 Gangnaru-Hyundai APT., 448-1, Gayang-dong, Gangseo-gu, Seoul 157-700 (KR).
- (81) Designated States (unless otherwise indicated, for every kind of national protection available): AE, AG, AL, AM,

(84) Designated States (unless otherwise indicated, for every kind of regional protection available): ARIPO (BW, GH, GM, KE, LS, MW, MZ, NA, SD, SL, SZ, TZ, UG, ZM, ZW), Eurasian (AM, AZ, BY, KG, KZ, MD, RU, TJ, TM), European (AT, BE, BG, CH, CY, CZ, DE, DK, EE, ES, FI, FR, GB, GR, HR, HU, IE, IS, IT, LT, LU, LV, MC, MT, NL, NO, PL, PT, RO, SE, SI, SK, TR), OAPI (BF, BJ, CF, CG, CI, CM, GA, GN, GQ, GW, ML, MR, NE, SN, TD, TG).

- Published:  
— with international search report (Art. 21(3))  
— before the expiration of the time limit for amending the claims and to be republished in the event of receipt of amendments (Rule 48.2(h))
- (88) Date of publication of the international search report:  
8 October 2009

(54) Title: RETRO-REFLECTOR

[Fig. 1]



(57) Abstract: The present invention relates to a retroreflective article enabling to retroreflect incident light in its incident direction, and the retroreflective article including at least one retroreflective element, the retroreflective element comprising at least one reflecting corner comprised of a pair of corner reflecting surfaces which meet at dihedral angle of about 90 degree; and a pair of vertical reflecting surfaces which are formed on both ends of the reflecting corner to be substantially perpendicular to a corner of the reflecting corner with a distance which is smaller than the highest vertical height and which meet at dihedral angle of about 90 degree for the pair of corner reflecting surfaces. This retroreflective article has higher retroreflective ratio and wider available retroreflective range, and it is designed to be freely changed its main reflecting direction having the highest retroreflective ratio.



WO 2009/082154 A3

**A. CLASSIFICATION OF SUBJECT MATTER****G02B 5/122(2006.01)i**

According to International Patent Classification (IPC) or to both national classification and IPC

**B. FIELDS SEARCHED**

Minimum documentation searched (classification system followed by classification symbols)

IPC G02B

Documentation searched other than minimum documentation to the extent that such documents are included in the fields searched

Korean Utility models and Applications for Utility models since 1975.

Japanese Utility models and Applications for Utility models since 1975.

Electronic data base consulted during the international search (name of data base and, where practicable, search terms used)

eKIPASS(KIPO Internal)

"Keywords: prism, sheet, film, retro, reflect and corner"

**C. DOCUMENTS CONSIDERED TO BE RELEVANT**

Category*	Citation of document, with indication, where appropriate, of the relevant passages	Relevant to claim No.
A	KR 10-2006-0007038 A (KIM, BONG JU) 27 July 2006 See abstract, claims 1-18, figures 22-23	1-14
A	KR 10-2007-0102329 A (KIM, BONG JU) 18 October 2007 See abstract, claims 1-4, figures 1-6	1-14
A	KR 10-2000-0016171 A (STIMSONITE CORPORATION) 25 March 2000 See abstract, claims 1-109, figures 1-36	1-14

 Further documents are listed in the continuation of Box C. See patent family annex.

\* Special categories of cited documents:

"A" document defining the general state of the art which is not considered to be of particular relevance

"E" earlier application or patent but published on or after the international filing date

"L" document which may throw doubts on priority claim(s) or which is cited to establish the publication date of citation or other special reason (as specified)

"O" document referring to an oral disclosure, use, exhibition or other means

"P" document published prior to the international filing date but later than the priority date claimed

"T" later document published after the international filing date or priority date and not in conflict with the application but cited to understand the principle or theory underlying the invention

"X" document of particular relevance; the claimed invention cannot be considered novel or cannot be considered to involve an inventive step when the document is taken alone

"Y" document of particular relevance; the claimed invention cannot be considered to involve an inventive step when the document is combined with one or more other such documents, such combination being obvious to a person skilled in the art

"&amp;" document member of the same patent family

Date of the actual completion of the international search

28 AUGUST 2009 (28.08.2009)

Date of mailing of the international search report

**28 AUGUST 2009 (28.08.2009)**

Name and mailing address of the ISA/KR

Korean Intellectual Property Office  
Government Complex-Daejeon, 139 Seonsa-ro, Seo-gu,  
Daejeon 302-701, Republic of Korea

Facsimile No. 82-42-472-7140

Authorized officer

Jang, Gi Jeong

Telephone No. 82-42-481-5648



**INTERNATIONAL SEARCH REPORT**

Information on patent family members

International application No.

**PCT/KR2008/007594**

Patent document cited in search report	Publication date	Patent family member(s)	Publication date
KR 10-2006-0085591 A	27.07.2006	CN 101371169 A	18.02.2009
		GB 2448267 A	08.10.2008
		KR 10-2006-0085605 A	27.07.2006
		WO 2007-083980 A1	26.07.2007
KR 10-2007-0102329 A	18.10.2007	None	
KR 10-2000-0016171 A	25.03.2000	AU 3285897 A	05.01.1998
		AU 730149 B2	01.03.2001
		AU 1997-32858 B2	22.05.1997
		BR 9710684 A	11.01.2000
		CA 2256315 A1	04.12.1997
		CA 2256315 C	16.01.2007
		CN 1226853 A0	25.08.1999
		EP 0951383 A1	27.10.1999
		EP 0951383 A4	30.05.2001
		KR 10-0498822 B1	23.11.2005
		WO 1997-045255 A1	04.12.1997
		US 06015214 A	18.01.2000
		US 0RE40455 E1	12.08.2008
		US 06767102 B1	27.07.2004