



US00D712872S

(12) **United States Design Patent**  
**Yuen**

(10) **Patent No.:** **US D712,872 S**

(45) **Date of Patent:** **\*\* Sep. 9, 2014**

(54) **HEADPHONE**

(71) Applicant: **Imego Infinity Limited**, Kwun Tong (HK)

(72) Inventor: **Shun Ming Yuen**, Kwun Tong (HK)

(73) Assignee: **Imego Infinity Limited**, Kwun Tong (HK)

(\*\*) Term: **14 Years**

(21) Appl. No.: **29/461,665**

(22) Filed: **Jul. 26, 2013**

(51) **LOC (10) Cl.** ..... **14-01**

(52) **U.S. Cl.**  
USPC ..... **D14/205**

(58) **Field of Classification Search**  
CPC ..... H04R 1/1066  
USPC ..... D14/205, 227; 181/129, 130, 135;  
379/430, 431; 381/380, 381, 374;  
455/90.3, 575.1

See application file for complete search history.

(56) **References Cited**

**U.S. PATENT DOCUMENTS**

D156,329	S	*	12/1949	Federico et al.	.....	D14/227
3,488,457	A	*	1/1970	Lahti	.....	381/371
D246,259	S	*	11/1977	Nishimura et al.	.....	D14/205
D262,019	S	*	11/1981	Upshaw	.....	D14/205
5,384,857	A	*	1/1995	Nordin et al.	.....	381/378
D432,522	S	*	10/2000	Kieltyka et al.	.....	D14/216
6,333,982	B1	*	12/2001	Sapiejewski et al.	.....	379/430

D517,527	S	*	3/2006	Suzuki	.....	D14/205
D560,654	S	*	1/2008	Feng et al.	.....	D14/205
D567,215	S	*	4/2008	Lee	.....	D14/205
D570,825	S	*	6/2008	Schultz et al.	.....	D14/205
7,388,960	B2	*	6/2008	Kuo et al.	.....	381/186
D604,266	S	*	11/2009	Milde et al.	.....	D14/205
7,766,120	B2	*	8/2010	Hansson et al.	.....	181/129
D633,894	S	*	3/2011	Meyer et al.	.....	D14/205
D635,958	S	*	4/2011	Ando et al.	.....	D14/205
D650,356	S	*	12/2011	Alden et al.	.....	D14/205
D668,633	S	*	10/2012	Enquist	.....	D14/205
D699,214	S	*	2/2014	Gondo	.....	D14/205
D700,590	S	*	3/2014	Heath	.....	D14/205

\* cited by examiner

*Primary Examiner* — Paula Greene

(74) *Attorney, Agent, or Firm* — Prakash Nama; Global IP Services, PLLC

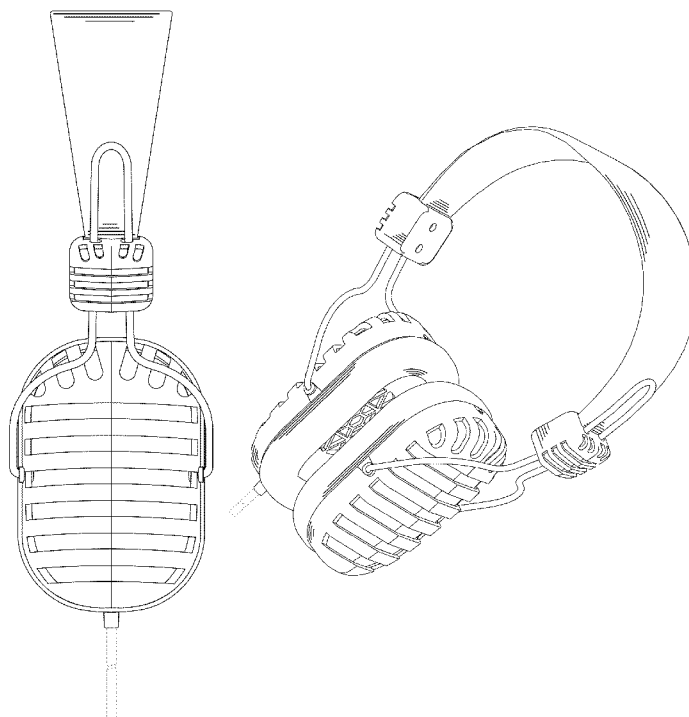
(57) **CLAIM**

The ornamental design for a headphone, as shown and described.

**DESCRIPTION**

FIG. 1 is a front elevational view of a headphone showing my new design;  
FIG. 2 is a rear elevational view thereof;  
FIG. 3 is a left side view thereof;  
FIG. 4 is a right side view thereof;  
FIG. 5 is a top plan view thereof; and,  
FIG. 6 is a perspective view thereof; the speaker is conventional, the opposite perspective view is a mirror image.  
The broken lines shown in FIGS. 1-4 & 6 form no part of the claimed design.

**1 Claim, 4 Drawing Sheets**



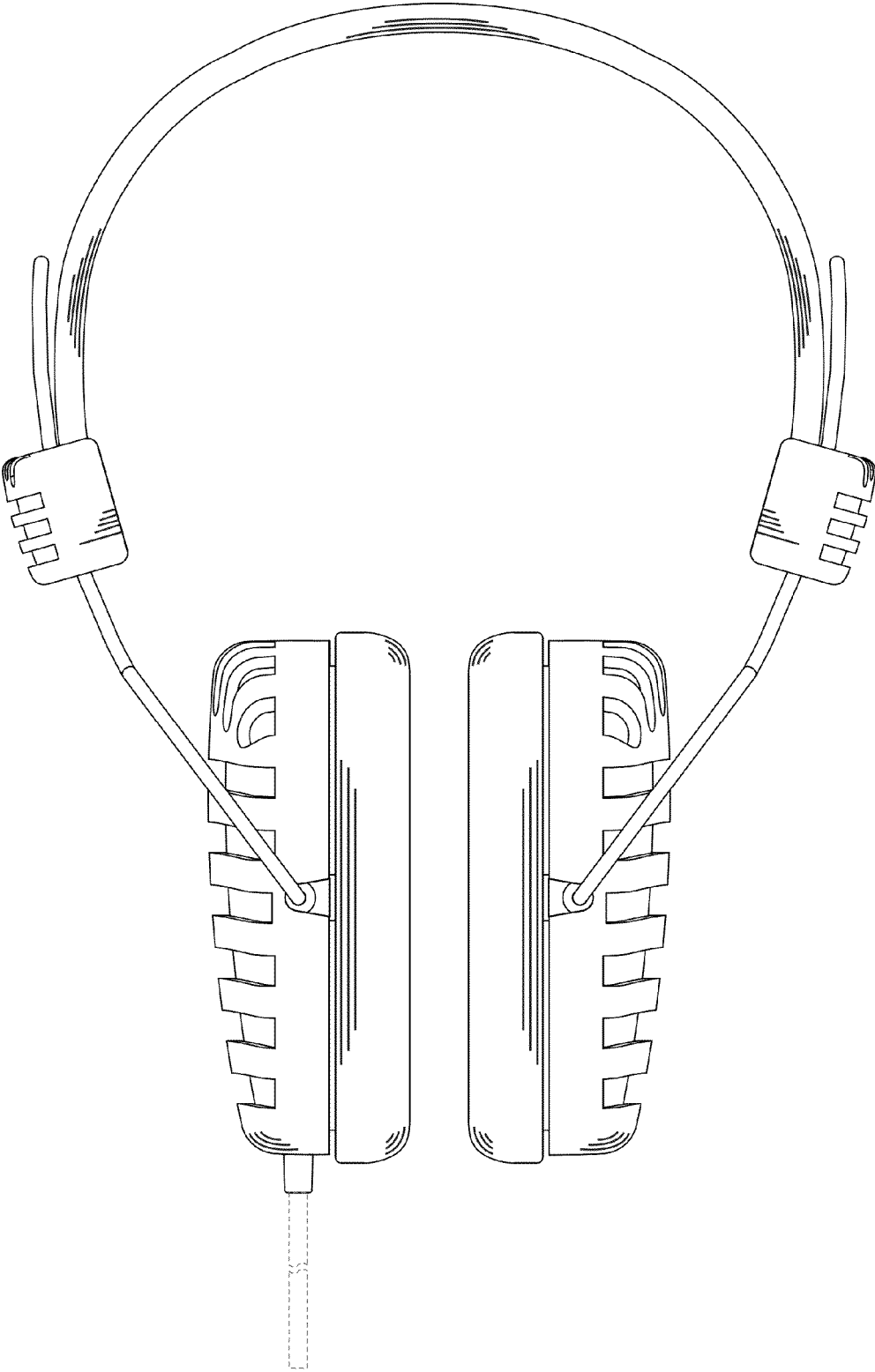


FIG. 1

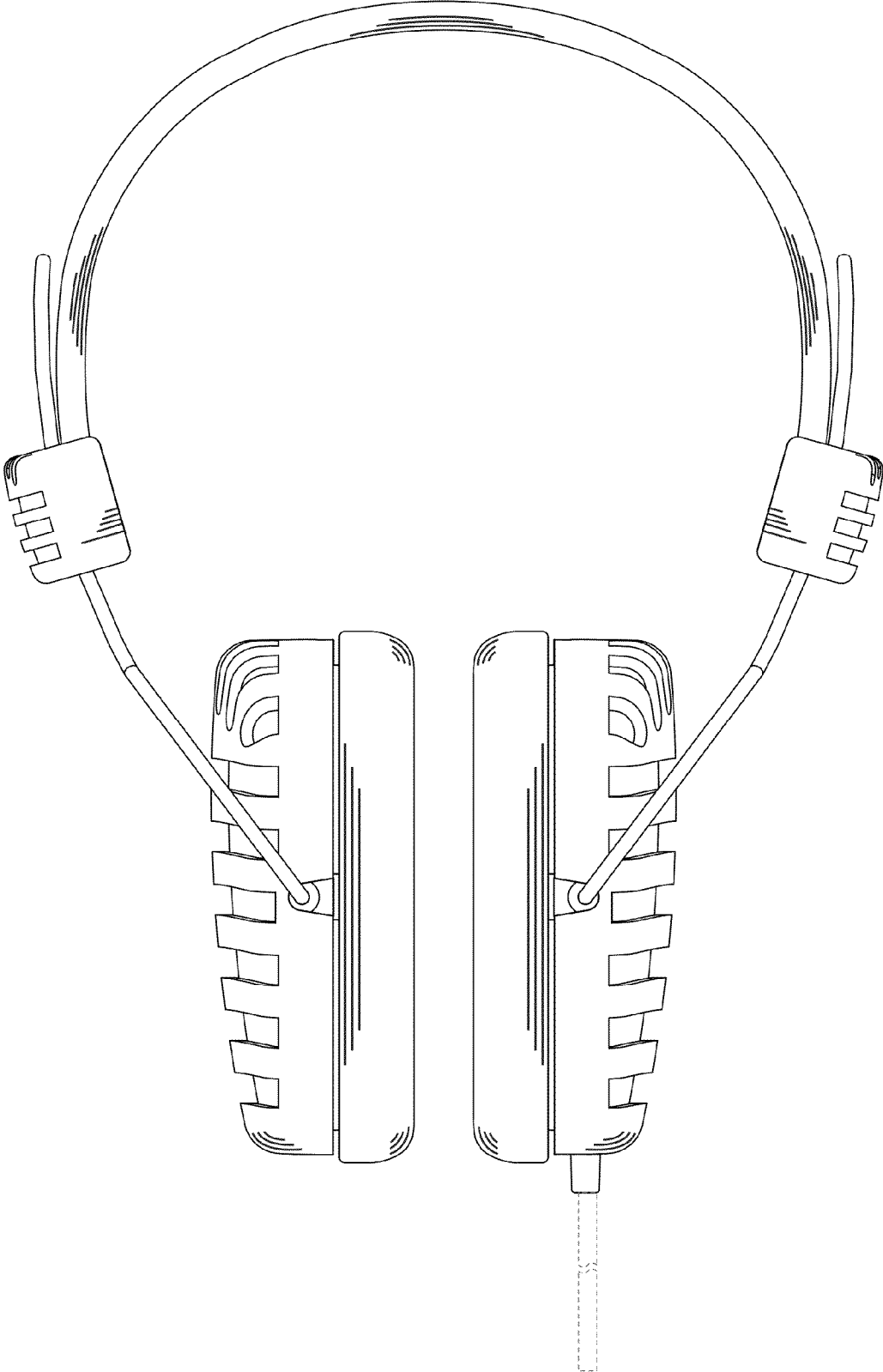


FIG. 2

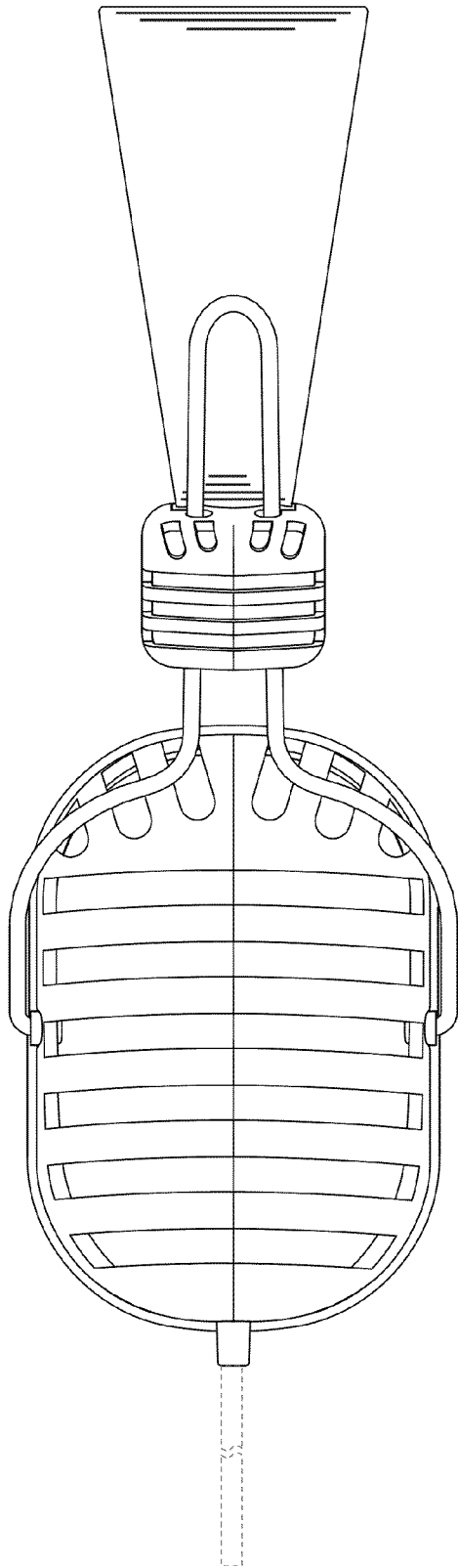


FIG. 3

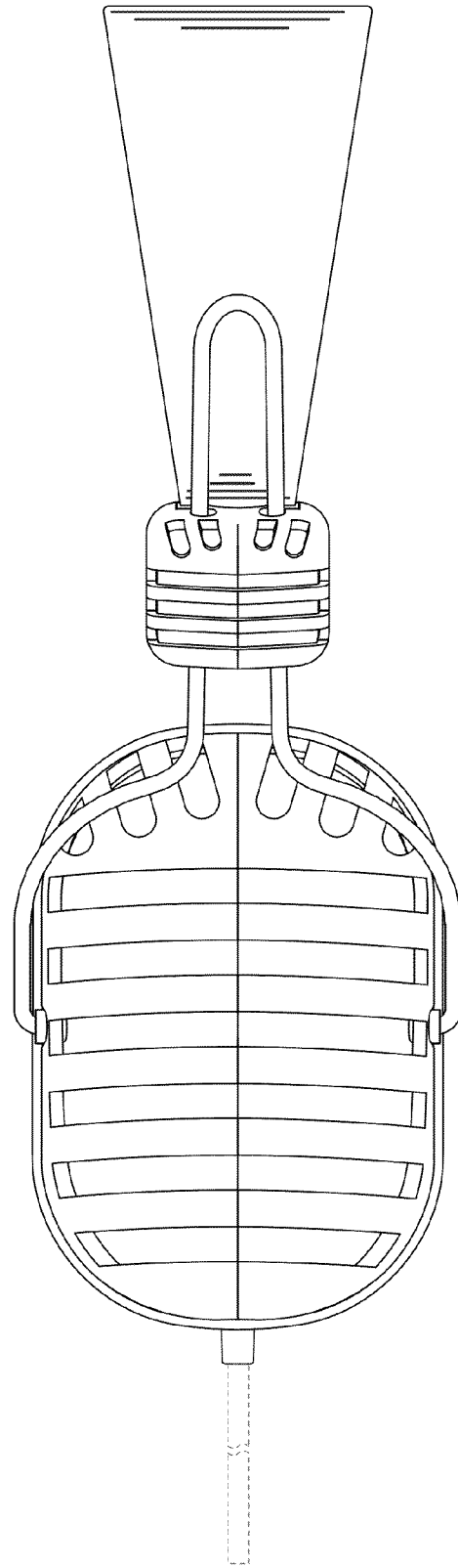


FIG. 4

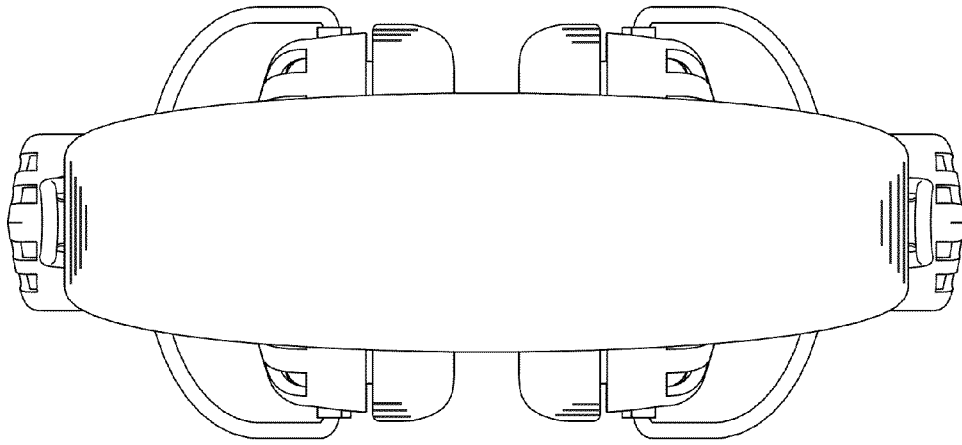


FIG. 5

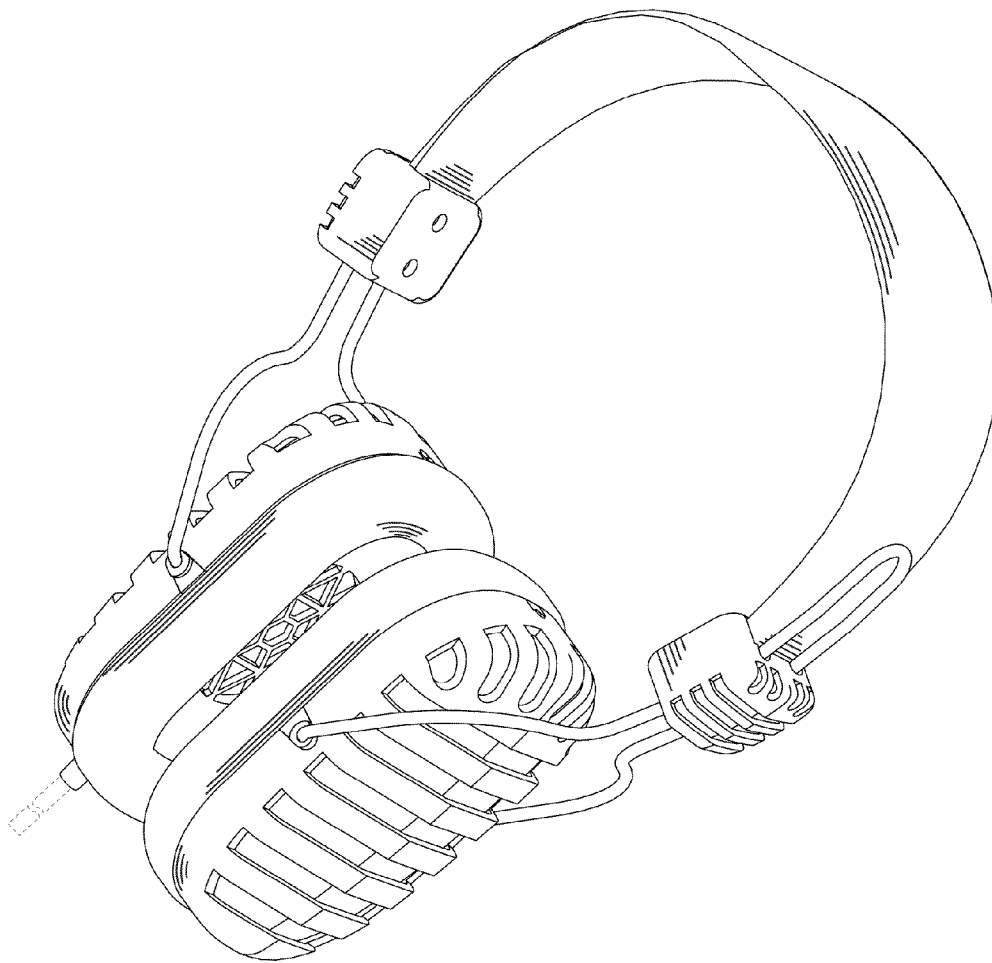


FIG. 6