



US00D708214S

(12) **United States Design Patent**  
**Lee**

(10) **Patent No.:** **US D708,214 S**  
(45) **Date of Patent:** **\*\* Jul. 1, 2014**

(54) **DISPLAY SCREEN PORTION WITH ICON**

(75) Inventor: **Bo-Ran Lee**, Seoul (KR)

(73) Assignee: **Samsung Electronics Co., Ltd.**,  
Suwon-si (KR)

(\*\*) Term: **14 Years**

(21) Appl. No.: **29/422,564**

(22) Filed: **May 22, 2012**

(30) **Foreign Application Priority Data**

Dec. 9, 2011 (KR) ..... 30-2011-0052487

(51) **LOC (10) Cl.** ..... **14-04**

(52) **U.S. Cl.**  
USPC ..... **D14/489**

(58) **Field of Classification Search**  
USPC ..... D14/485–495; D18/26, 31, 32, 33;  
D20/11, 12, 23, 24, 25, 29, 30, 31, 32,  
D20/36, 37, 38; 715/700–867

See application file for complete search history.

(56) **References Cited**

**U.S. PATENT DOCUMENTS**

D487,468	S	*	3/2004	Glaser et al.	.....	D14/489
D487,469	S	*	3/2004	Glaser et al.	.....	D14/489
D565,586	S	*	4/2008	Shin et al.	.....	D14/488
D572,726	S	*	7/2008	Guimaraes et al.	.....	D14/495
D582,940	S	*	12/2008	Carpenter et al.	.....	D14/493
D594,465	S	*	6/2009	Hong et al.	.....	D14/486
D623,195	S	*	9/2010	La et al.	.....	D14/489

8,082,523	B2	*	12/2011	Forstall et al.	.....	715/863
8,219,513	B2	*	7/2012	Covannon et al.	.....	706/47
D667,450	S	*	9/2012	Eby et al.	.....	D14/492
D668,674	S	*	10/2012	Suarez	.....	D14/492
D677,326	S	*	3/2013	Gleasant et al.	.....	D18/27
D684,185	S	*	6/2013	van Dongen et al.	.....	D14/489
D688,700	S	*	8/2013	Brown et al.	.....	D14/489
D694,262	S	*	11/2013	Jang et al.	.....	D14/492
D697,081	S	*	1/2014	van Dongen et al.	.....	D14/489
2008/0129758	A1	*	6/2008	Fox et al.	.....	345/661
2010/0268426	A1	*	10/2010	Pathak et al.	.....	701/48
2011/0083103	A1	*	4/2011	Shim et al.	.....	715/810
2012/0179988	A1	*	7/2012	Suh et al.	.....	715/767
2013/0245494	A1	*	9/2013	Speeg et al.	.....	600/566

\* cited by examiner

*Primary Examiner* — Barbara Fox

(74) *Attorney, Agent, or Firm* — NSIP Law

(57) **CLAIM**

The ornamental design for an display screen portion with icon, as shown and described.

**DESCRIPTION**

FIG. 1 is a front view of a generated image for a display screen or portion thereof showing my new design; and, FIG. 2 is a front view of the generated image of FIG. 1, in which a mobile terminal in broken lines is provided to illustrate an example environment.

The broken line drawing of the mobile terminal, and the symbols and otherwise images shown in broken lines in the generated image of FIG. 2 are for illustrative purposes only and form no part of the claimed design.

**1 Claim, 2 Drawing Sheets**

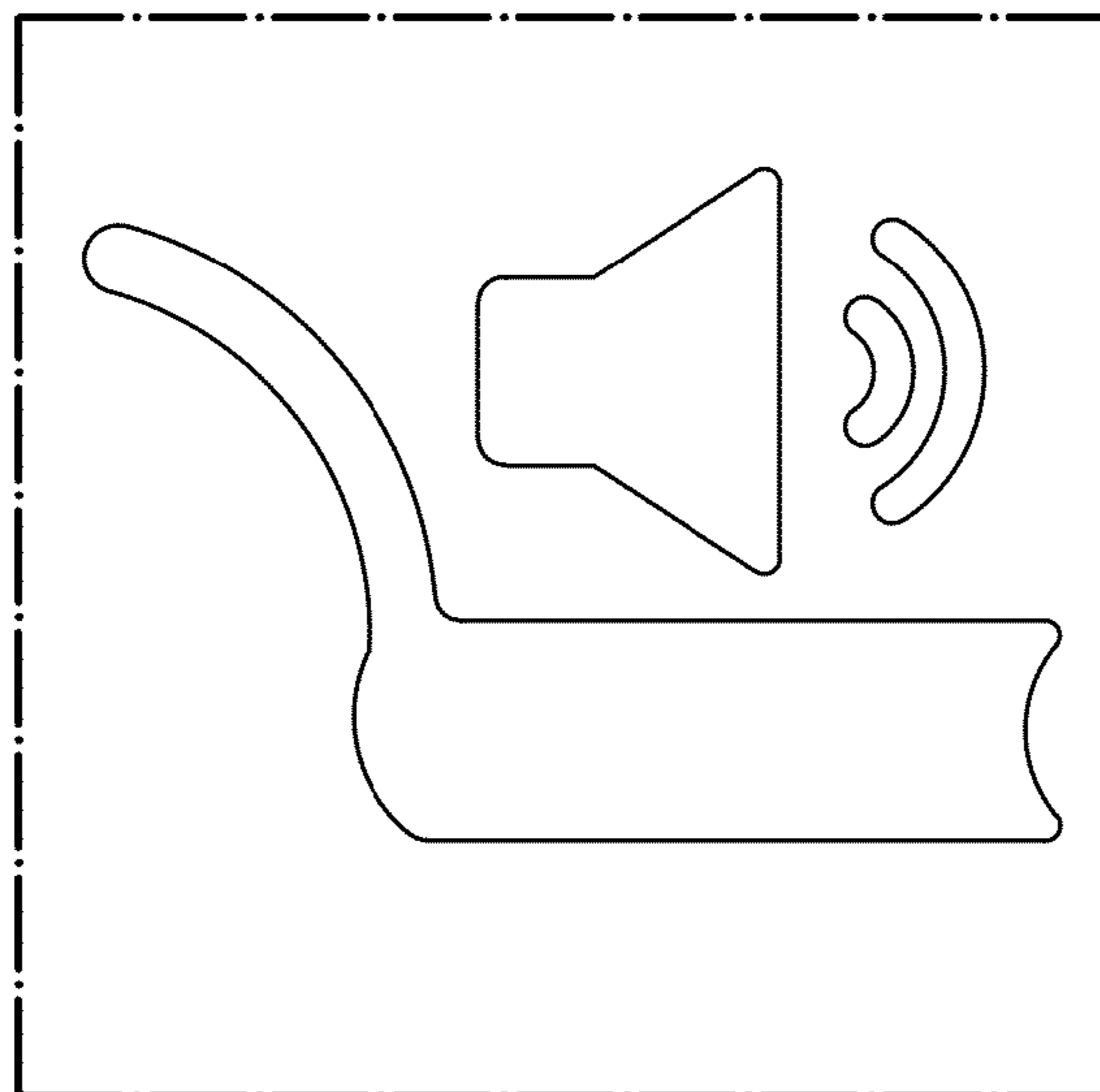


FIG. 1

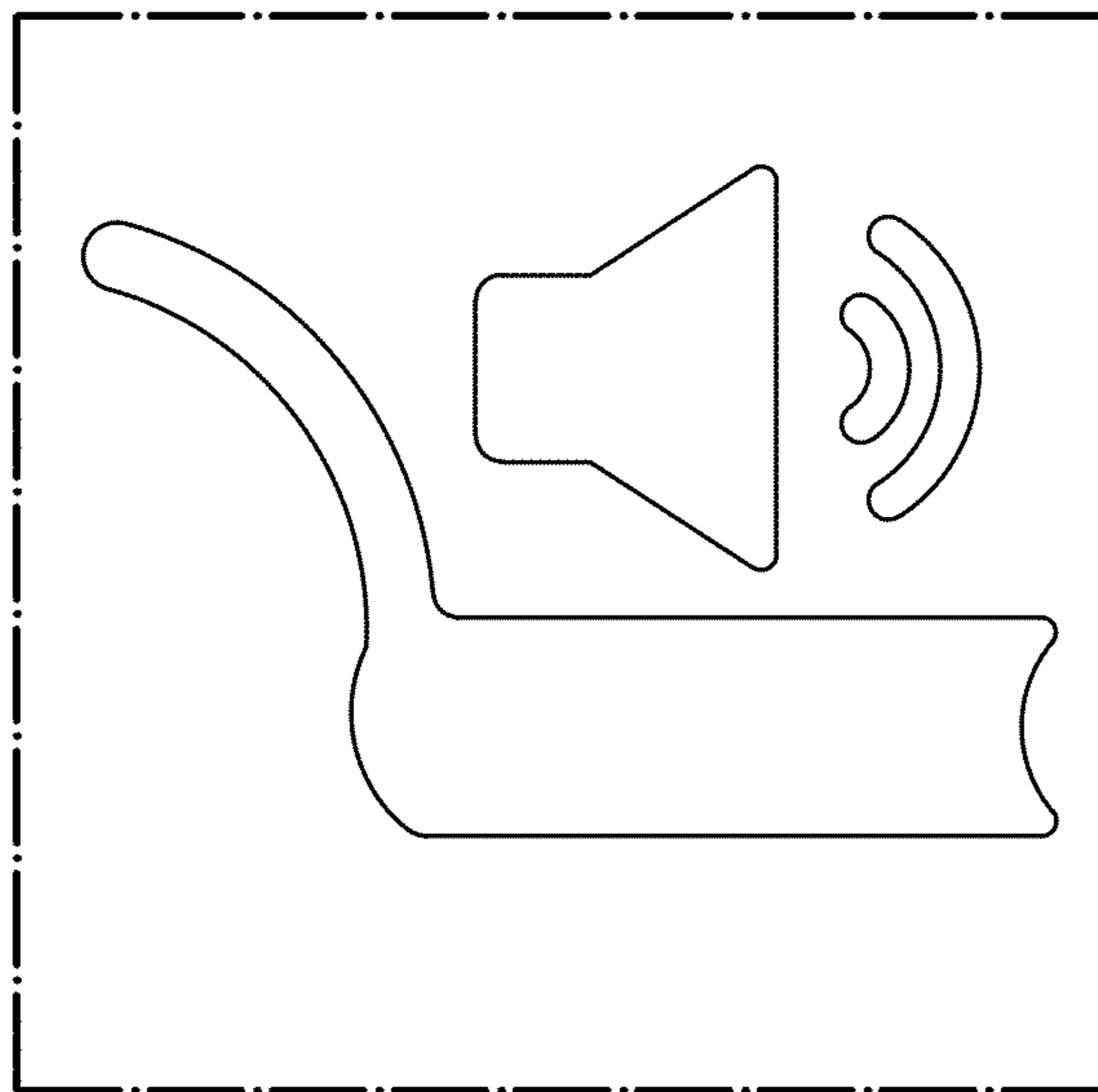


FIG. 2

