



US00D837197S

(12) **United States Design Patent**
Kim

(10) **Patent No.:** **US D837,197 S**

(45) **Date of Patent:** **** Jan. 1, 2019**

(54) **CASE FOR ELECTRONIC DEVICE**

(74) *Attorney, Agent, or Firm* — Heedong Chae; Lucem, PC

(71) Applicant: **SPIGEN KOREA CO., LTD.**, Seoul (KR)

(72) Inventor: **Dae-Young Kim**, Seoul (KR)

(57) **CLAIM**

(73) Assignee: **SPIGEN KOREA CO., LTD.**, Seoul (KR)

The ornamental design for a case for electronic devices, as shown and described.

(**) Term: **15 Years**

(21) Appl. No.: **29/617,358**

(22) Filed: **Sep. 13, 2017**

DESCRIPTION

Related U.S. Application Data

(63) Continuation of application No. 29/506,119, filed on Oct. 13, 2014, now Pat. No. Des. 800,713.

(51) **LOC (11) Cl.** **14-03**

(52) **U.S. Cl.**
USPC **D14/250**

(58) **Field of Classification Search**

USPC D14/250–253, 440, 203.3–203.7, 217, D14/496, 248, 238.1, 240, 447, 230, 247, D14/341, 345, 346, 439; D3/201, 218, D3/269, 301, 273, 303; D13/103, D13/107–108

CPC . A45C 2011/002; A45C 11/00; A45C 13/002; A45C 2011/003; H04M 1/0283; H04M 1/0202; H04M 1/185; H04B 1/3888

See application file for complete search history.

FIG. 1 is a front perspective view of a case for electronic devices showing my new design; FIG. 2 is a rear perspective view thereof; FIG. 3 is a front elevational view thereof; FIG. 4 is a rear elevational view thereof; FIG. 5 is a left side elevational view thereof; FIG. 6 is a right side elevational view thereof; FIG. 7 is a top plan view thereof; FIG. 8 is a bottom plan view thereof; FIG. 9 is a three-dimensional view of the case with a support leg extended; FIG. 10 is a three-dimensional exploded view of the case, showing an outer frame, the support leg, and an inner shell of the case; FIG. 11 is a front perspective view of the inner shell of the case; FIG. 12 is a rear perspective view of the inner shell of the case; FIG. 13 is a rear perspective view of the support leg of the case; FIG. 14 is a front perspective view of the support leg of the case; FIG. 15 is a front perspective view of the outer frame of the case; and, FIG. 16 is a rear perspective view of the outer frame of the case. The broken line showing of environment is for illustrative purposes only and forms no part of the claimed design.

(56) **References Cited**

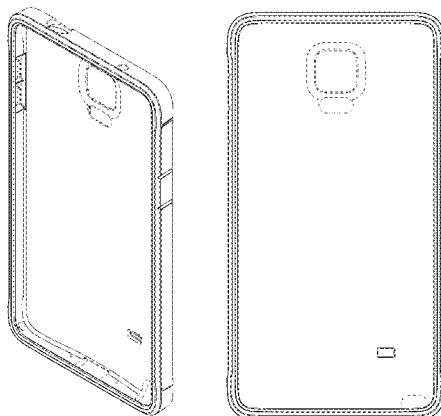
U.S. PATENT DOCUMENTS

- D663,263 S 7/2012 Gupta
- D679,271 S 4/2013 Liu
- D681,615 S 5/2013 Fathollahi
- D689,852 S 9/2013 Azoulay
- D695,735 S 12/2013 Kitchen
- D698,773 S 2/2014 Wildner

(Continued)

Primary Examiner — Sandra S Snapp
Assistant Examiner — Holly E Thurman

1 Claim, 16 Drawing Sheets



(56)

References Cited

U.S. PATENT DOCUMENTS

| | | | | |
|-----------|------|---------|-----------------|-------------|
| D700,583 | S | 3/2014 | Bacchus | |
| D706,254 | S | 6/2014 | Chang | |
| D721,069 | S | 1/2015 | Havens et al. | |
| D723,019 | S | 2/2015 | Chan | |
| D724,572 | S | 3/2015 | Wildner | |
| D727,304 | S | 4/2015 | Lee | |
| D729,781 | S | 5/2015 | Lee | |
| D733,693 | S | 7/2015 | Wang | |
| D765,633 | S | 9/2016 | Northrup et al. | |
| D776,104 | S | 1/2017 | Tien | |
| D780,167 | S | 2/2017 | Tien | |
| 9,628,133 | B2 * | 4/2017 | Kim | H04B 1/3888 |
| D791,755 | S * | 7/2017 | Kim | D14/250 |
| D796,497 | S * | 9/2017 | Kim | D14/250 |
| D800,713 | S * | 10/2017 | Kim | D14/250 |
| D807,338 | S * | 1/2018 | Kim | D14/250 |

* cited by examiner

FIG. 1

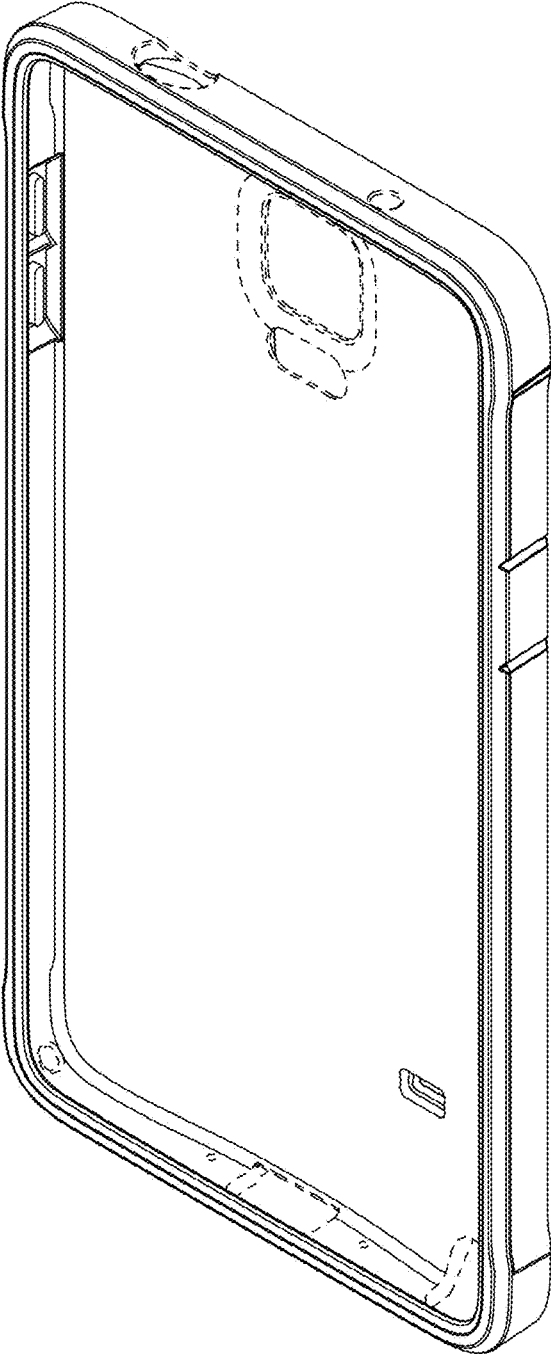


FIG. 2

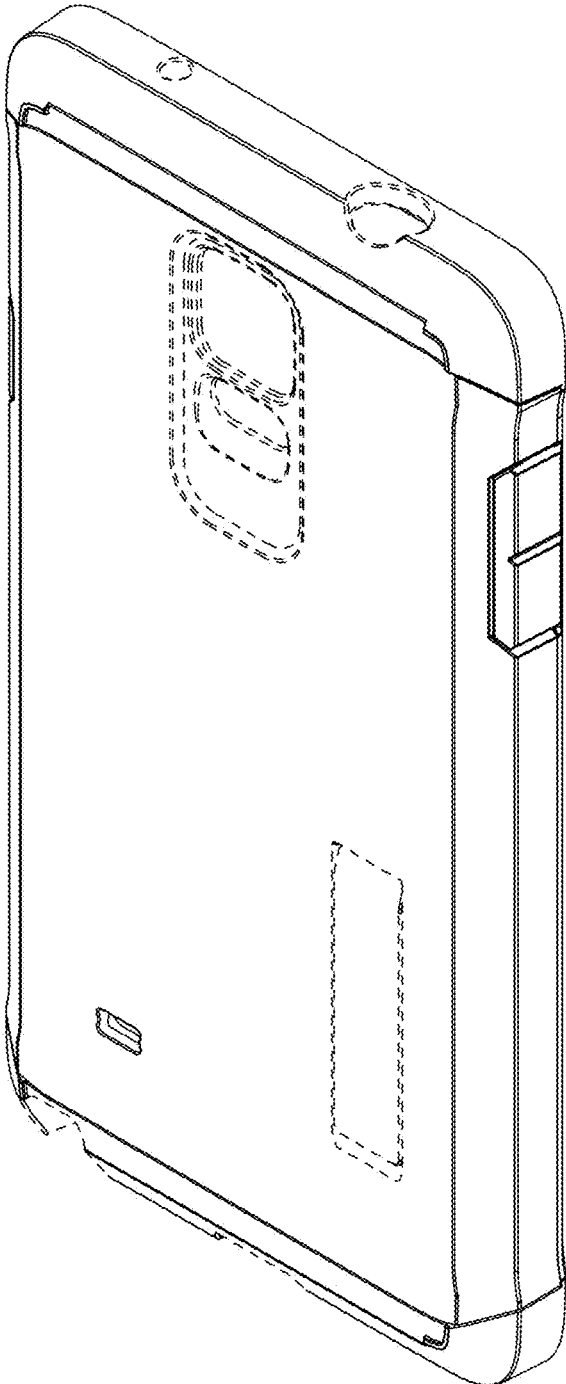


FIG. 3

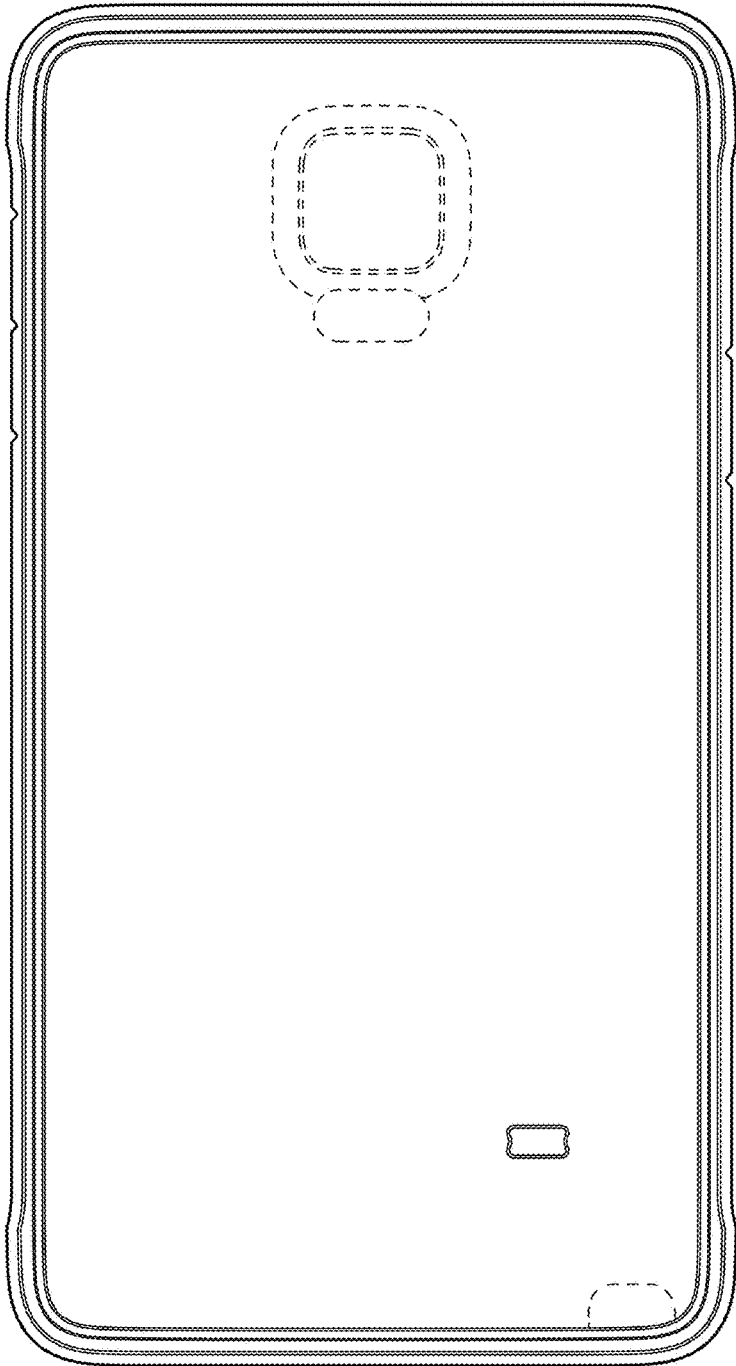


FIG. 4

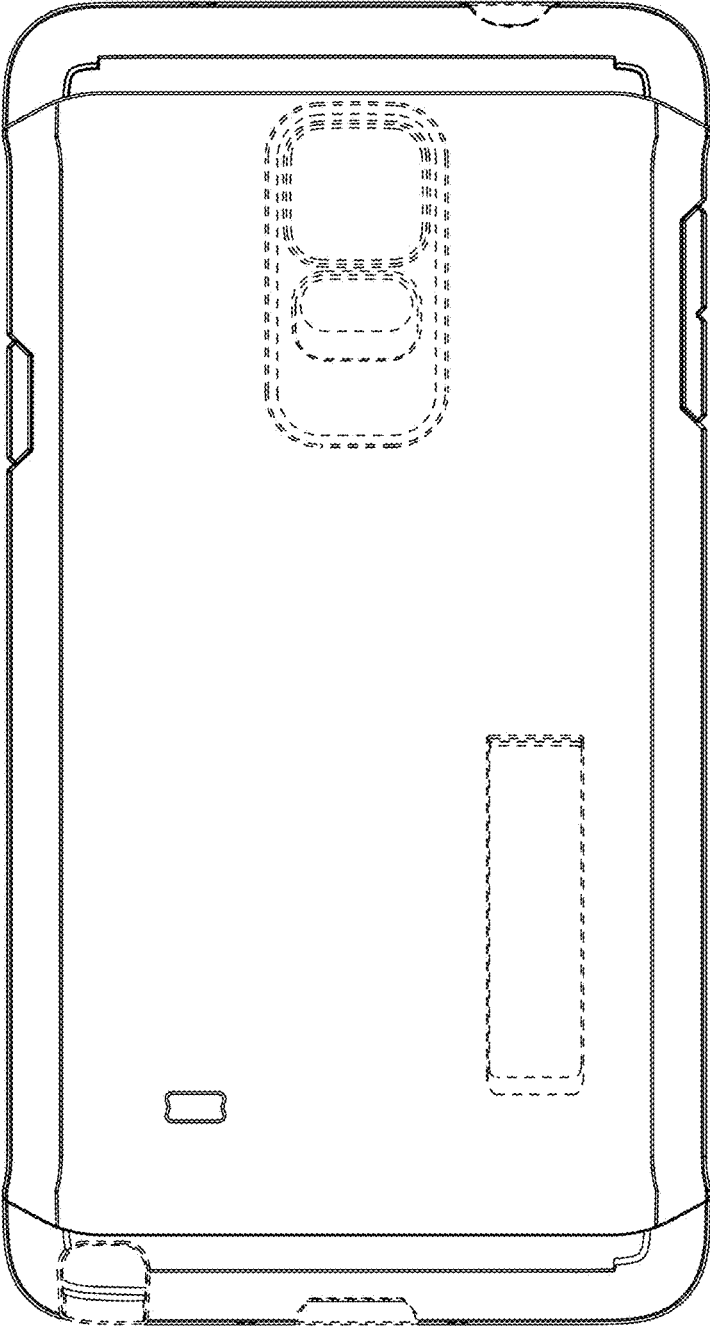


FIG. 5

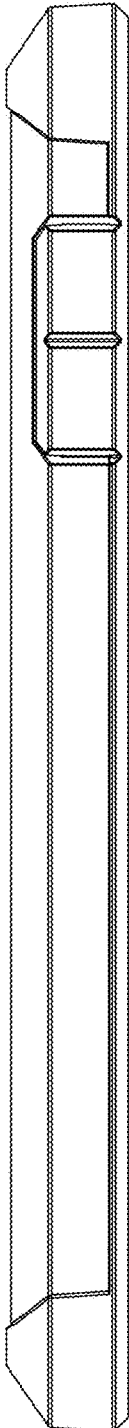


FIG. 6

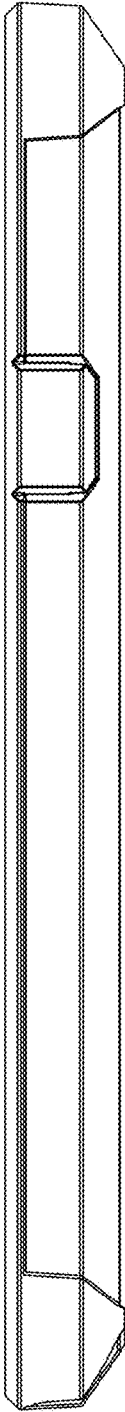


FIG. 7

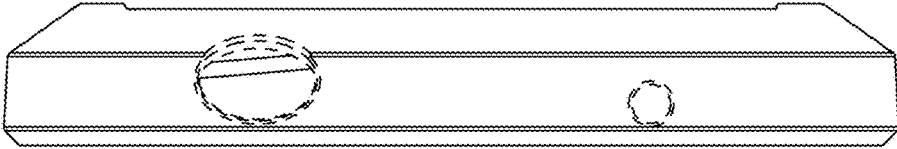


FIG. 8

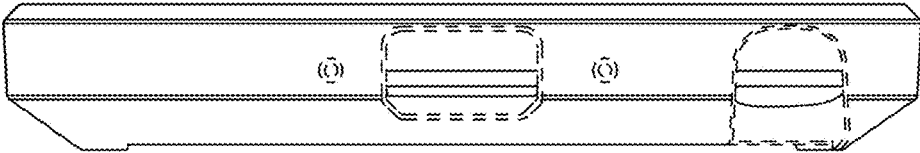


FIG. 9

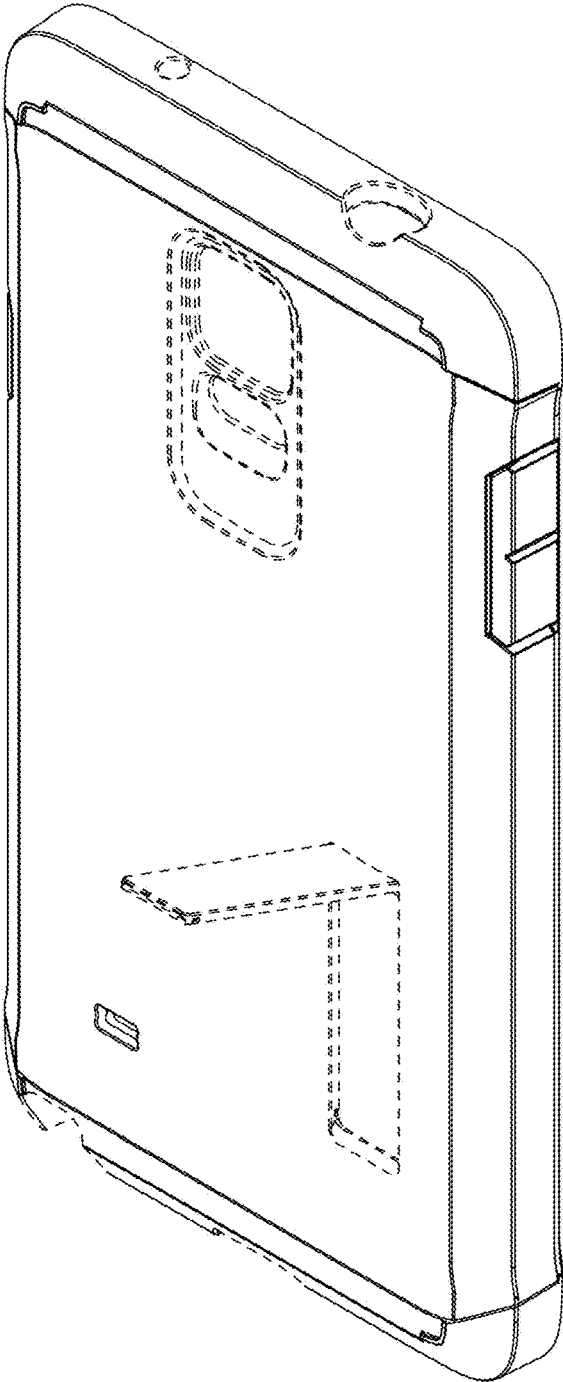


FIG. 10

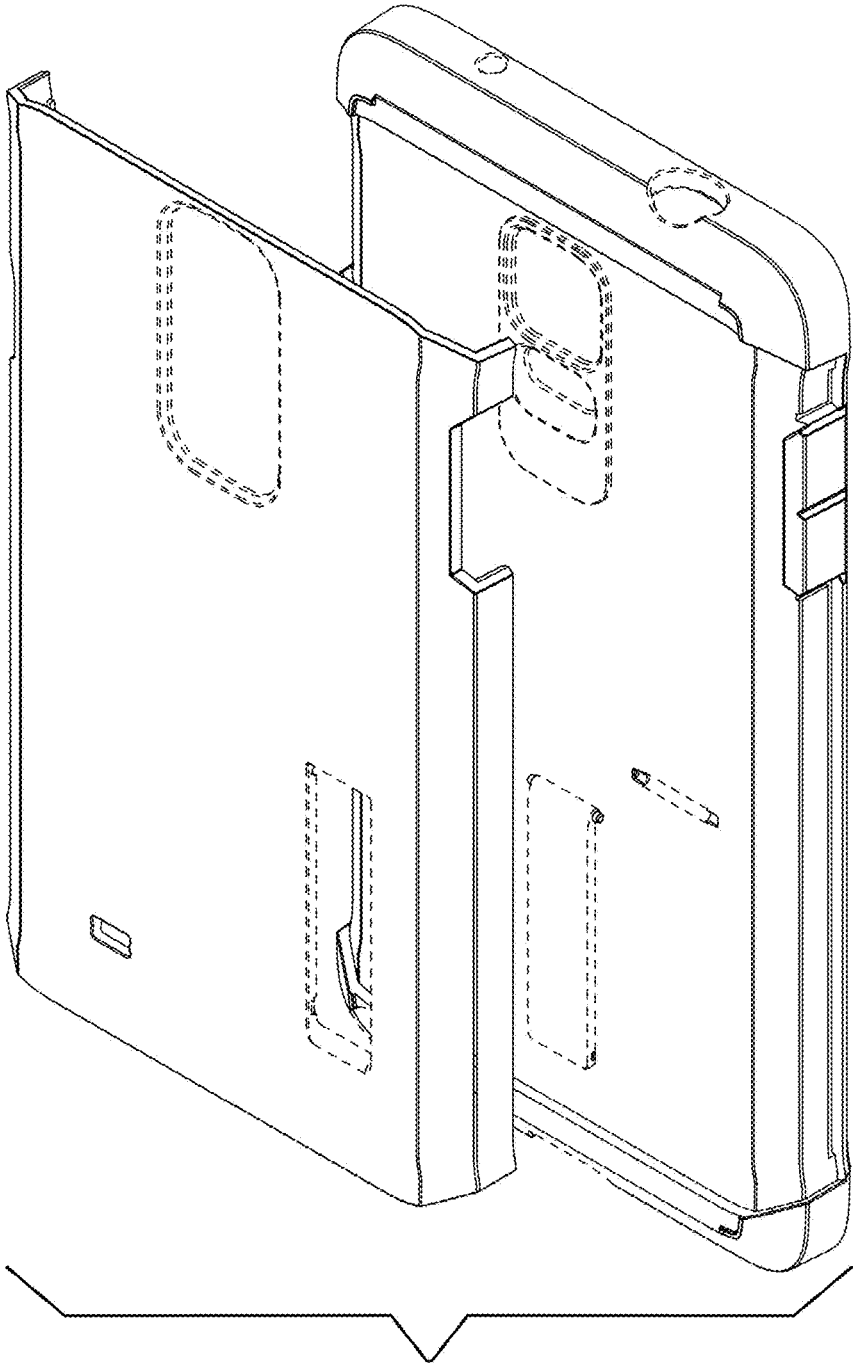


FIG. 11

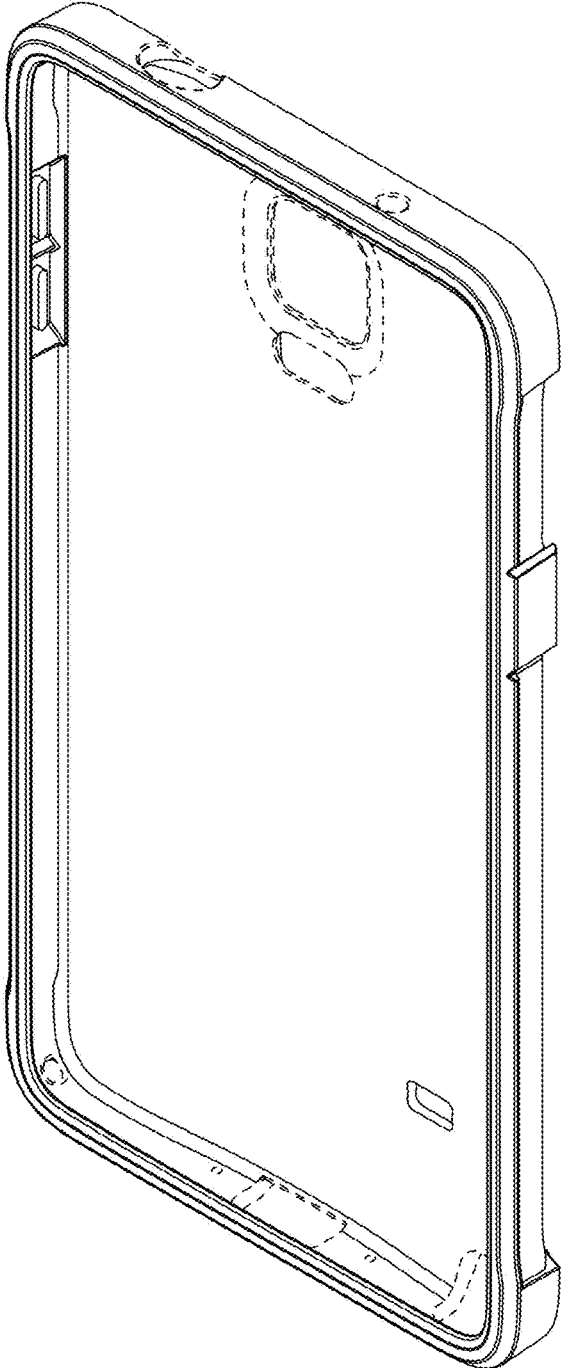


FIG. 12

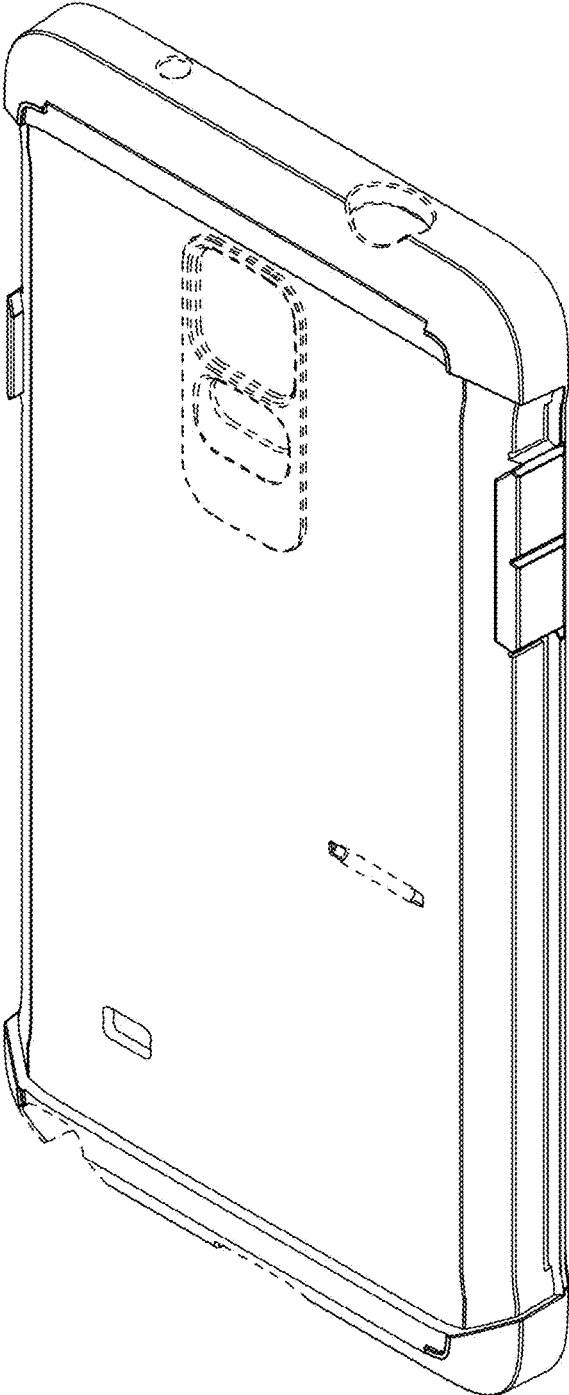


FIG. 13



FIG. 14

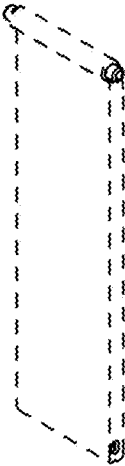


FIG. 15

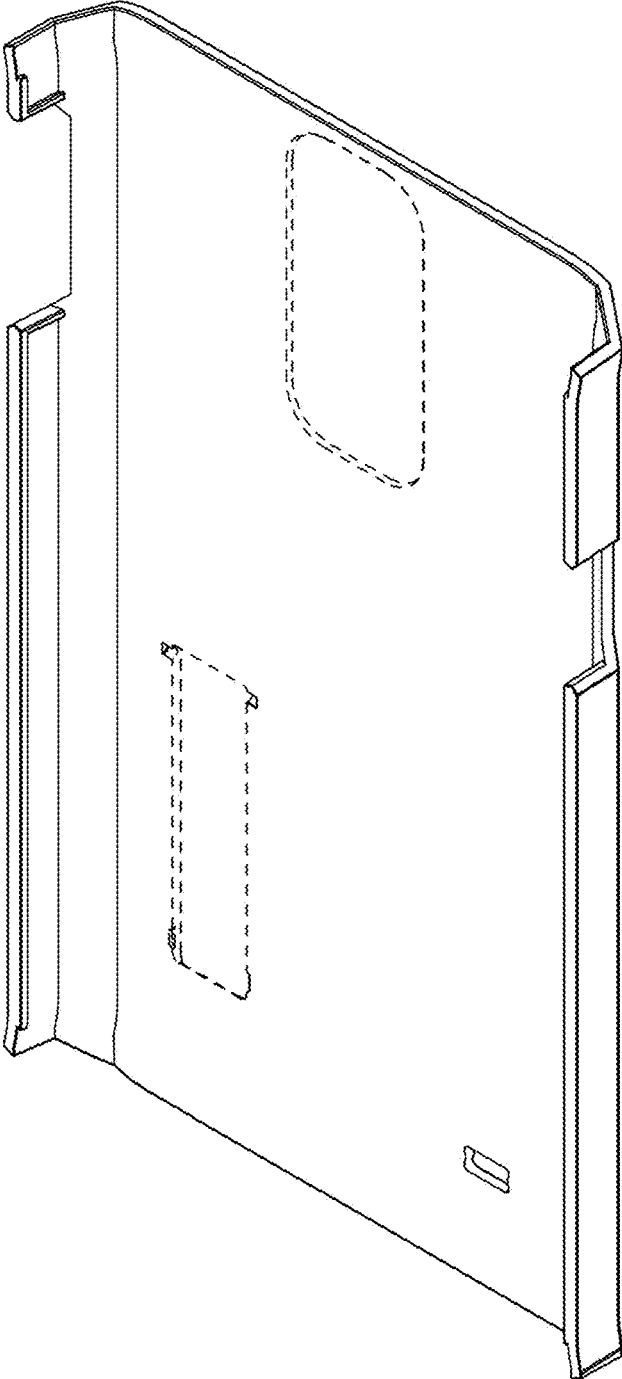


FIG. 16

