



US0D1038287S

(12) **United States Design Patent** (10) **Patent No.:** **US D1,038,287 S**
Ackermann et al. (45) **Date of Patent:** **** Aug. 6, 2024**

(54) **PLATFORM TRAINER**

FOREIGN PATENT DOCUMENTS

(71) Applicant: **Evolution Group USA LLC**, Doral, FL (US)

CN 202330265894.7 * 8/2023
CN 202330571998.0 * 2/2024

(Continued)

(72) Inventors: **Marc Ackermann**, Doral, FL (US);
Jordan Perkins, Doral, FL (US)

OTHER PUBLICATIONS

(73) Assignee: **Evolution Group USA LLC**, Doral, FL (US)

RitFit, Multi-Function Hip Thrust Machine Bench Platform, published on Nov. 23, 2022 [online]. Retrieved from internet (Date: Mar. 6, 2024), <https://www.amazon.com/RitFit-Multi-function-Platform-Capacity-Equipment/dp/B0BN5S3GD7/?th=1> (Year: 2022).*

(Continued)

(**) Term: **15 Years**

(21) Appl. No.: **29/866,686**

Primary Examiner — Katherine A Holbrow

(22) Filed: **Sep. 23, 2022**

Assistant Examiner — Riya Salil Kamat

(51) **LOC (14) Cl.** **21-02**

(74) *Attorney, Agent, or Firm* — Michael Best & Friedrich LLP

(52) **U.S. Cl.**
USPC **D21/686**; D21/662; D21/671; D21/676;
D21/687

(58) **Field of Classification Search**
USPC D21/662, 671, 676, 686, 687, 690, 695
CPC A63B 2022/0033; A63B 21/0428; A63B 21/4033; A63B 23/0482; A63B 21/0414; A63B 21/4009; A63B 21/068; A63B 23/0222; A63B 22/0087; A63B 22/203; A63B 23/02; A63B 23/0355; A63B 23/0405; A63B 2023/006; A63B 23/0488; A63B 2023/0411; A63B 23/0417; A63B 2244/09

(57) **CLAIM**

We claim the ornamental design for a platform trainer, as shown and described.

See application file for complete search history.

DESCRIPTION

FIG. 1 is an isometric view of a platform trainer embodying the design.

FIG. 2 is a top plan view of the design shown in FIG. 1.

FIG. 3 is a left elevation view of the design shown in FIG. 1.

FIG. 4 is a right elevation view of the design shown in FIG. 1.

FIG. 5 is a rear elevation view of the design shown in FIG. 1; and,

FIG. 6 is a front elevation view of the design shown in FIG. 1.

The broken lines in the drawings illustrate portions of the platform trainer that form no part of the claimed design.

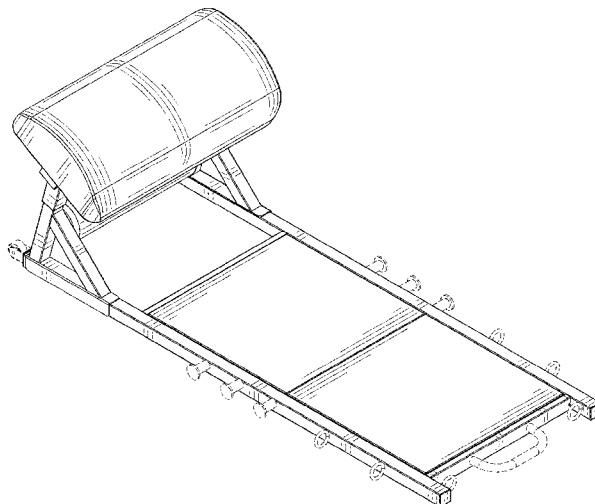
(56) **References Cited**

U.S. PATENT DOCUMENTS

3,911,779 A * 10/1975 Della-Porta G10D 13/02
84/411 R
6,390,960 B1 * 5/2002 Boland A63B 21/055
482/907
D496,701 S * 9/2004 Chung D21/687
D685,867 S 7/2013 Mehlman
D740,380 S * 10/2015 Sorensen D21/687
D764,606 S * 8/2016 Lagree D21/676

(Continued)

1 Claim, 6 Drawing Sheets



(56)

References Cited

OTHER PUBLICATIONS

U.S. PATENT DOCUMENTS

| | | | | |
|--------------|------|---------|-------------------|-------------------------|
| 9,630,055 | B2 | 4/2017 | Runyan | |
| 9,669,255 | B2 | 6/2017 | Henniger | |
| 10,046,193 | B1 * | 8/2018 | Aronson | A63B 21/4034 |
| D911,463 | S * | 2/2021 | Roseberry | D21/686 |
| 11,465,011 | B1 * | 10/2022 | Lagree | A63B 21/0428 |
| D989,198 | S * | 6/2023 | Bentivoglio | D21/676 |
| D989,199 | S * | 6/2023 | Bentivoglio | D21/676 |
| D1,006,921 | S * | 12/2023 | Shen | D21/687 |
| D1,007,622 | S * | 12/2023 | Lett | D21/679 |
| 2007/0219053 | A1 * | 9/2007 | Barufka | A63B 21/02 482/4 |
| 2011/0172069 | A1 * | 7/2011 | Gerschefske | A63B 22/0089 482/139 |
| 2019/0111302 | A1 * | 4/2019 | Ballestero | A63B 23/0211 |
| 2020/0338391 | A1 | 10/2020 | Hall et al. | |
| 2023/0277894 | A1 * | 9/2023 | Anthony | A63B 22/0087 482/142 |

FOREIGN PATENT DOCUMENTS

| | | | | |
|----|-----------|------|--------|--------------------|
| GB | 6125825 | * | 3/2021 | |
| GB | 2589624 | A * | 6/2021 | A63B 21/0724 |
| KR | 102374104 | B1 * | 3/2022 | |
| KR | 102418720 | B1 * | 7/2022 | |

Academy Sports + Outdoors, Skelcore Platform Trainer, published on Mar. 5, 2024 [online]. Retrieved from internet (Date: Mar. 5, 2024), <https://www.academy.com/p/skelcore-platform-trainer> (Year: 2024).*

RitFit, PHM01 Hip Thrust Machine, published on Dec. 4, 2022 [online]. Retrieved from internet (Date: Mar. 6, 2024), <https://www.ritfitsports.com/products/ritfit-hip-thrust-machine?variant=41148016427059> (Year: 2022).*

Syedee, Hip Thrust Machine, published on Jun. 11, 2023 [online]. Retrieved from internet (Date: Mar. 6, 2024), <https://www.amazon.com/syedee-Machine-Workout-Equipment-Training/dp/B0C7P4P8XV/?th=1> (Year: 2023).*

* cited by examiner

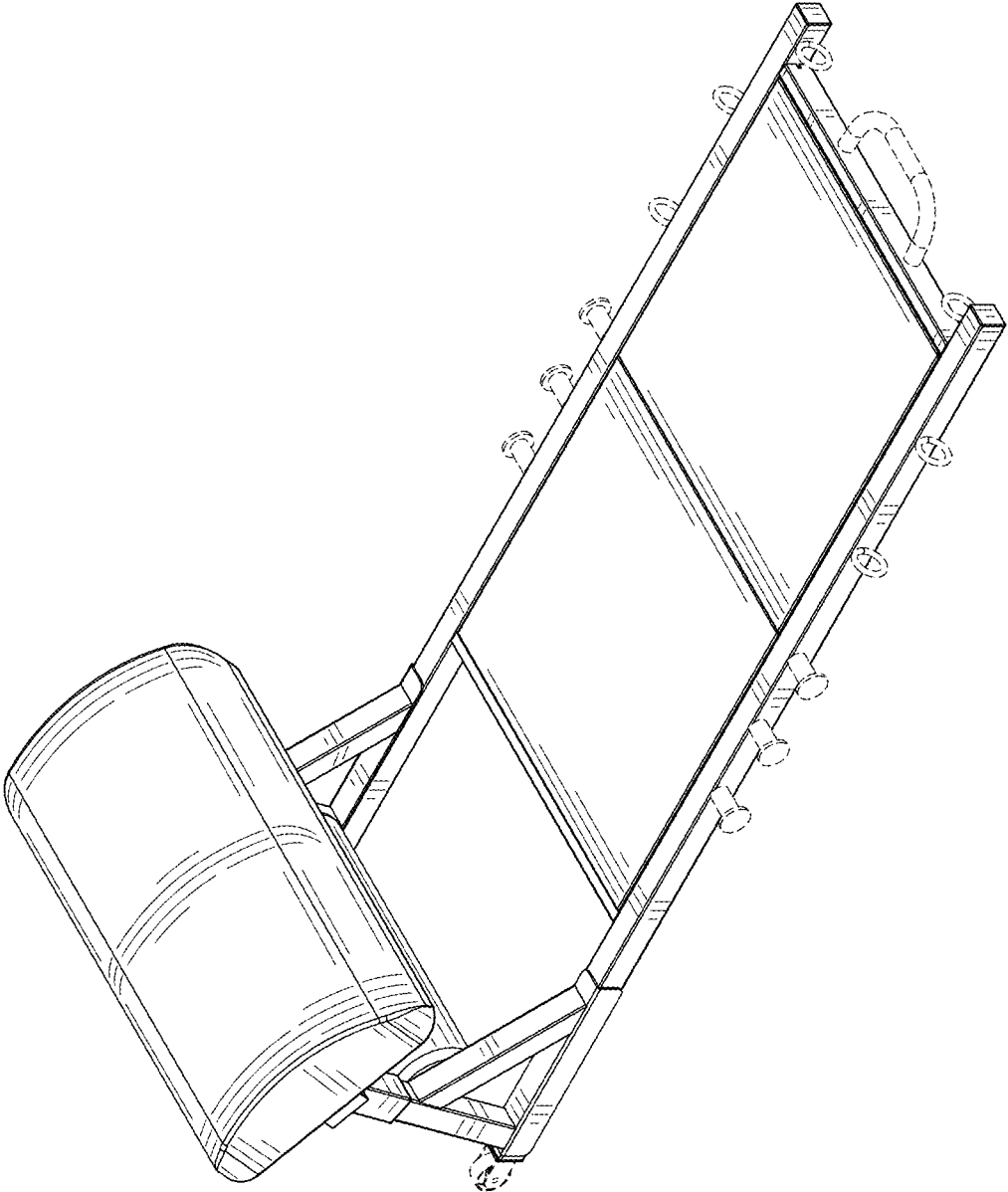


FIG. 1

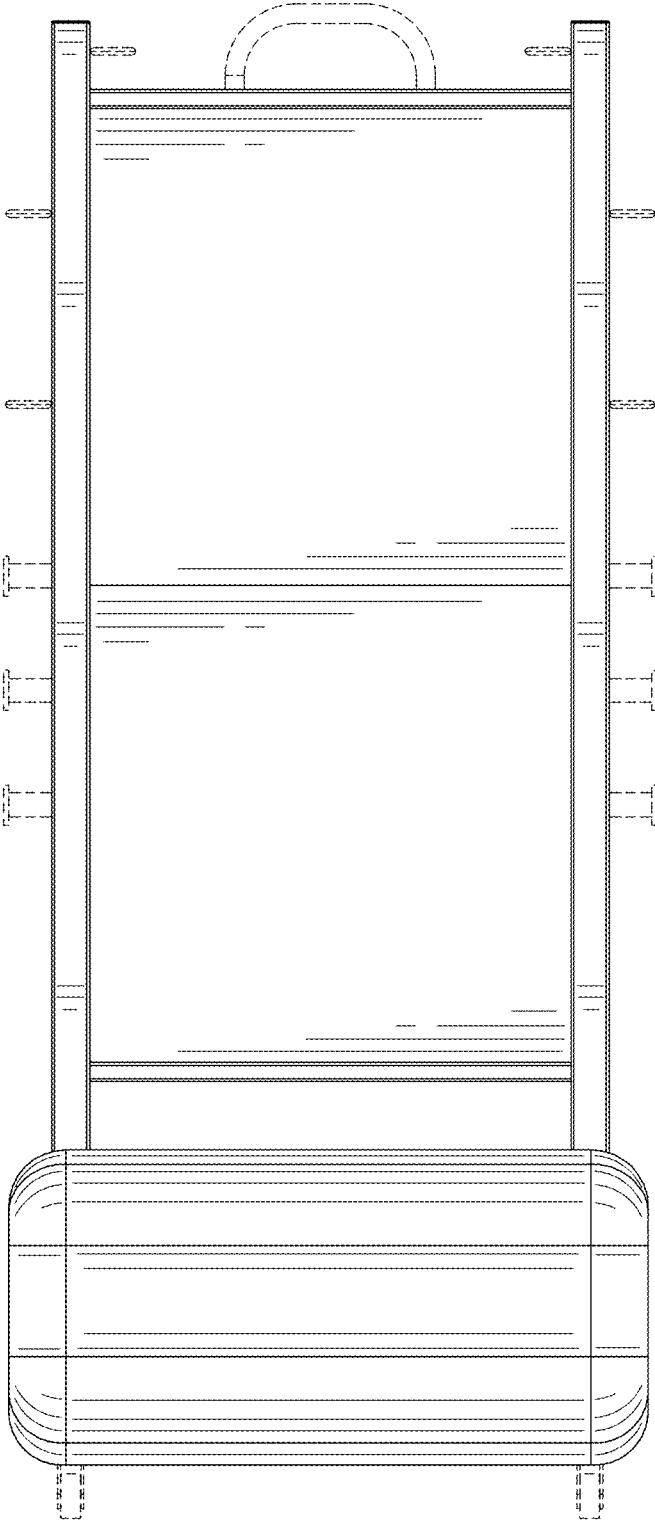


FIG. 2

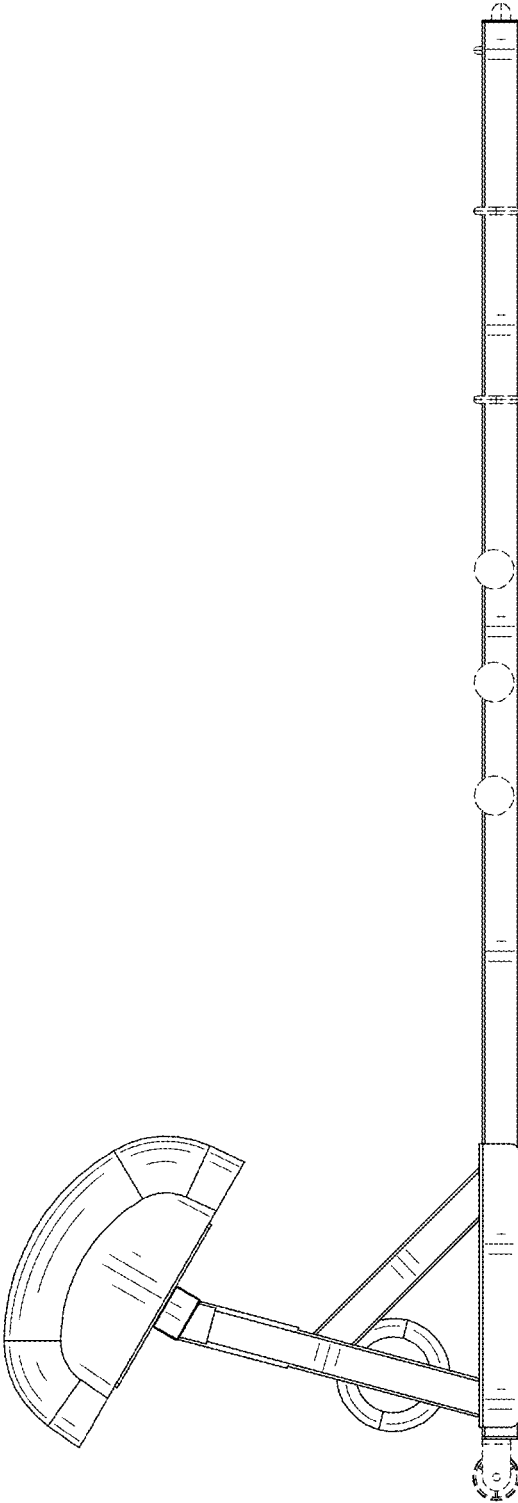


FIG. 3

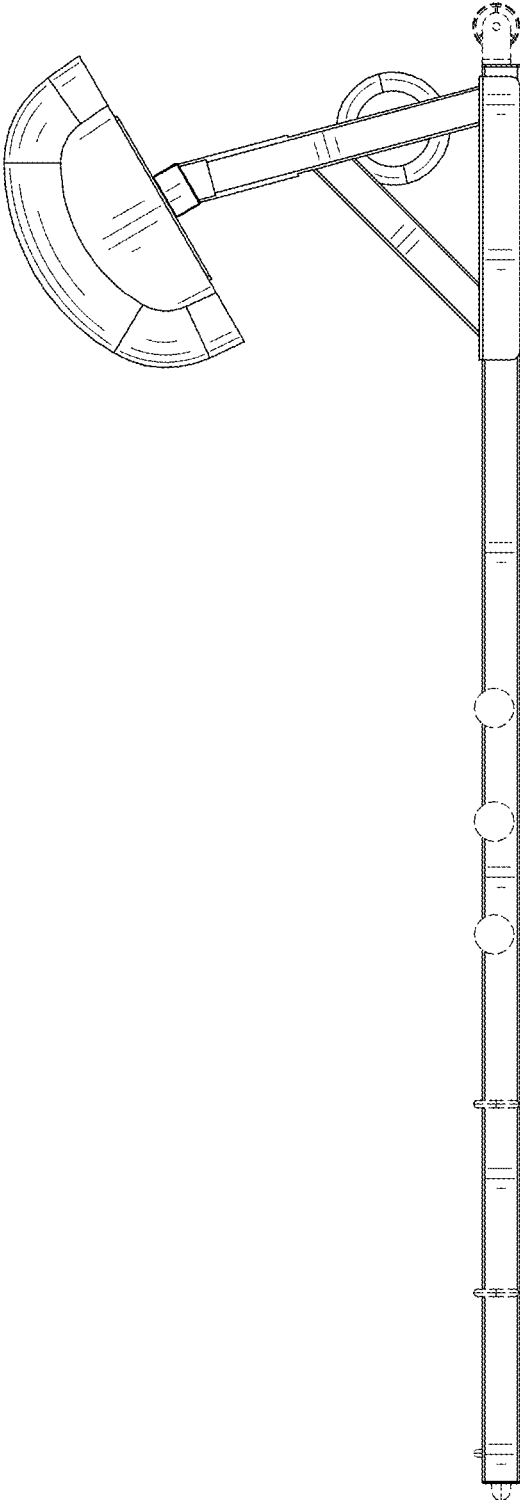


FIG. 4

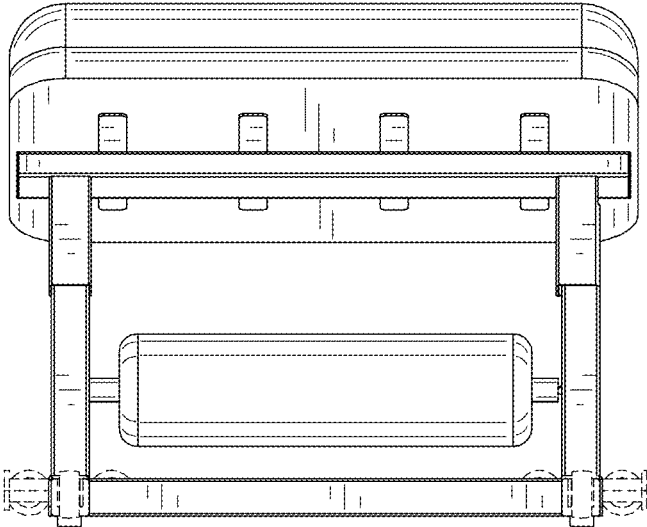


FIG. 5

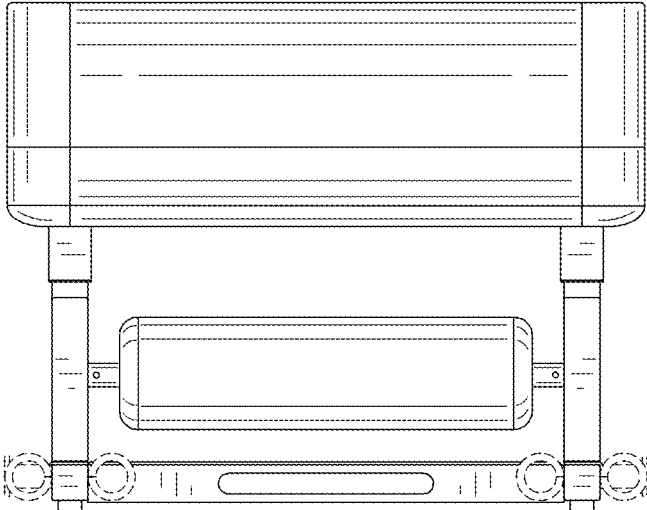


FIG. 6