



US00D709390S

(12) **United States Design Patent**
Ni et al.

(10) **Patent No.:** **US D709,390 S**

(45) **Date of Patent:** **** Jul. 22, 2014**

(54) **7-BUTTON TIMER**

(75) Inventors: **Lidong Ni, Yueqing (CN); Wei Gao, Yueqing (CN)**

(73) Assignee: **Wenzhou MTL Electric Appliances Co., Ltd., Yueqing (CN)**

(**) Term: **14 Years**

(21) Appl. No.: **29/405,244**

(22) Filed: **Oct. 31, 2011**

(51) **LOC (10) Cl.** **10-03**

(52) **U.S. Cl.**
USPC **D10/40; D13/164**

(58) **Field of Classification Search**
USPC D10/40, 41; D13/158, 162, 162.1, 164, D13/170, 125, 168; 368/10, 89, 96-100, 368/107-121; 200/329, 330, 33 R, 315; 307/139, 140, 141.4; 239/67, 68, 69, 239/70; 137/624.11, 624.12, 624.18, 137/624.21, 624.22

See application file for complete search history.

(56) **References Cited**

U.S. PATENT DOCUMENTS

D310,819	S	*	9/1990	Watson et al.	D13/125
D310,992	S	*	10/1990	Rosenbaum et al.	D13/170
5,160,853	A	*	11/1992	Simon et al.	307/140
D408,303	S	*	4/1999	Janda et al.	D10/40
D409,505	S	*	5/1999	Janda et al.	D10/40

D435,523	S	*	12/2000	Ciornei et al.	D13/164
D455,359	S	*	4/2002	Stekelenburg	D10/40
D500,686	S	*	1/2005	Stekelenburg	D10/40
D533,512	S	*	12/2006	Nakashima et al.	D13/164
D563,904	S	*	3/2008	Patel et al.	D13/164
D575,646	S	*	8/2008	Ni et al.	D10/40
D582,797	S	*	12/2008	Fraser et al.	D10/40
D584,240	S	*	1/2009	Skaf et al.	D13/164
D595,664	S	*	7/2009	Simard et al.	D13/162
D631,852	S	*	2/2011	Clymer et al.	D13/168
2006/0125324	A1	*	6/2006	Lai Lui	307/141.4
2009/0260966	A1	*	10/2009	Patel et al.	200/315
2010/0140070	A1	*	6/2010	Simard et al.	200/33 R

* cited by examiner

Primary Examiner — Caron D Veynar

Assistant Examiner — Martie K Holtje

(74) *Attorney, Agent, or Firm* — Ziegler IP Law Group LLC

(57) **CLAIM**

The ornamental design for a 7-button timer, as shown and described.

DESCRIPTION

FIG. 1 is a perspective view of a 7-button timer showing the new design;

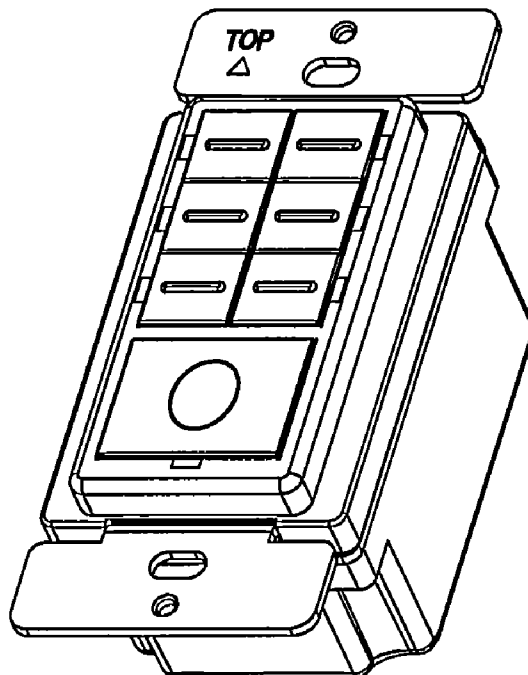
FIG. 2 is a front view thereof;

FIG. 3 is a rear view thereof;

FIG. 4 is a left side view thereof; and,

FIG. 5 is a top view thereof.

1 Claim, 3 Drawing Sheets



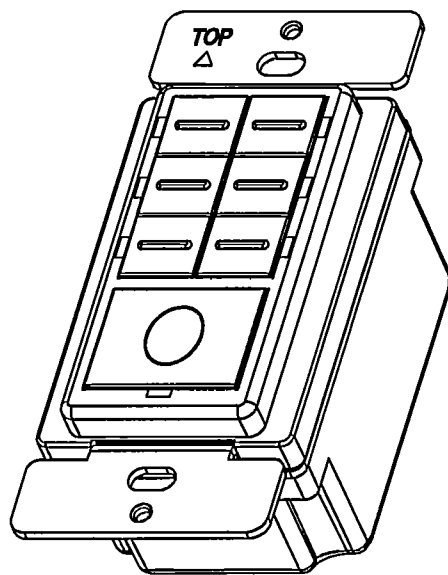


FIG. 1

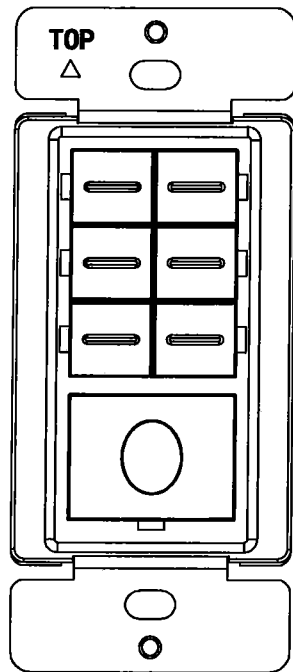


FIG. 2

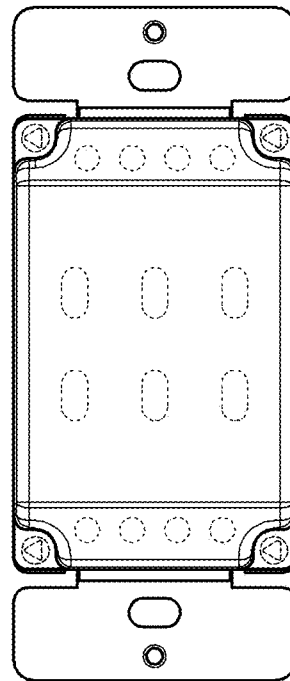


FIG. 3



FIG. 4

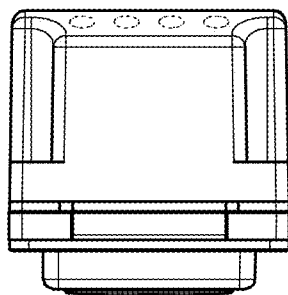


FIG. 5