



US00D660845S

(12) **United States Design Patent**
Schmauch et al.

(10) **Patent No.:** **US D660,845 S**

(45) **Date of Patent:** **** May 29, 2012**

(54) **WALL MOUNTED EXTENSION ARM**

(75) Inventors: **Cisco Patrick Schmauch**, Rohnert Park, CA (US); **Aaron Abroff**, Acton, MA (US); **Cristian J. Daugbjerg**, Novato, CA (US)

(73) Assignee: **GCX Corporation**, Petaluma, CA (US)

(**) Term: **14 Years**

(21) Appl. No.: **29/389,570**

(22) Filed: **Apr. 13, 2011**

(51) **LOC (9) Cl.** **14-02**

(52) **U.S. Cl.** **D14/452**

(58) **Field of Classification Search** D14/452, D14/451, 448, 447, 239, 253; D8/349, 363, D8/373, 380; 248/917-924, 122.1, 124.1, 248/125.8, 371, 393, 157, 425, 176.1, 186.1; 361/679.02, 679.04, 679.05, 679.06, 679.07, 361/679.21, 679.22

See application file for complete search history.

(56) **References Cited**

U.S. PATENT DOCUMENTS

7,048,242	B2 *	5/2006	Oddsens, Jr.	248/280.11
D537,323	S *	2/2007	Saez	D8/363
D544,489	S *	6/2007	Oddsens et al.	D14/452
D555,657	S *	11/2007	Loyd	D14/452
D556,205	S *	11/2007	Wohlford et al.	D14/452
D557,125	S *	12/2007	Worrall et al.	D8/380
D584,734	S *	1/2009	Chu	D14/452
D598,917	S *	8/2009	Luber	D14/375
7,694,927	B2 *	4/2010	Chuang	248/276.1

D627,474	S *	11/2010	Nordgren et al.	D24/185
D631,052	S *	1/2011	Hung	D14/452
2003/0075653	A1 *	4/2003	Li	248/274.1

* cited by examiner

Primary Examiner — Angela J Lee
(74) *Attorney, Agent, or Firm* — Michael A. Glenn; Glenn Patent Group

(57) **CLAIM**
The ornamental design for a wall mounted extension arm, as shown and described.

DESCRIPTION

FIG. 1 is a perspective view of an ornamental design for a wall mounted extension arm according to a first embodiment of my invention;

FIG. 2 is another perspective view thereof, but showing the extended portion in a different location;

FIG. 3 is a right side view of FIG. 1, but shown in a folded position;

FIG. 4 is a right side view of FIG. 1, the left side being a mirror image thereof;

FIG. 5 is a top view thereof;

FIG. 6 is a bottom view thereof;

FIG. 7 is a front view thereof;

FIG. 8 is a rear view thereof;

FIG. 9 is a right side view of a second embodiment of a wall mounted extension arm, the left side being a mirror image thereof;

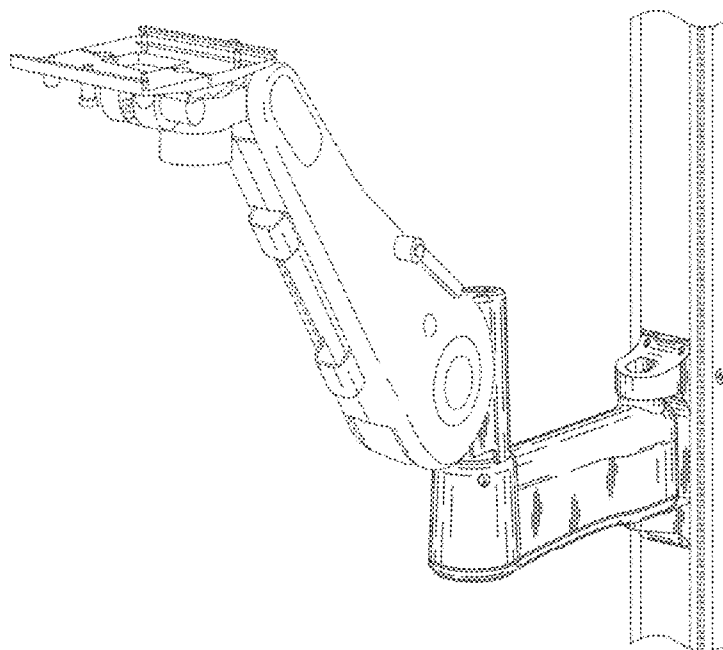
FIG. 10 is a front view thereof;

FIG. 11 is a rear view thereof;

FIG. 12 is a bottom view thereof; and,

FIG. 13 is a top view thereof.

1 Claim, 5 Drawing Sheets



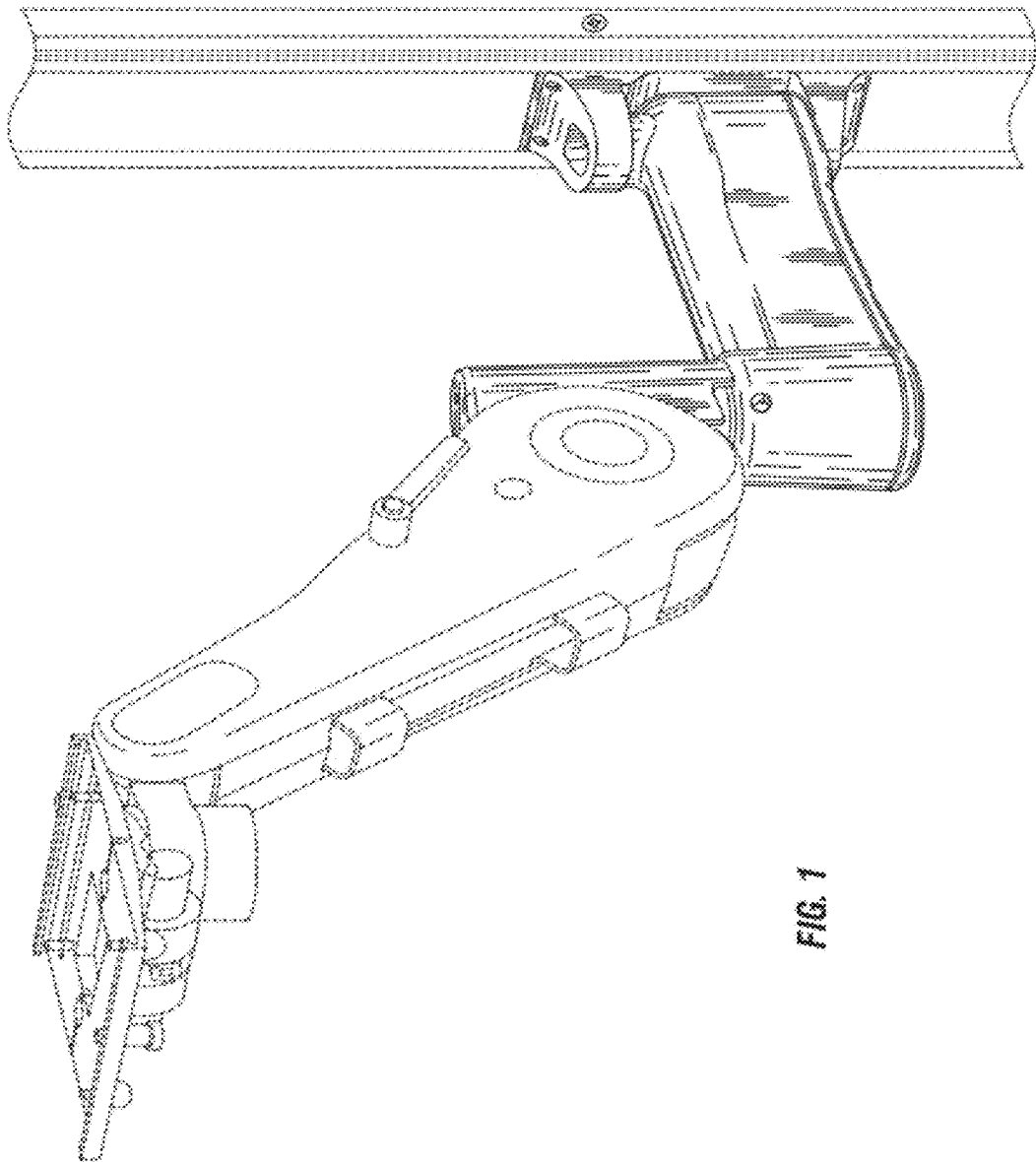


FIG. 1

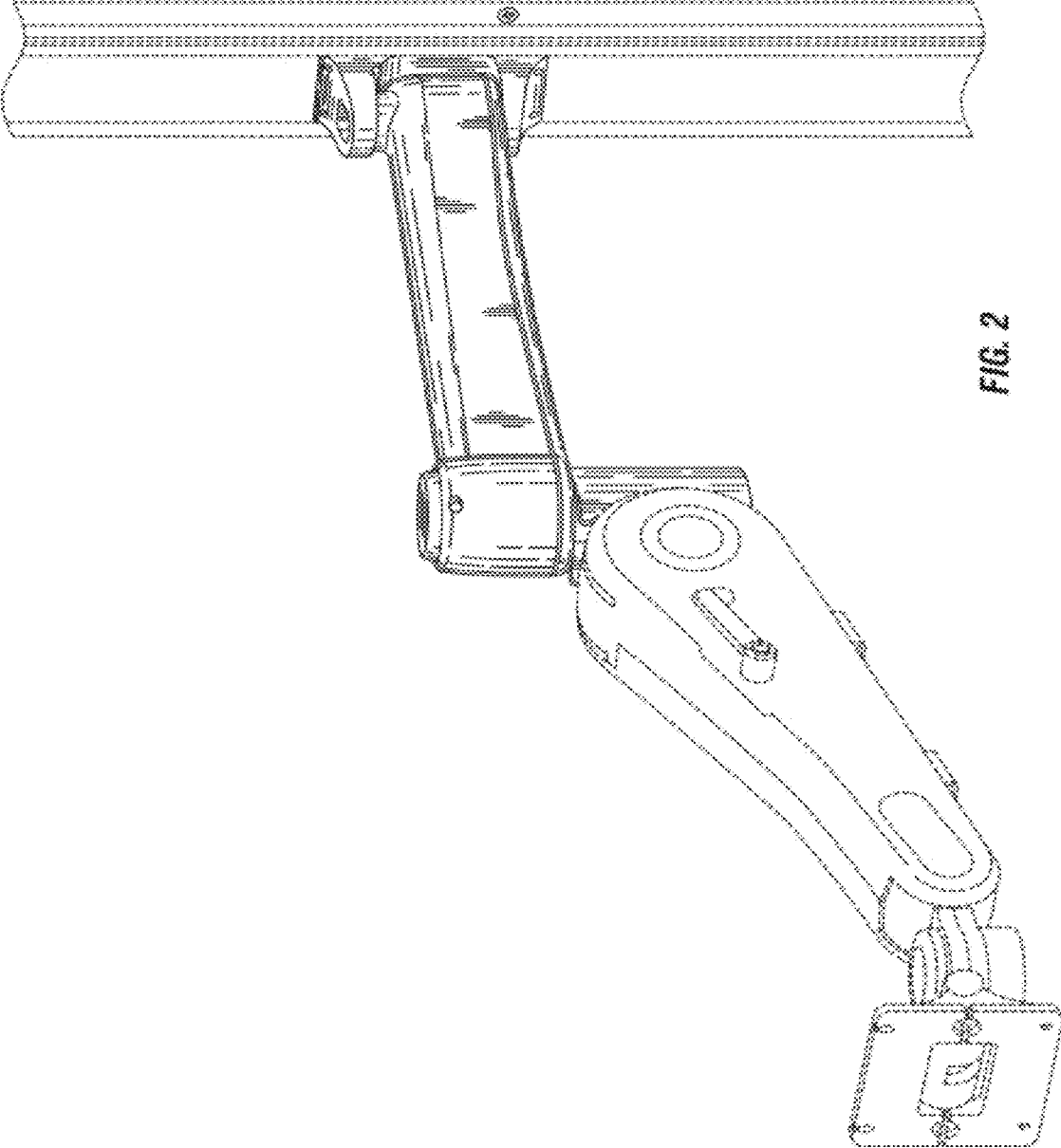


FIG. 2

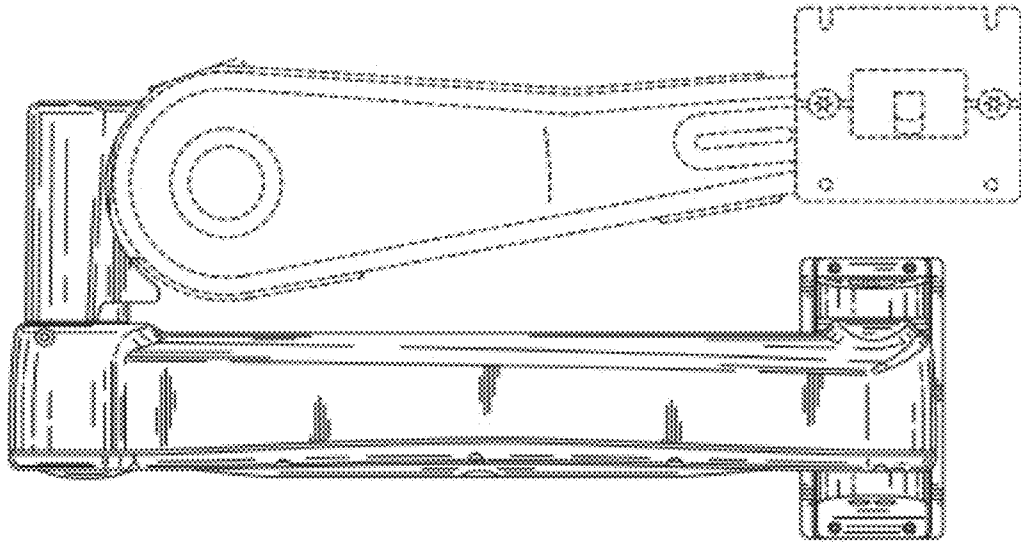


FIG. 3

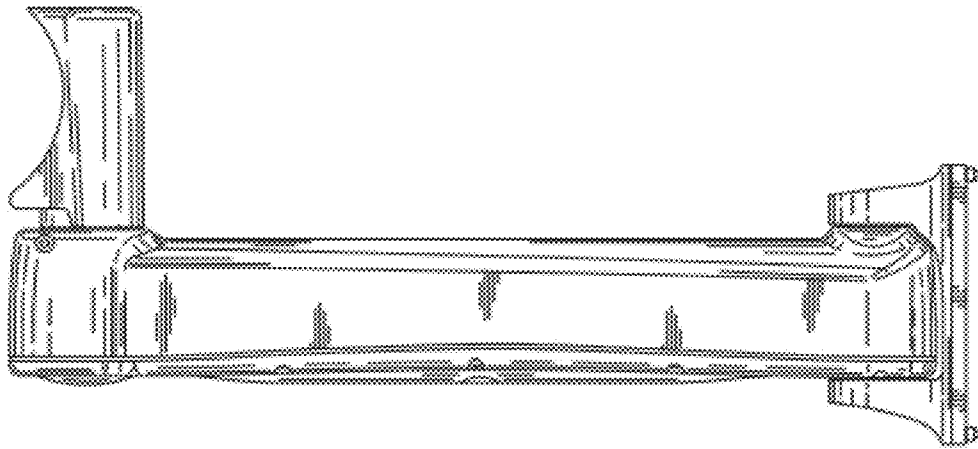


FIG. 4

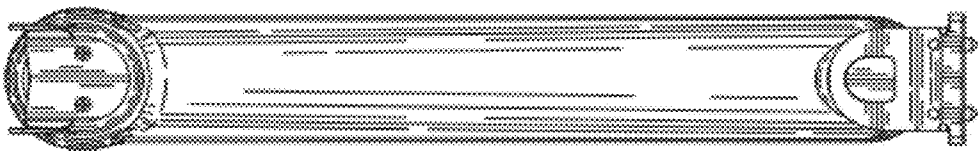


FIG. 5

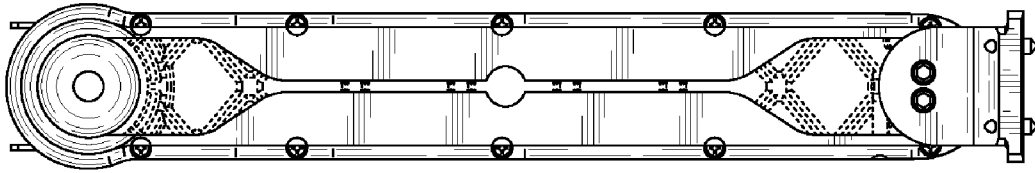


FIG. 6

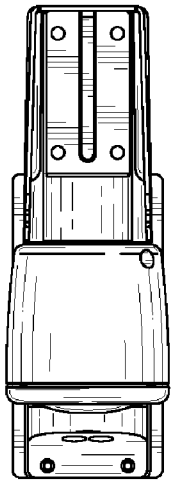


FIG. 7

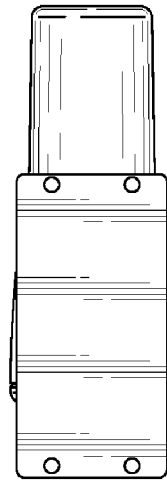


FIG. 8

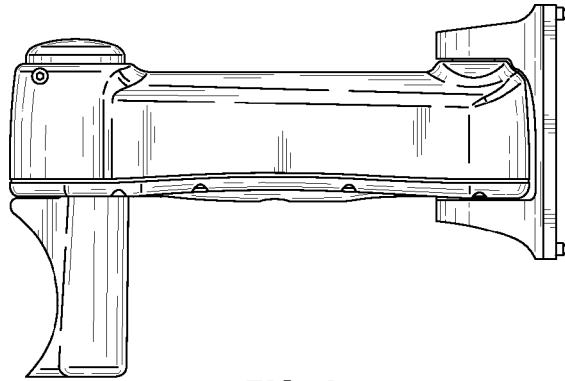


FIG. 9

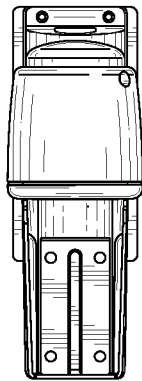


FIG. 10

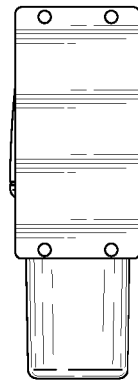


FIG. 11

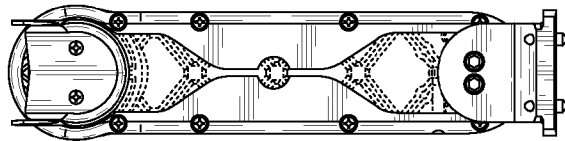


FIG. 12

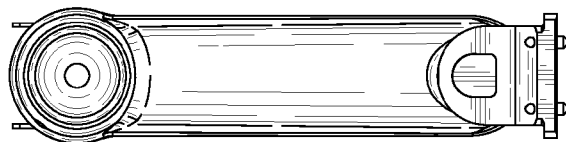


FIG. 13