



US00D982056S

(12) **United States Design Patent**  
**Gurynovich**

(10) **Patent No.:** **US D982,056 S**

(45) **Date of Patent:** **\*\* Mar. 28, 2023**

- (54) **RANGEFINDING BINOCULAR**
- (71) Applicant: **UAB "Yukon Advanced Optics Worldwide", Vilnius (LT)**
- (72) Inventor: **Siarhei Gurynovich, Vilnius (LT)**
- (\*\*) Term: **15 Years**
- (21) Appl. No.: **35/513,478**
- (22) Filed: **Aug. 10, 2021**

D412,177 S *	7/1999	Fujii	.....	D16/133
D448,394 S *	9/2001	Ueda	.....	D16/133
D468,758 S *	1/2003	Nagaoka	.....	D16/133
D518,498 S *	4/2006	Reed	.....	D16/132
D528,139 S *	9/2006	Hwa	.....	D16/133
D579,472 S *	10/2008	Yanagisawa	.....	D16/133
D579,961 S *	11/2008	Tonegawa	.....	D16/133
D671,974 S *	12/2012	Wunnicke	.....	D16/133
9,062,970 B2 *	6/2015	Perger	.....	G02B 7/12

\* cited by examiner

*Primary Examiner* — Richard Kearney  
*Assistant Examiner* — Benjamin M Weeks

- (80) **Hague Agreement Data**  
Int. Filing Date: **Aug. 10, 2021**  
Int. Reg. No.: **DM/218191**  
Int. Reg. Date: **Aug. 10, 2021**  
Int. Reg. Pub. Date: **Jan. 21, 2022**
- (51) **LOC (14) Cl.** ..... **16-06**
- (52) **U.S. Cl.**  
USPC ..... **D16/133**
- (58) **Field of Classification Search**  
USPC ..... D16/130-135, 200, 202-206, 218, 219,  
D16/242; D22/109  
CPC ... G01C 3/00; G01C 3/02; G01C 3/04; G01C  
3/06; G01C 3/08; G01C 3/085; G01C  
3/10; G01C 3/12; G01C 3/16; G01C  
3/18; G01C 3/20; G01C 3/22; G01C  
3/24; G01C 3/26; G01C 3/28; G01C  
3/30; G01C 3/32; F41G 1/16  
See application file for complete search history.

(57) **CLAIM**

The ornamental design for a rangefinding binocular, as shown and described.

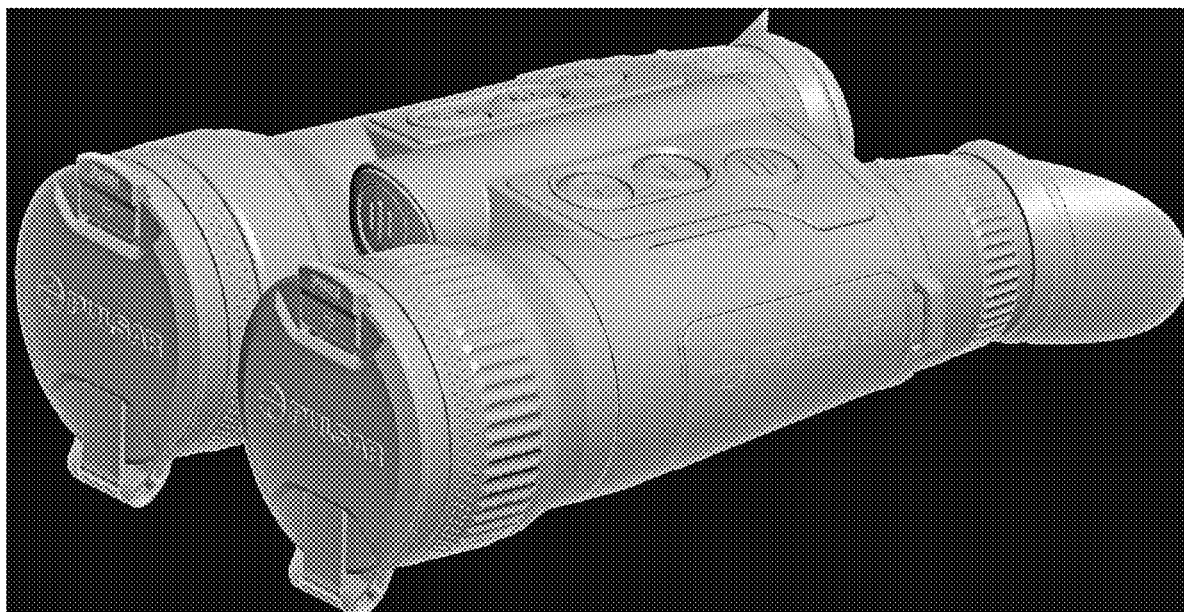
**DESCRIPTION**

The patent or application file contains at least one drawing executed in color. Copies of this patent or patent application publication with color drawing(s) will be provided by the Office upon request and payment of the necessary fee.

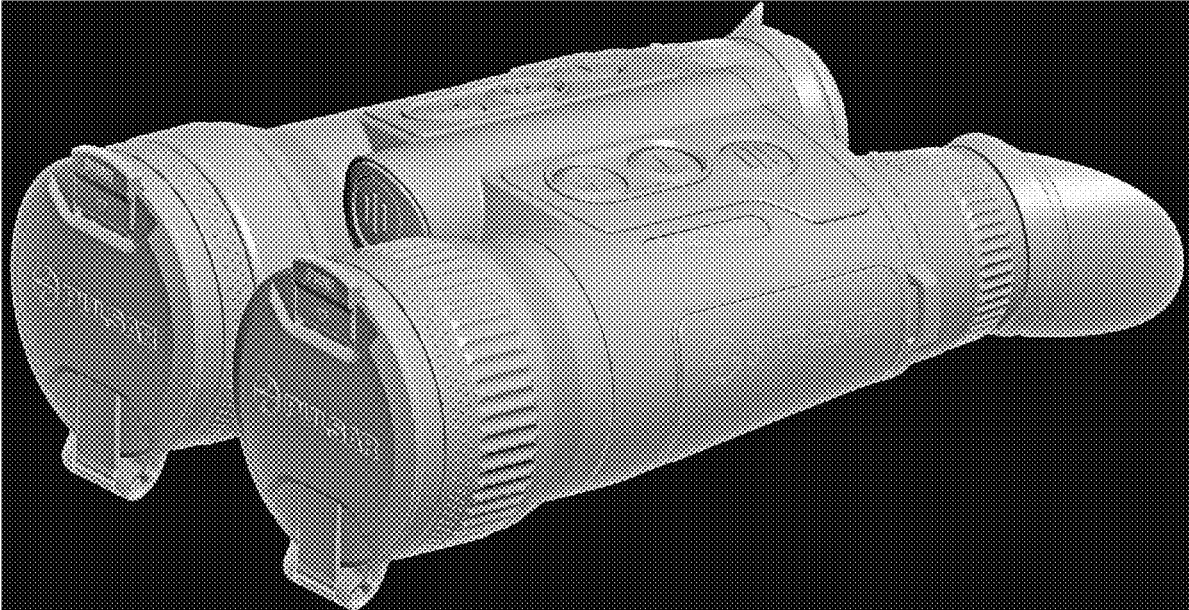
- 1. Rangefinding binocular
  - 1.1 : Perspective
  - 1.2 : Top
  - 1.3 : Bottom
  - 1.4 : Front
  - 1.5 : Back
  - 1.6 : Right
  - 1.7 : Left

- (56) **References Cited**  
U.S. PATENT DOCUMENTS  
2,262,100 A \* 11/1941 French ..... G01C 3/22  
356/22  
2,284,049 A \* 5/1942 French ..... G01C 3/22  
356/22

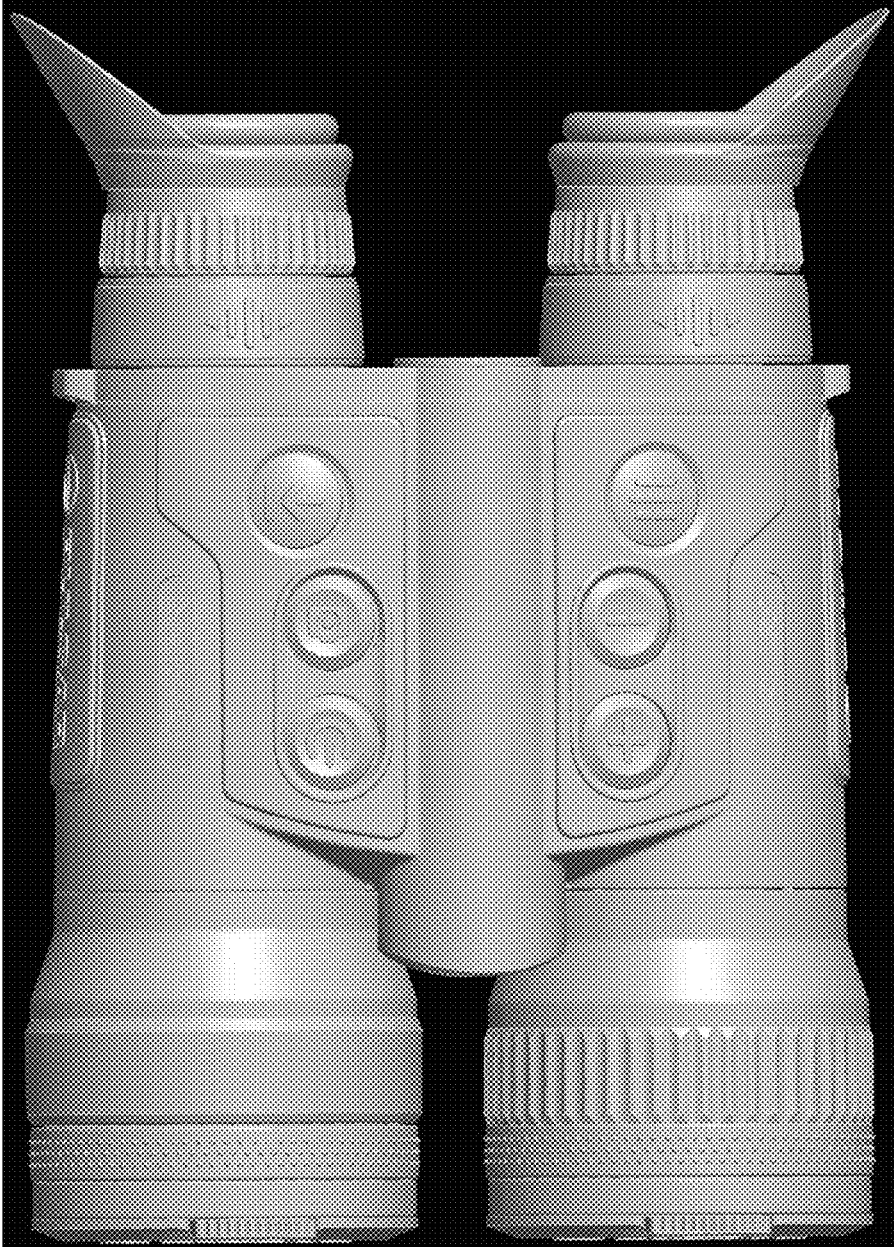
**1 Claim, 7 Drawing Sheets**  
**(7 of 7 Drawing Sheet(s) Filed in Color)**



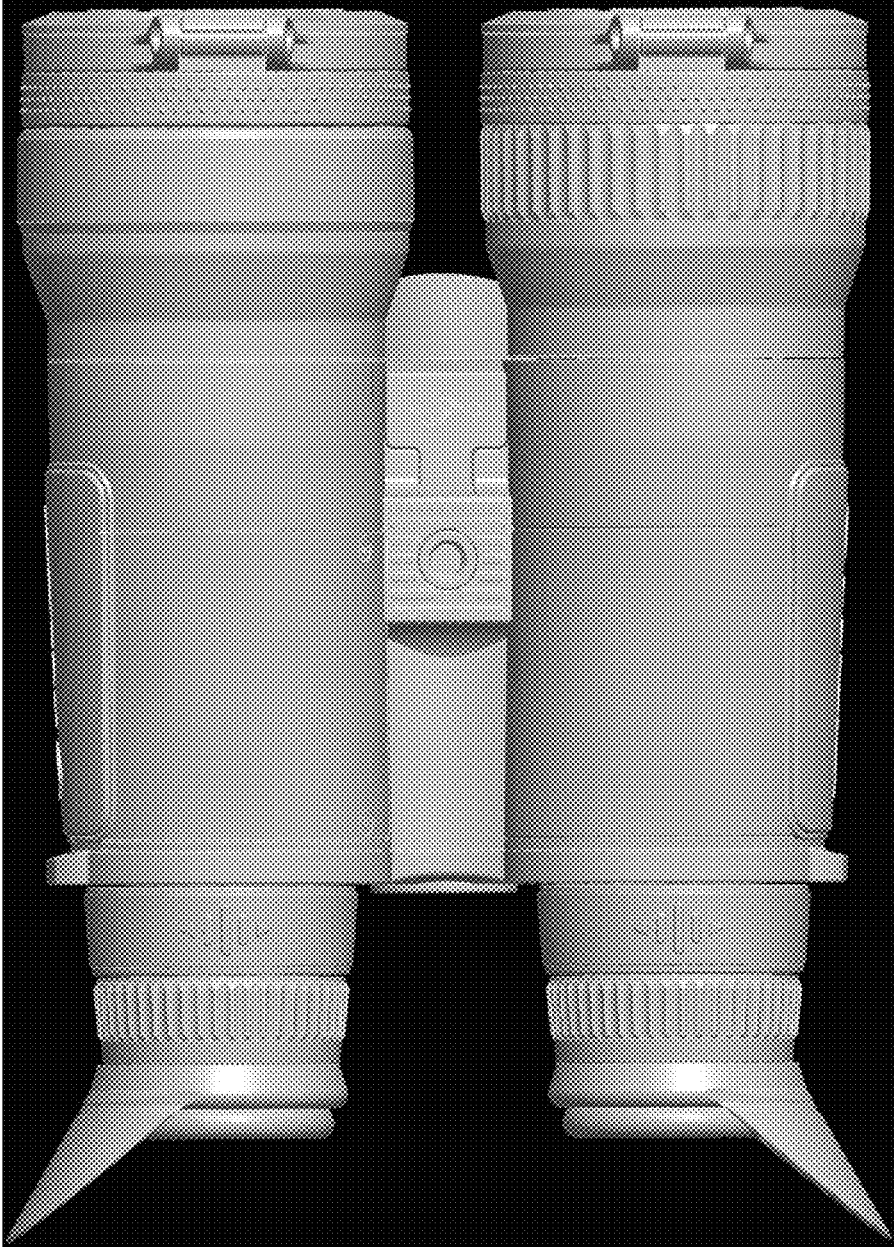
1.1



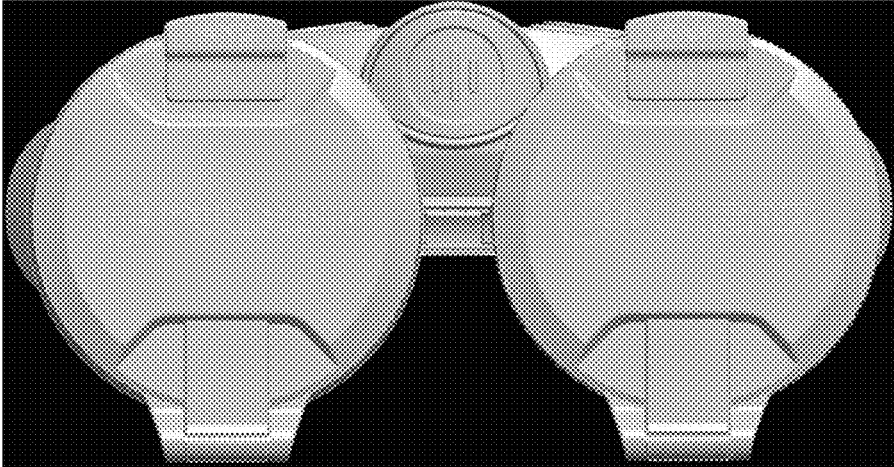
1.2



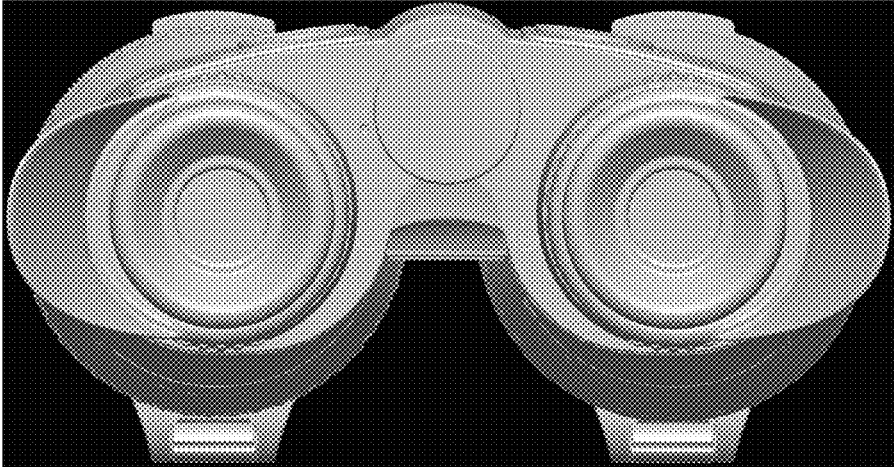
1.3



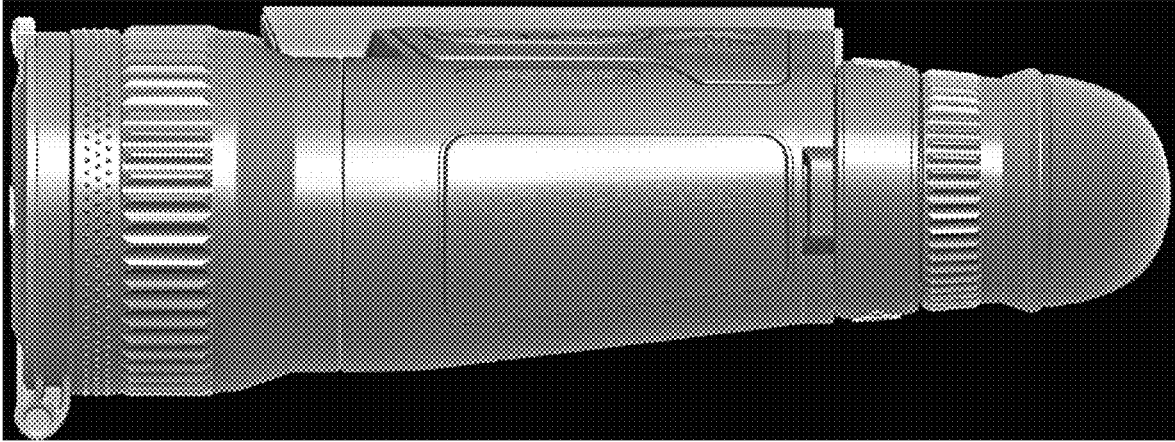
1.4



1.5



1.6



1.7

