



US00D804635S

(12) **United States Design Patent**
Holmes

(10) **Patent No.:** **US D804,635 S**

(45) **Date of Patent:** **** Dec. 5, 2017**

(54) **CEILING FAN**

(71) Applicant: **HUNTER FAN COMPANY,**
Memphis, TN (US)

(72) Inventor: **Christine Holmes,** Memphis, TN (US)

(73) Assignee: **Hunter Fan Company,** Memphis, TN
(US)

(**) Term: **15 Years**

(21) Appl. No.: **29/557,164**

(22) Filed: **Mar. 7, 2016**

(51) **LOC (10) Cl.** **23-04**

(52) **U.S. Cl.**
USPC **D23/377; D26/59**

(58) **Field of Classification Search**
USPC **D23/355, 370-376, 378-387, 412, 414,**
D23/377, 411, 413; D26/59; D12/214
CPC **F04D 25/088; F21V 33/0096**
See application file for complete search history.

(56) **References Cited**

U.S. PATENT DOCUMENTS

D149,133 S *	3/1948	Kisling	D23/377
D328,638 S	8/1992	Hsieh		
D328,951 S	8/1992	Scotfield et al.		
D341,419 S	11/1993	Taylor, III		
D388,871 S	1/1998	Gee, II		
D393,902 S	4/1998	Pickett		
D435,289 S	12/2000	Liu		
D442,275 S	5/2001	Dolan		
D478,654 S	8/2003	Hidalgo		
D483,847 S	12/2003	Tai		
D485,002 S *	1/2004	Lin	D26/85
D489,126 S *	4/2004	Young	D23/411
D504,173 S	4/2005	Cohen		
D517,675 S	3/2006	Young		
D520,633 S *	5/2006	Tai	D23/411
D525,739 S	7/2006	Wu		
D556,930 S	12/2007	Ertze		

D561,325 S *	2/2008	Shirahama	D23/370
D562,972 S *	2/2008	Pickett	D23/411
D583,040 S	12/2008	Hidalgo		
D585,585 S	1/2009	Hidalgo		
D599,474 S	9/2009	Klausung et al.		
D615,184 S	5/2010	Searle		
D619,238 S *	7/2010	Hidalgo	D23/377
D620,101 S	7/2010	Frampton et al.		
D627,873 S	11/2010	Pan		

(Continued)

OTHER PUBLICATIONS

Savoy House, date first available Jan. 23, 2016, amazon.com, site visited Jul. 14, 2017, Copyright © 1996-2017, Available from Internet, https://www.amazon.com/Savoy-House-56-Ceiling-180-5CN-109/dp/B01AYQO9YC/ref=sr_1_1?ie=UTF8&qid=1500053000&sr=8-1&keywords=savoy+house+phoebe.*

(Continued)

Primary Examiner — Cathron C Brooks
Assistant Examiner — Sharon S Oum
(74) *Attorney, Agent, or Firm* — McGarry Bair PC

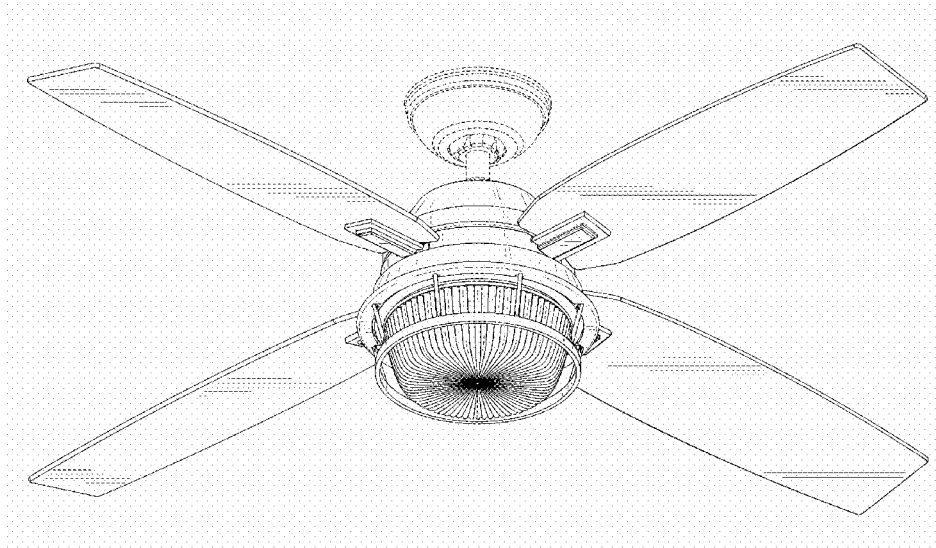
(57) **CLAIM**

The ornamental design for a ceiling fan, as shown and described.

DESCRIPTION

FIG. 1 is a top perspective view of a ceiling fan showing my new design;
FIG. 2 is a bottom perspective view of the ceiling fan of FIG. 1;
FIG. 3 is a top view of the ceiling fan of FIG. 1;
FIG. 4 is a bottom view of the ceiling fan of FIG. 1; and,
FIG. 5 is a front side view of the ceiling fan of FIG. 1, with rear, right, and left side views being mirror images thereof. Portions of the drawings shown in broken lines form no part of the claimed design.

1 Claim, 5 Drawing Sheets



(56)

References Cited

U.S. PATENT DOCUMENTS

D633,194	S	2/2011	Frampton	
D660,952	S *	5/2012	Spaggiari	D23/370
D671,633	S *	11/2012	Glasbrenner	D23/385
D700,984	S	3/2014	Yang	
D704,819	S	5/2014	Wang	
D704,822	S	5/2014	Wang	
D705,922	S	5/2014	Wang	
D707,336	S	6/2014	Pan	
D717,935	S *	11/2014	Strecker	D23/377
D732,157	S	6/2015	Lin et al.	
D771,235	S *	11/2016	Hoff	D23/411
2016/0111816	A1 *	4/2016	Walker	F04D 25/0693 417/423.7

OTHER PUBLICATIONS

<http://www.kichler.com/products/product/54-inch-porters-lake-fan-mdw-310110mdw.aspx>, Item Specification for the Kichler 54 Inch Porters Lake Fan MDW, 310110MDW, accessed Mar. 7, 2016.

<http://www.homedepot.com/p/Hampton-Bay-Sussex-II-52-in-Brushed-Nickel-Ceiling-Fan-AL694-BN/203244867>, Item Specification for the Sussex II 52 in. Brushed Nickel Ceiling Fan, AL695-BN, accessed Mar. 7, 2016.

<http://www.hunterfan.com/Ceiling-Fans/Key-Biscayne?ModelNumber=59135>, Item Specification for the Key Biscayne—54" Ceiling Fan, 59135, accessed Mar. 7, 2016.

<http://www.homedepot.com/p/Hunter-Westcott-52-in-New-Bronze-Ceiling-Fan-21095/202052344>, Item Specification for the Hunter Fan Westcott 52 in. New Bronze Ceiling Fan, 21095, accessed Mar. 7, 2016.

<http://www.quorumlightinglights.com/product/quorum-alta-indoor-ceiling-fans-58524-86.html>, Item Specification for the Quorum International Alta 1 Light Ceiling Fan in Oiled Bronze with Walnut Blades, 58524-86, accessed Mar. 7, 2016.

<http://www.minkagroup.net/all-collections?keys=como>, Item Specification for the Como F603-ORB 54" ceiling fan, F603-ORB, accessed Mar. 7, 2016.

<http://www.fanimation.com/products/index.php/fans/xeno.html>, Item Specification for the Xeno, FP6728, accessed Mar. 7, 2016.

<http://www.craftmade.com/Craftmade-HE52SS5-Stainless-Steel-Ceiling-Fan.HTM>, Craftmade—HE52SS5—Helios 52" Ceiling Fan Blades Included in Stainless Steel, HE52SS5, accessed Mar. 7, 2016.

<http://www.homedepot.com/p/Hampton-Bay-Northport-52-in-Brushed-Nickel-Ceiling-Fan-14926/202790687>, Hampton Bay Northport 52 in. Brushed Nickel Ceiling Fan, 14926, accessed Mar. 7, 2016.

<http://www.kingoffans.com/#/products/ceilingFans>, Argenta 52" ceiling fan, 61615, accessed Mar. 7, 2016.

http://ceilingfans.emerson.com/shop/en/fan/highrise-fan-p-cf430?cm_vc=&testElementId=&experimentId=, Highrise ceiling fan, CF430ORB, accessed Mar. 7, 2016.

<http://www.minkagroup.net/all-collections?keys=F695-CC+>, Kafe 52" ceiling fan, F695-CC, accessed Mar. 7, 2016.

<http://www.casablancafanco.com/Ceiling-Fans/Tribeca?ModelNumber=59499>, Tribeca 52" Ceiling Fan, 59499, accessed Mar. 7, 2016.

<http://www.homedepot.com/p/GE-Treviso-52-in-Oil-Rubbed-Bronze-Indoor-LED-Ceiling-Fan-20321/206087472>, Treviso 52 in. Oil Rubbed Bronze Indoor LED Ceiling Fan, 20321, accessed Mar. 7, 2016.

<http://www.kichler.com/products/product/60-terra-select-ceiling-fan-bap-330250bap.aspx>, Terra Select Collection 60" Terra Select Ceiling Fan BAP, 330250BAP, accessed Mar. 7, 2016.

<http://www.kingoffans.com/#/products/ceilingFans>, North ceiling fan, 51546, accessed Mar. 7, 2016.

<http://www.craftmade.com/Craftmade-MOR54ESP3-Espresso-Ceiling-Fan.HTM>, Craftmade—MOR54ESP3—Moorestad 54" Ceiling Fan Blades Included in Espresso with Matte Opal Glass, MOR54ESP3, accessed Mar. 7, 2016.

<http://ceilingfans.emerson.com/shop/en/fan/fans-s-emerson-fans/emerson-fans-browse-all/amhurst-fan-p-cf880>, Amhurst, CF880BS, accessed Mar. 7, 2016.

<http://www.kingoffans.com/#/products/ceilingFans>, Riverwalk ceiling fan, 43247, accessed Mar. 7, 2016.

* cited by examiner

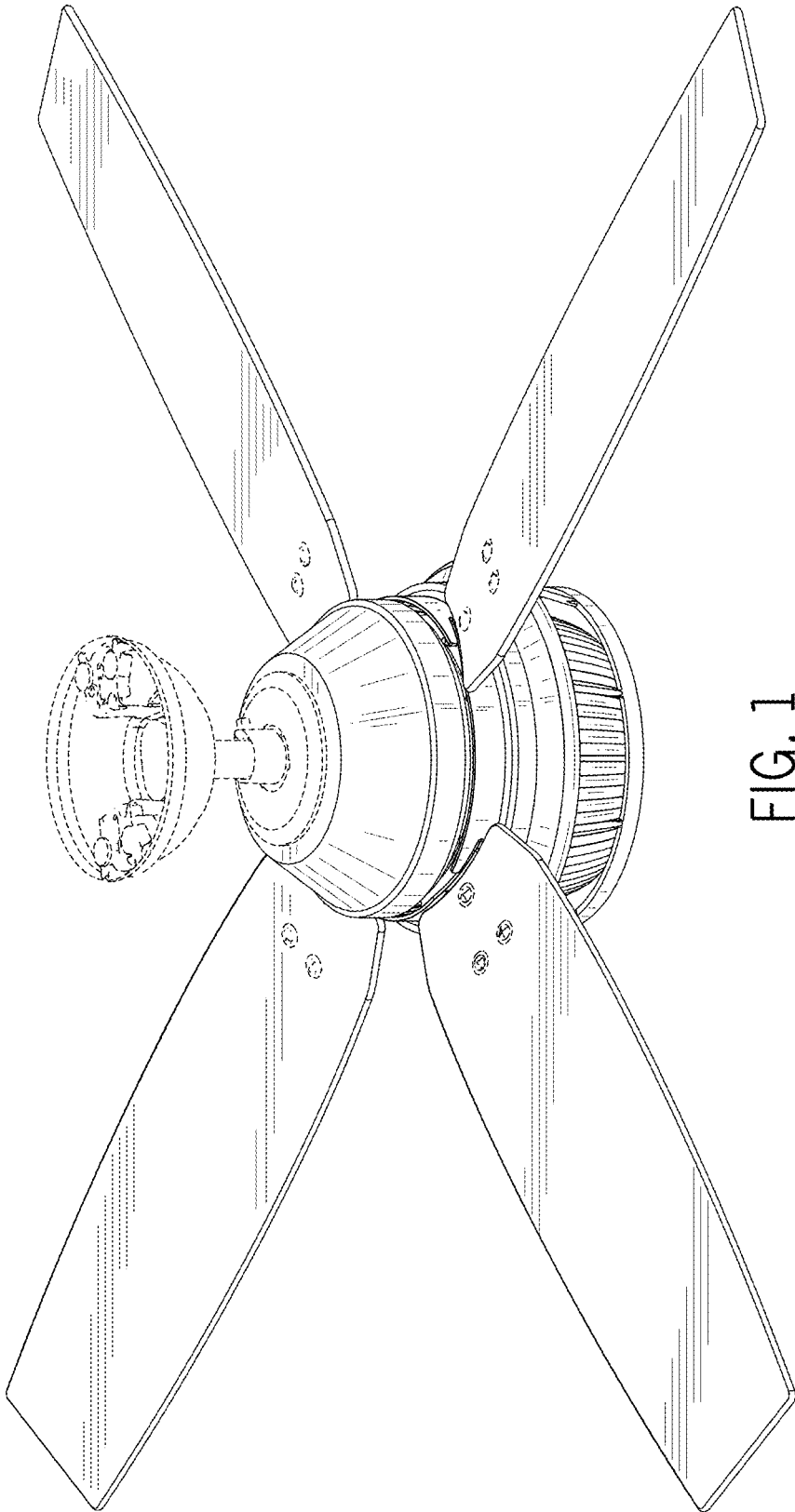


FIG. 1

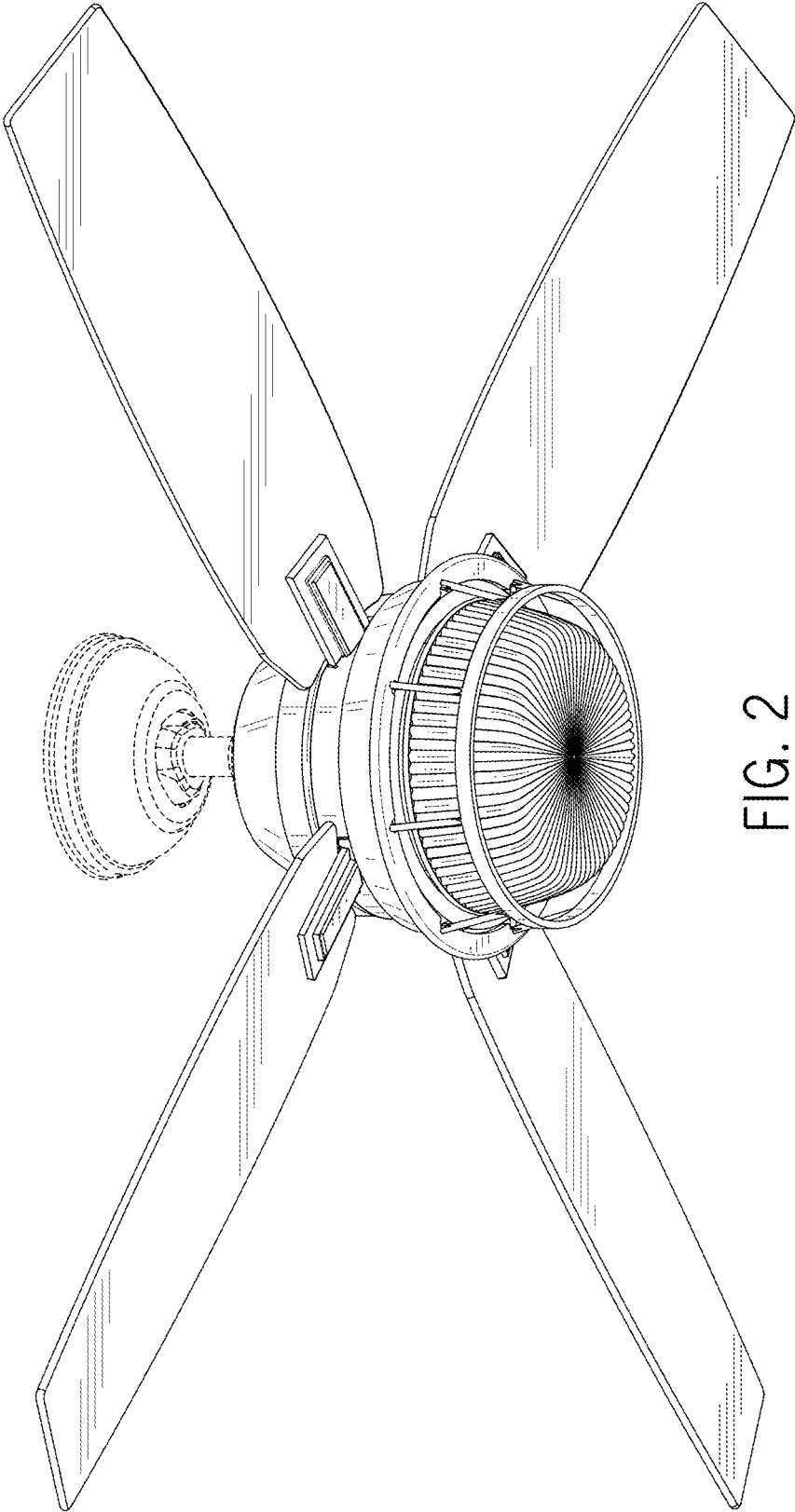


FIG. 2

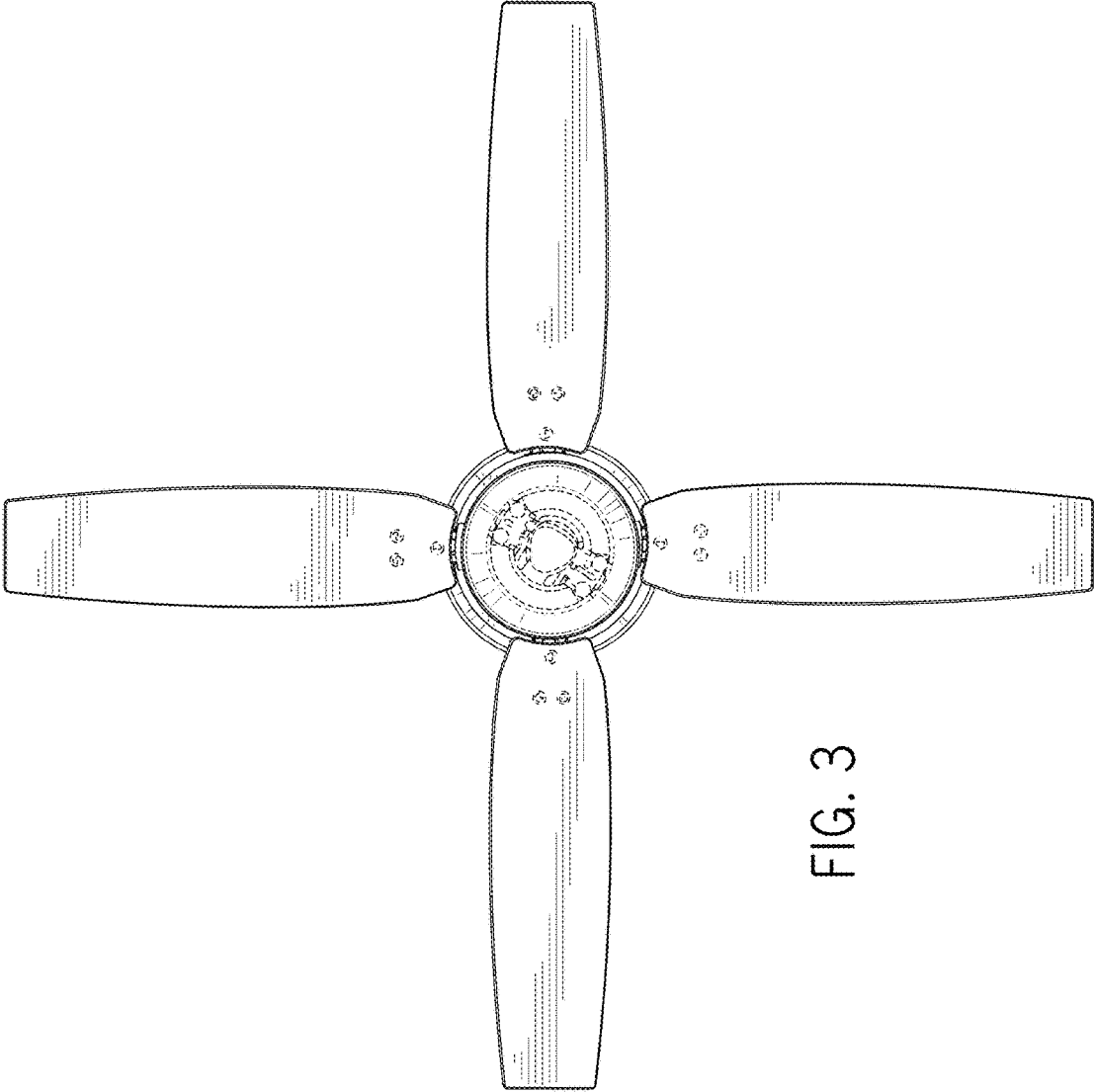


FIG. 3

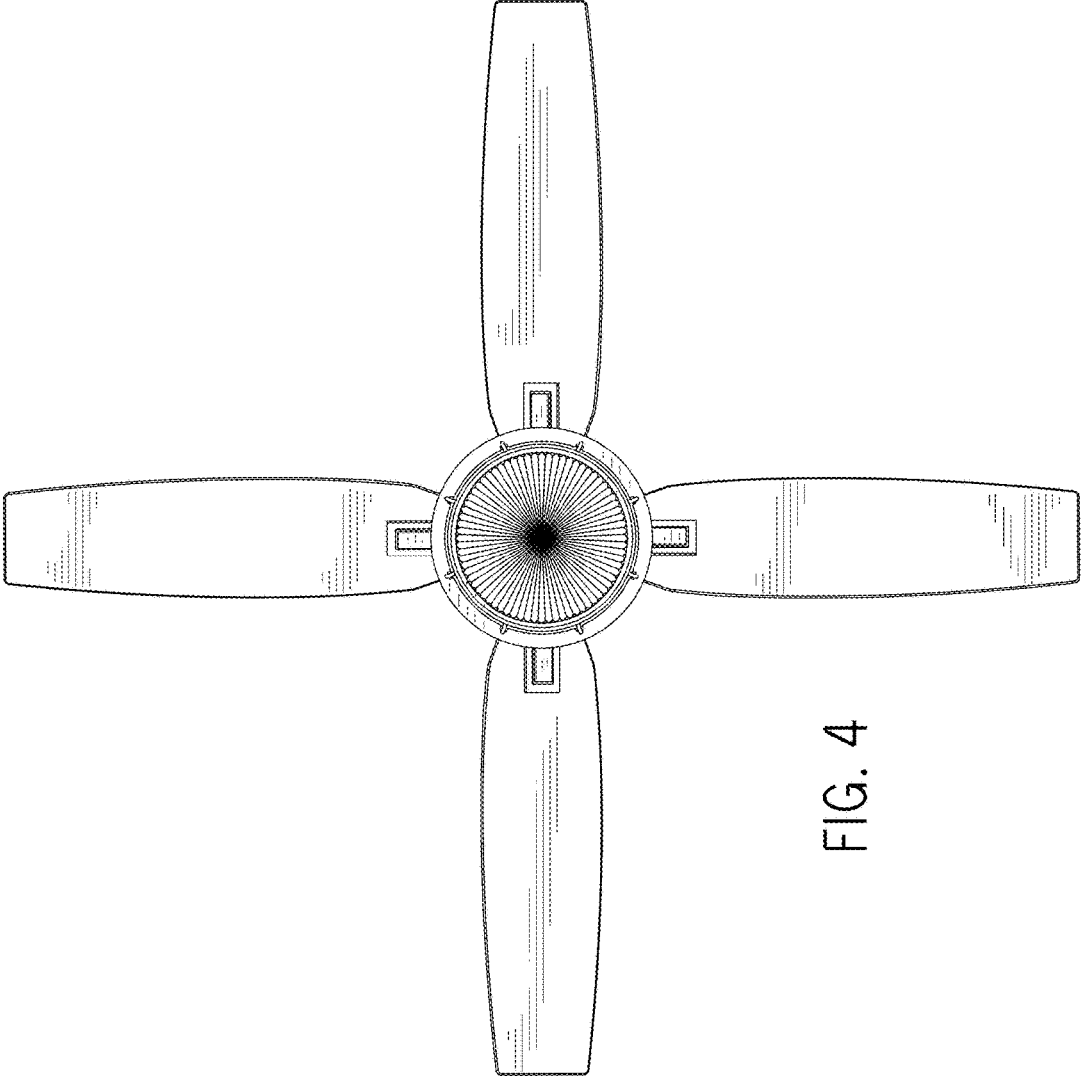


FIG. 4

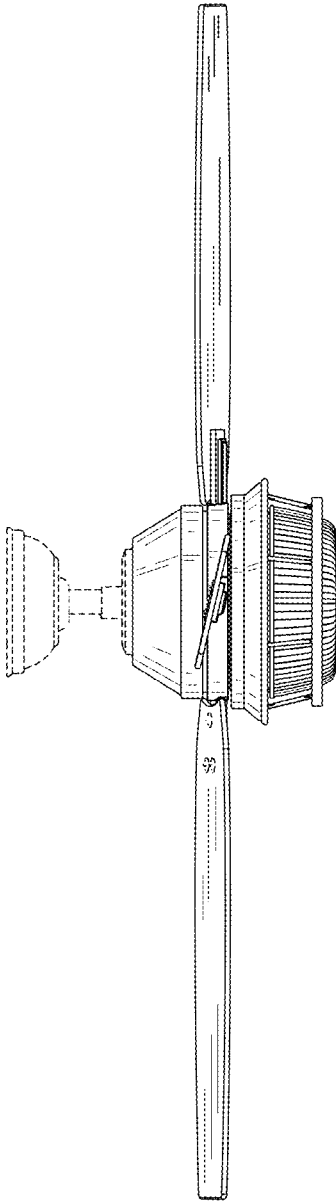


FIG. 5