



US0D1029790S

(12) **United States Design Patent** (10) **Patent No.:** **US D1,029,790 S**  
**Levine et al.** (45) **Date of Patent:** **\*\* Jun. 4, 2024**

(54) **HEADSET**  
(71) Applicant: **New Audio LLC**, New York, NY (US)  
(72) Inventors: **Jonathan E. Levine**, New York, NY (US); **Thomas C. Wilson**, Brooklyn, NY (US); **Marten Wallby**, Malmo (SE)  
(73) Assignee: **New Audio LLC**, New York, NY (US)  
(\*\*) Term: **15 Years**  
(21) Appl. No.: **29/867,638**  
(22) Filed: **Nov. 1, 2022**

3,797,045 A 3/1974 Aho  
3,922,725 A 12/1975 Csiki et al.  
D250,761 S 1/1979 Vong  
D262,019 S 11/1981 Upshaw  
4,439,645 A 3/1984 Scalzo  
5,035,005 A 7/1991 Hung  
D328,461 S 8/1992 Daido et al.  
D345,163 S 3/1994 Yamatogi  
5,438,626 A 8/1995 Neuman et al.  
5,809,573 A \* 9/1998 Bary ..... A61F 7/03  
2/209  
D410,466 S 6/1999 Mouri  
D420,356 S 2/2000 Suzuki  
6,081,604 A 6/2000 Hikichi et al.  
(Continued)

**Related U.S. Application Data**

(62) Division of application No. 29/830,948, filed on Mar. 16, 2022, now Pat. No. Des. 971,876, which is a division of application No. 29/812,611, filed on Oct. 22, 2021, now Pat. No. Des. 949,825, which is a division of application No. 29/781,979, filed on May 3, 2021, now Pat. No. Des. 937,242, which is a division of application No. 29/694,702, filed on Jun. 12, 2019, now Pat. No. Des. 920,956.

(51) **LOC (14) Cl.** ..... **14-01**  
(52) **U.S. Cl.**  
USPC ..... **D14/206**

(58) **Field of Classification Search**  
USPC ..... D14/206, 205, 219; D29/112; 2/209; 381/380-381, 374  
CPC ..... H04R 25/00; H04R 25/02; H04R 1/1066; H04R 1/1016; H04R 5/033; H04R 5/0335; H04R 1/10; H04R 1/1008; H04R 1/1041; H04R 1/1075; A61F 11/14; H04M 1/00  
See application file for complete search history.

(56) **References Cited**

**U.S. PATENT DOCUMENTS**

1,988,880 A 1/1935 Strouse  
3,454,964 A 7/1969 Brinkhoff

**FOREIGN PATENT DOCUMENTS**

EM 004136489-0004 8/2017  
EM 007370648-0005 \* 12/2019  
(Continued)

*Primary Examiner* — Paula Allen Greene  
(74) *Attorney, Agent, or Firm* — Holzer Patel Drennan

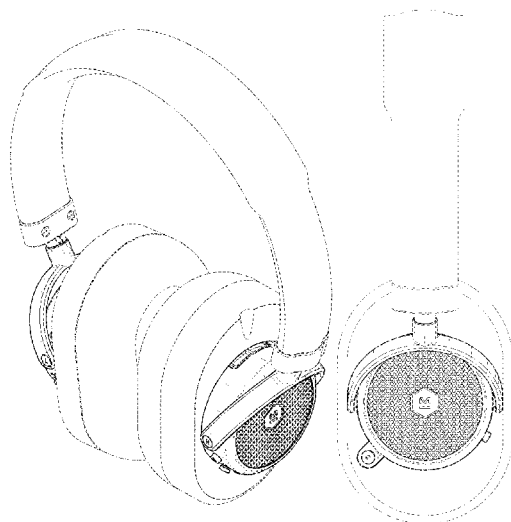
(57) **CLAIM**

The ornamental design for a headset, as shown and described.

**DESCRIPTION**

FIG. 1 is a perspective view of a headset showing our new design, as viewed from the top and front.  
FIG. 2 is a front elevational view thereof.  
FIG. 3 is a back elevational view thereof.  
FIG. 4 is a first side elevational view thereof.  
FIG. 5 is a second side elevational view thereof.  
FIG. 6 is a top plan view thereof; and,  
FIG. 7 is a bottom plan view thereof.  
The broken lines depict portions of the headset that forms no part of the claimed design.

**1 Claim, 5 Drawing Sheets**



(56)

References Cited

U.S. PATENT DOCUMENTS

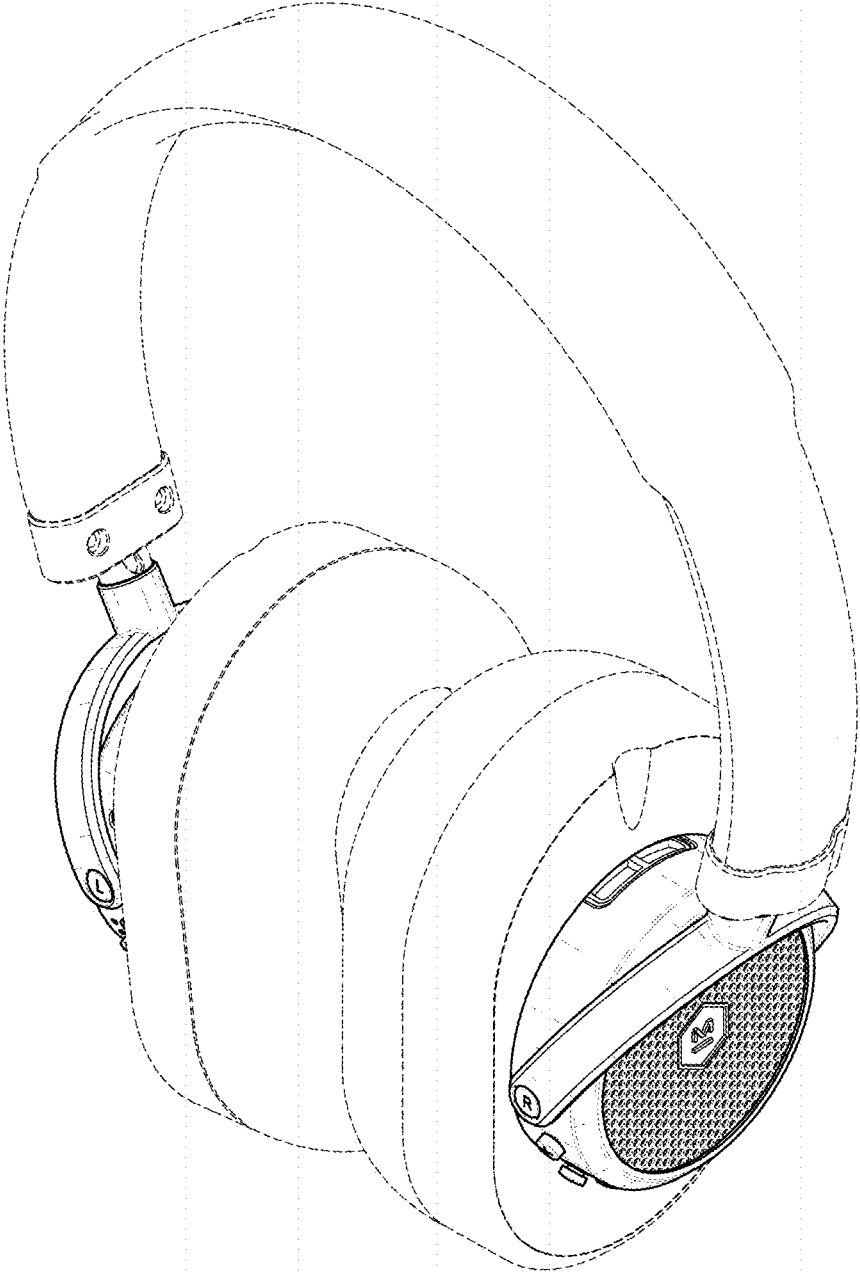
D435,249 S \* 12/2000 Yasutomi ..... D14/205  
 6,263,085 B1 7/2001 Weffer  
 D482,675 S 11/2003 Carbone  
 D484,485 S 12/2003 Matsuoka  
 D508,483 S \* 8/2005 Suzuki ..... D14/223  
 6,980,165 B2 12/2005 Yuasa et al.  
 D514,087 S 1/2006 Wilson et al.  
 D567,215 S \* 4/2008 Lee ..... D14/205  
 7,388,960 B2 \* 6/2008 Kuo ..... H04R 5/02  
 381/384  
 D604,266 S 11/2009 Milde et al.  
 D639,776 S 6/2011 Arimoto  
 D642,554 S 8/2011 Schaal et al.  
 D650,356 S 12/2011 Alden et al.  
 D662,080 S 6/2012 Carr et al.  
 8,325,962 B2 12/2012 Ishida et al.  
 D695,261 S \* 12/2013 Katsumata ..... D14/205  
 8,737,668 B1 5/2014 Blair et al.  
 D713,384 S 9/2014 McNamara  
 D727,280 S 4/2015 Levine  
 D727,281 S 4/2015 Levine  
 D727,289 S 4/2015 Czaniecki  
 D728,512 S 5/2015 Nakagawa  
 9,036,849 B2 5/2015 Thompson et al.  
 D736,174 S 8/2015 Levine  
 D736,175 S 8/2015 Levine  
 D746,790 S 1/2016 Strasberg et al.  
 D762,190 S 7/2016 Levine  
 D762,191 S 7/2016 Levine  
 D768,110 S 10/2016 Suzuki  
 D772,841 S 11/2016 Levine  
 D776,081 S 1/2017 Willman  
 D781,265 S 3/2017 Levine et al.  
 D781,814 S 3/2017 Levine  
 D781,979 S 3/2017 Lin  
 D786,824 S \* 5/2017 Hembrey ..... D14/205  
 D789,327 S 6/2017 Miyake et al.  
 9,729,954 B2 8/2017 Levine et al.  
 D800,691 S 10/2017 Ando et al.  
 D805,056 S 12/2017 Levine  
 D811,365 S 2/2018 Czaniecki  
 D812,588 S \* 3/2018 Levine ..... D14/225  
 D813,194 S 3/2018 Loh et al.  
 D826,895 S 8/2018 Sharp et al.  
 D832,811 S 11/2018 Levine et al.  
 D832,813 S \* 11/2018 Levine ..... D14/205  
 D851,627 S 6/2019 Laag et al.  
 D852,163 S 6/2019 Nagamine et al.  
 D852,166 S 6/2019 Levine  
 10,327,057 B2 6/2019 Levine et al.  
 D857,654 S 8/2019 Levine  
 D859,354 S 9/2019 Xia  
 D859,356 S \* 9/2019 Hu ..... D14/205

D865,706 S 11/2019 Li et al.  
 D877,714 S 3/2020 Dhondt et al.  
 D878,327 S 3/2020 Dhondt et al.  
 D878,329 S 3/2020 Levine et al.  
 D879,741 S \* 3/2020 Hu ..... D14/205  
 D893,453 S 8/2020 Levine et al.  
 D900,783 S 11/2020 Levine  
 D905,003 S 12/2020 Ohmachi  
 D905,005 S 12/2020 Liu  
 D905,658 S 12/2020 Levine  
 D917,420 S \* 4/2021 Zheng ..... D14/205  
 D920,283 S 5/2021 Levine et al.  
 D920,956 S \* 6/2021 Levine ..... D14/206  
 D928,117 S 8/2021 Levine et al.  
 D937,242 S \* 11/2021 Levine ..... D14/205  
 D947,153 S \* 3/2022 He ..... D14/206  
 D949,825 S \* 4/2022 Levine ..... D14/205  
 D968,366 S \* 11/2022 Liu ..... D14/206  
 D971,876 S \* 12/2022 Levine ..... D14/205  
 D995,476 S \* 8/2023 Zheng ..... D14/206  
 D1,000,410 S \* 10/2023 Zheng ..... D14/206  
 2003/0210801 A1 11/2003 Naksen et al.  
 2004/0216946 A1 11/2004 Lenhard-Backhaus  
 2005/0053255 A1 3/2005 Harris et al.  
 2005/0238189 A1 10/2005 Tsai  
 2005/0266875 A1 12/2005 Yegin et al.  
 2008/0056525 A1 3/2008 Fujiwara et al.  
 2008/0175406 A1 7/2008 Smith  
 2009/0003616 A1 1/2009 Kleinschmidt et al.  
 2010/0177907 A1 7/2010 Morisawa  
 2012/0093334 A1 4/2012 Schreuder et al.  
 2014/0105414 A1 4/2014 Rois et al.  
 2016/0079660 A1 3/2016 Bevelacqua  
 2016/0205461 A1 7/2016 Fernandez-Medina et al.  
 2017/0041697 A1 \* 2/2017 Levine ..... H04R 1/1066  
 2017/0295420 A1 10/2017 Yeung et al.  
 2018/0020277 A1 \* 1/2018 Briggs ..... H01Q 9/065  
 2019/0156814 A1 9/2019 Eguchi et al.  
 2021/0377661 A1 \* 12/2021 Kwun ..... H04R 1/1008  
 2022/0225007 A1 \* 7/2022 Mehandjiysky .... F21V 33/0056

FOREIGN PATENT DOCUMENTS

EM 008023345-0002 6/2020  
 GB 8008028526-0002 7/2020  
 HK 1600209-0001 2/2016  
 JP 2013078014 A 4/2013  
 JP 2015026948 A 2/2015  
 JP D1666731 8/2020  
 JP D1666731 S 8/2020  
 JP 1668811 9/2020  
 JP D1668810 9/2020  
 JP D1683717 3/2021  
 WO D089598-005 \* 2/2016

\* cited by examiner



*FIG. 1*

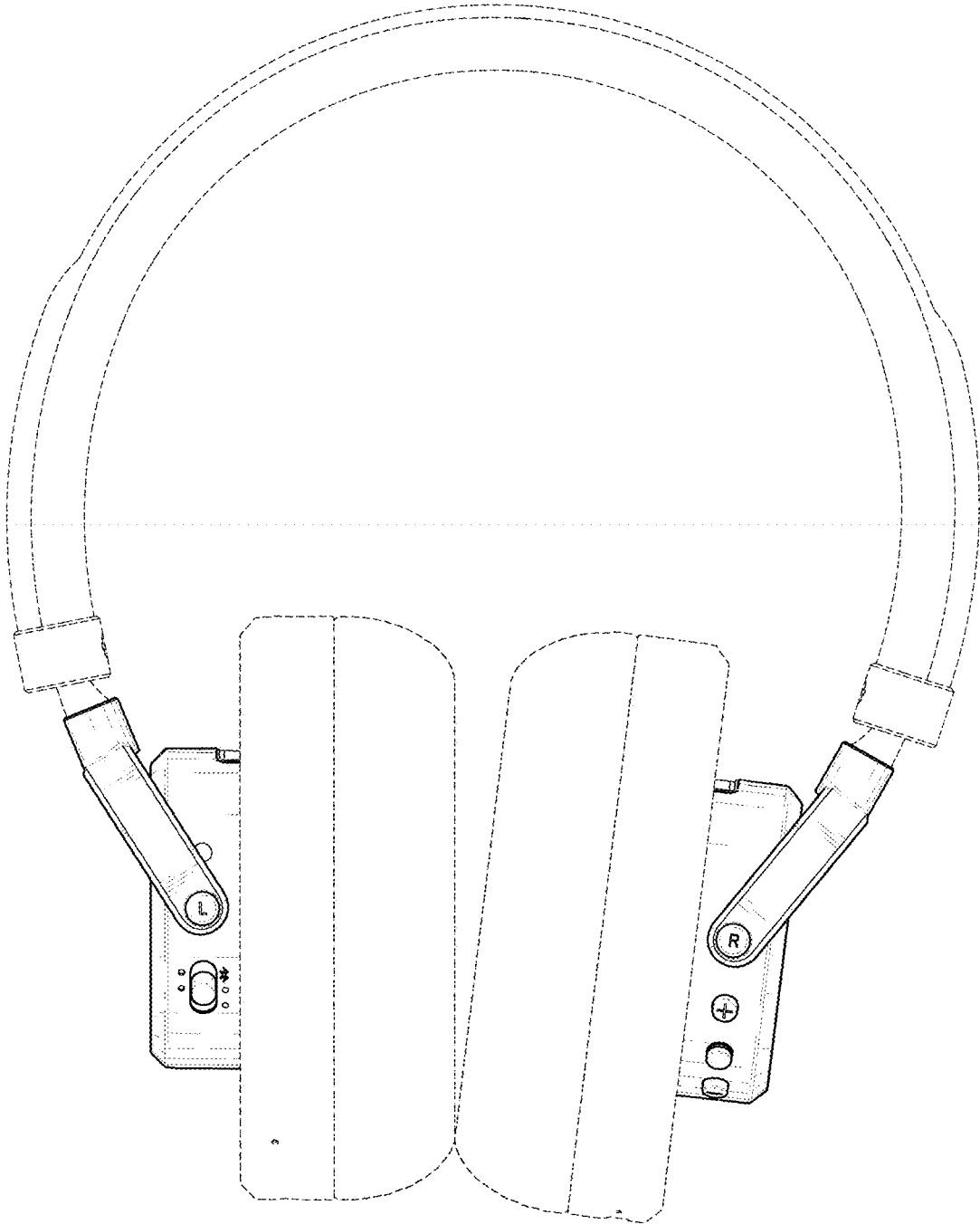
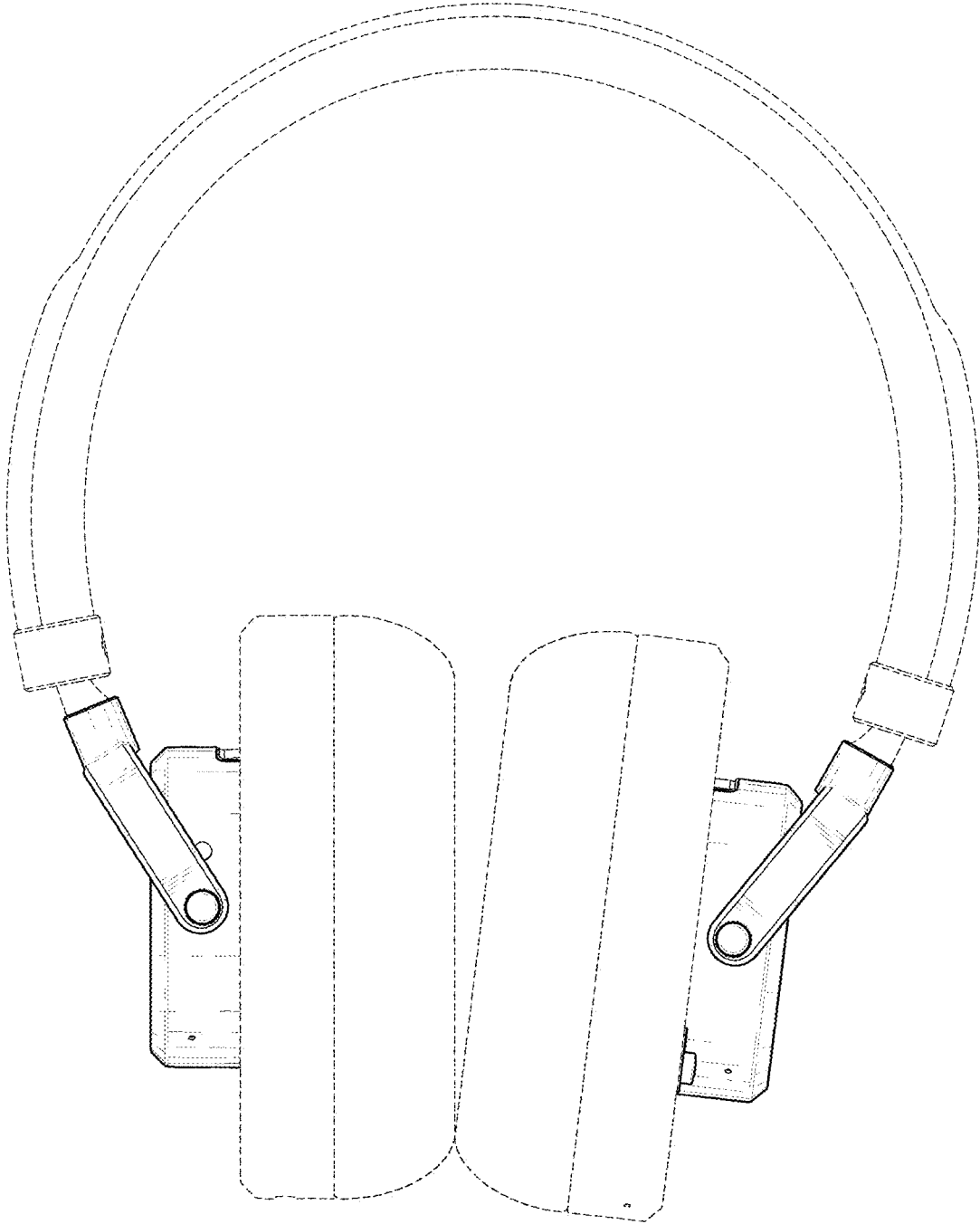
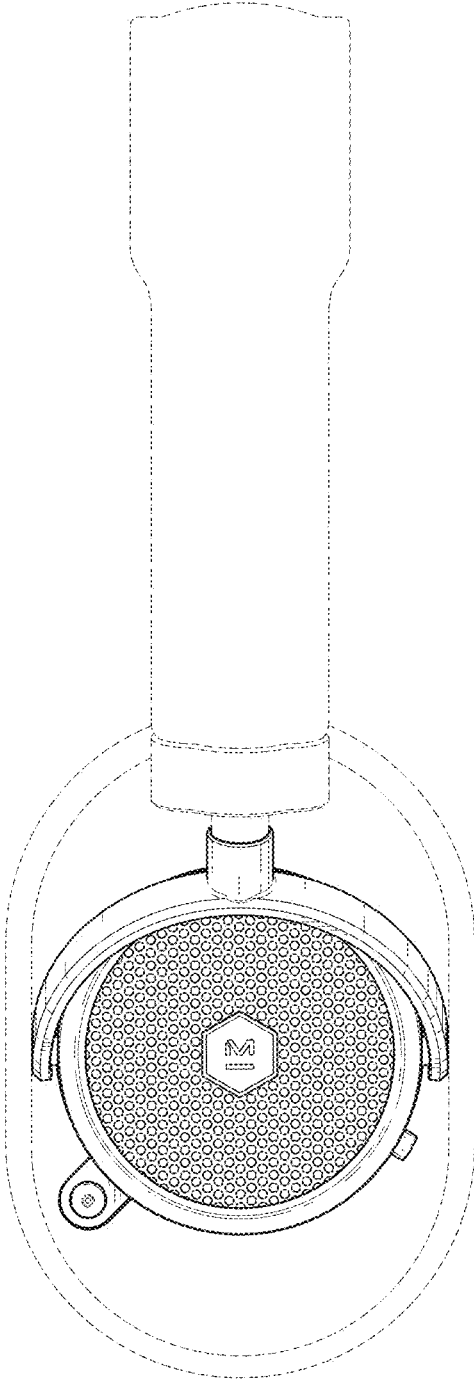


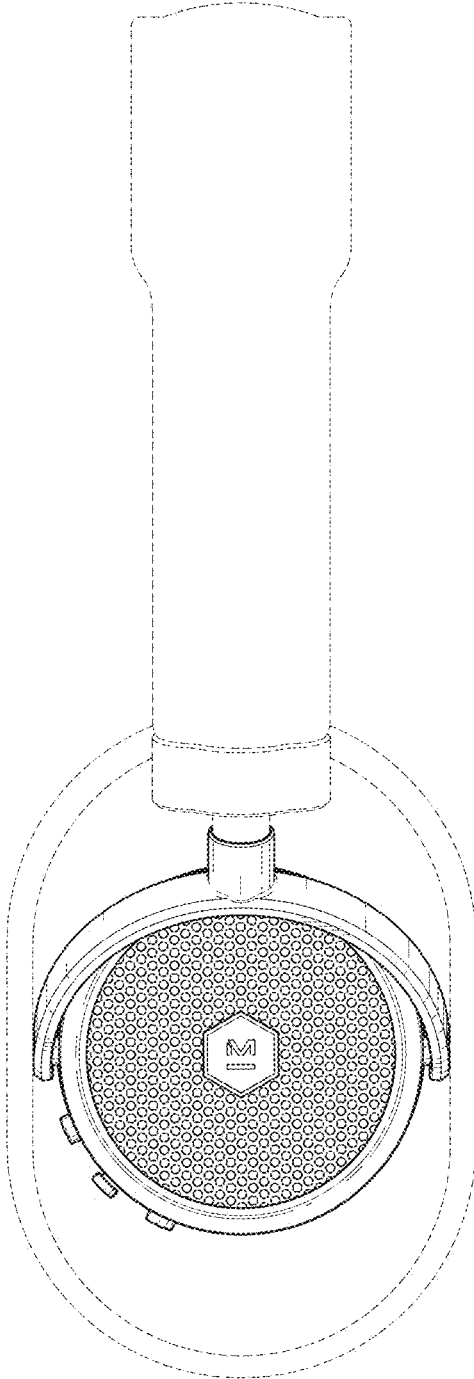
FIG. 2



*FIG. 3*



*FIG. 4*



*FIG. 5*

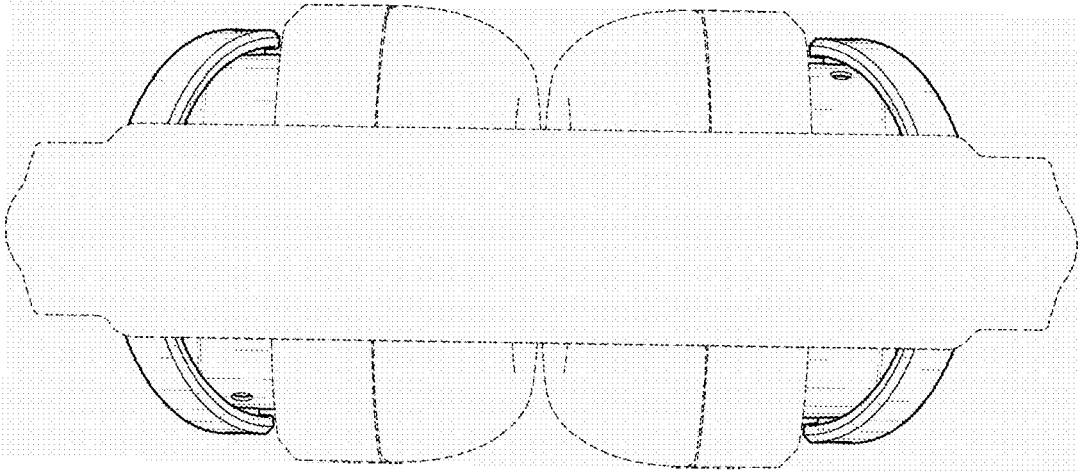


FIG. 6

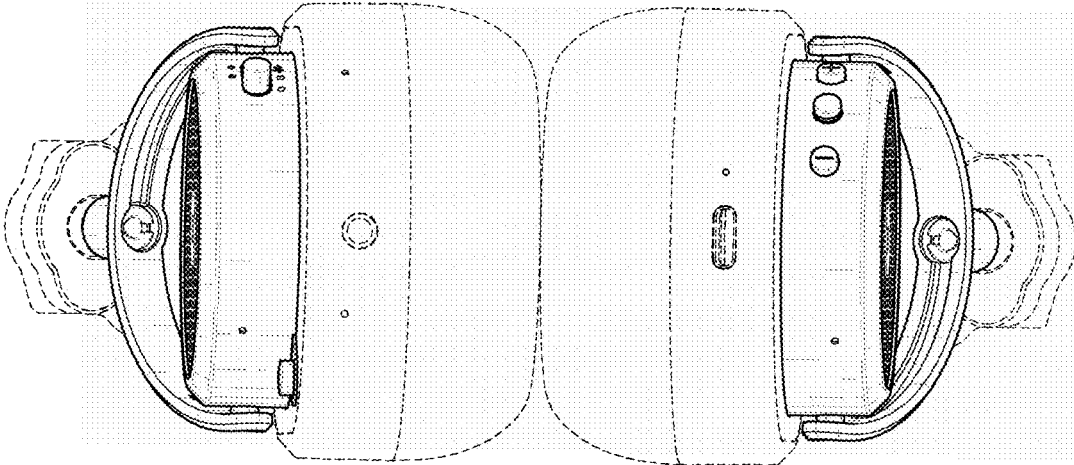


FIG. 7