



US00D895876S

(12) **United States Design Patent**  
**Tang**

(10) **Patent No.:** **US D895,876 S**

(45) **Date of Patent:** **\*\* Sep. 8, 2020**

(54) **LAMP**

(71) Applicant: **Shenzhen JinDian Electronic Technology Co., Ltd., Shenzhen (CN)**

(72) Inventor: **Shifu Tang, Shenzhen (CN)**

(\*\*) Term: **15 Years**

(21) Appl. No.: **29/696,845**

(22) Filed: **Jul. 1, 2019**

(51) **LOC (12) Cl.** ..... **26-05**

(52) **U.S. Cl.**  
USPC ..... **D26/67**

(58) **Field of Classification Search**  
USPC ..... D10/111-115; D20/17; D26/10, 11, 12, D26/31, 51, 60, 61, 63-71, 92, 93  
CPC .. F21S 8/003; F21S 8/006; F21S 8/081; F21S 8/083; F21S 9/03; F21S 9/032; F21S 9/035; F21S 9/037; F21S 10/005; G09F 2013/0495; G09F 2013/0404; G09F 2013/02  
See application file for complete search history.

(56) **References Cited**

**U.S. PATENT DOCUMENTS**

D251,148 S *	2/1979	Young	.....	D16/239
D400,996 S *	11/1998	Tang	.....	D26/63
D615,688 S *	5/2010	Chen	.....	D26/68
D647,234 S *	10/2011	Izardel	.....	D26/65
D703,859 S *	4/2014	Sabernig	.....	D26/83
D762,903 S *	8/2016	Tsai	.....	D26/67

D764,694 S *	8/2016	Tsai	.....	D26/67
D797,975 S *	9/2017	Lentine	.....	D26/67
D837,431 S *	1/2019	Peng	.....	D26/63
D841,858 S *	2/2019	Deng	.....	D26/68
D848,045 S *	5/2019	Liao	.....	D26/63
D881,433 S *	4/2020	Chen	.....	D26/67
2007/0084500 A1 *	4/2007	Chen	.....	F21V 21/0824 136/244

\* cited by examiner

*Primary Examiner* — Kevin K Rudzinski

*Assistant Examiner* — Richard Kearney

(74) *Attorney, Agent, or Firm* — HYIP

(57) **CLAIM**

The ornamental design for a lamp, as shown and described.

**DESCRIPTION**

FIG. 1 is a top perspective view of a lamp showing my new design;

FIG. 2 is a bottom perspective view thereof;

FIG. 3 is a front view thereof;

FIG. 4 is a back view thereof;

FIG. 5 is a left side view thereof;

FIG. 6 is a right side view thereof;

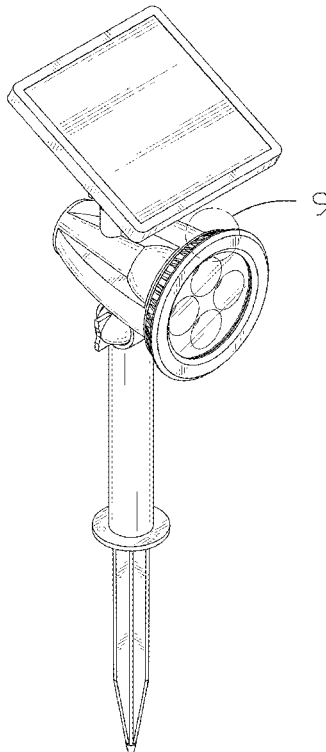
FIG. 7 is a top view thereof;

FIG. 8 is a bottom view thereof;

FIG. 9 is an enlarged view of a portion shown in FIGS. 1; and,

FIG. 10 is an enlarged view of a portion shown in FIG. 5. The broken lines in the figures illustrate portions of the lamp that form no part of the claimed design.

**1 Claim, 10 Drawing Sheets**



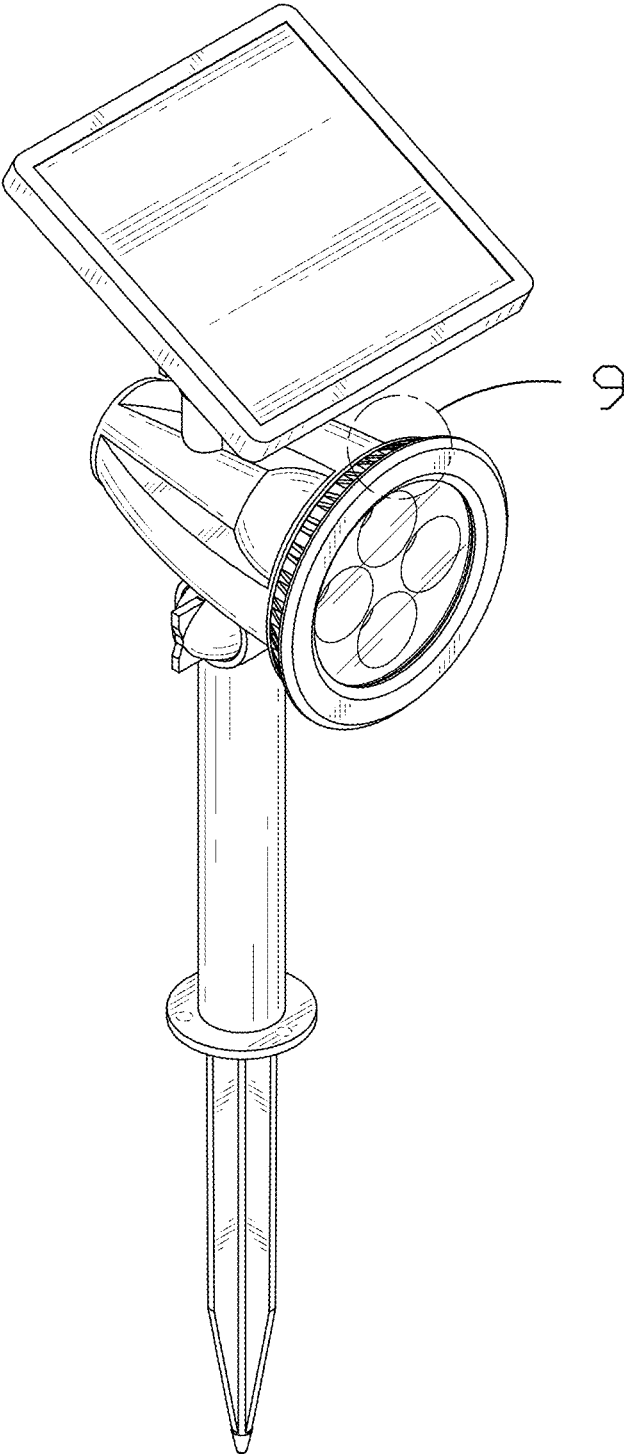


FIG. 1

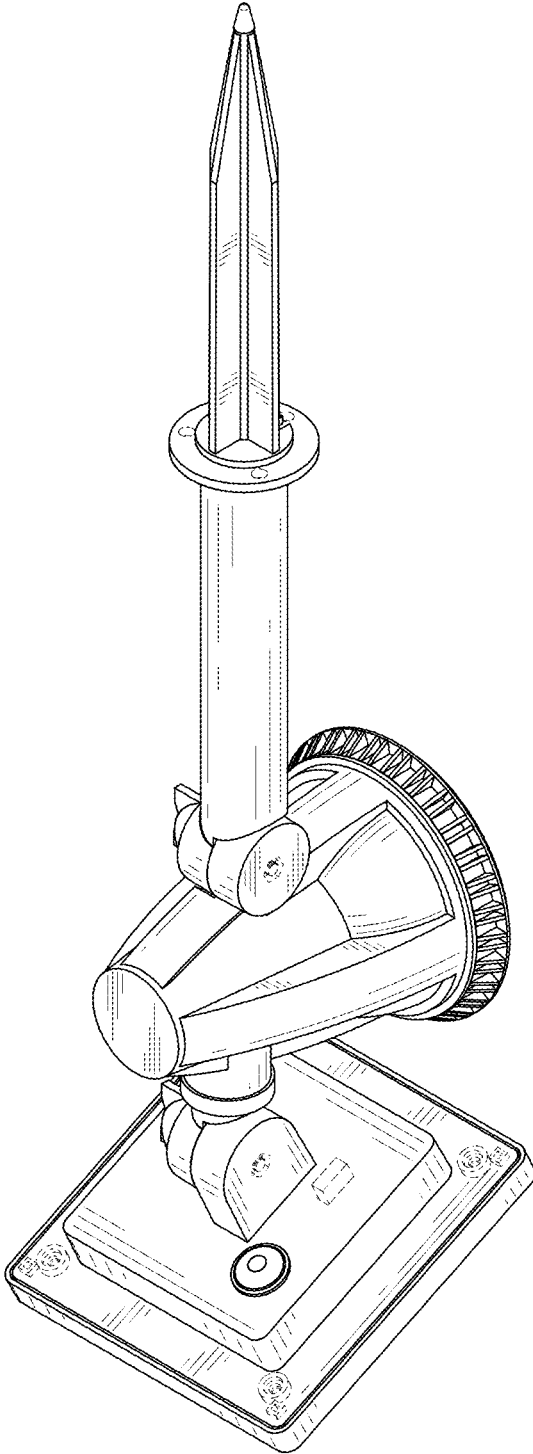


FIG. 2

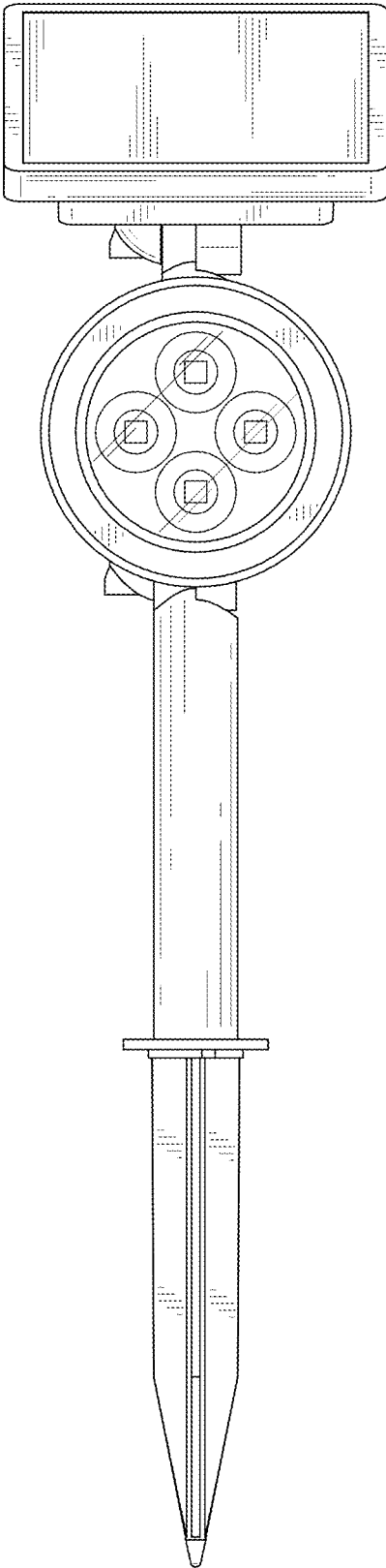


FIG. 3

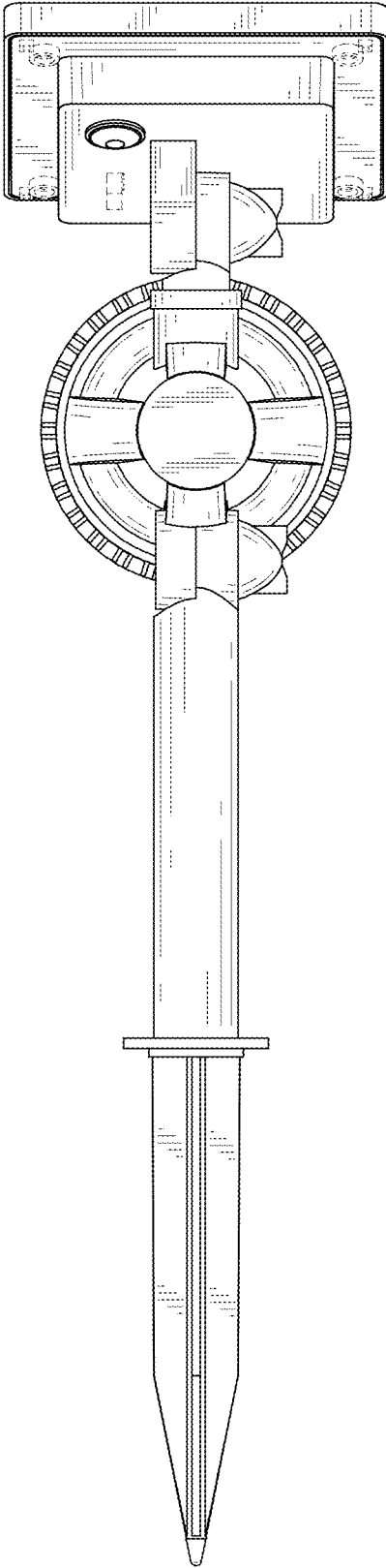


FIG. 4

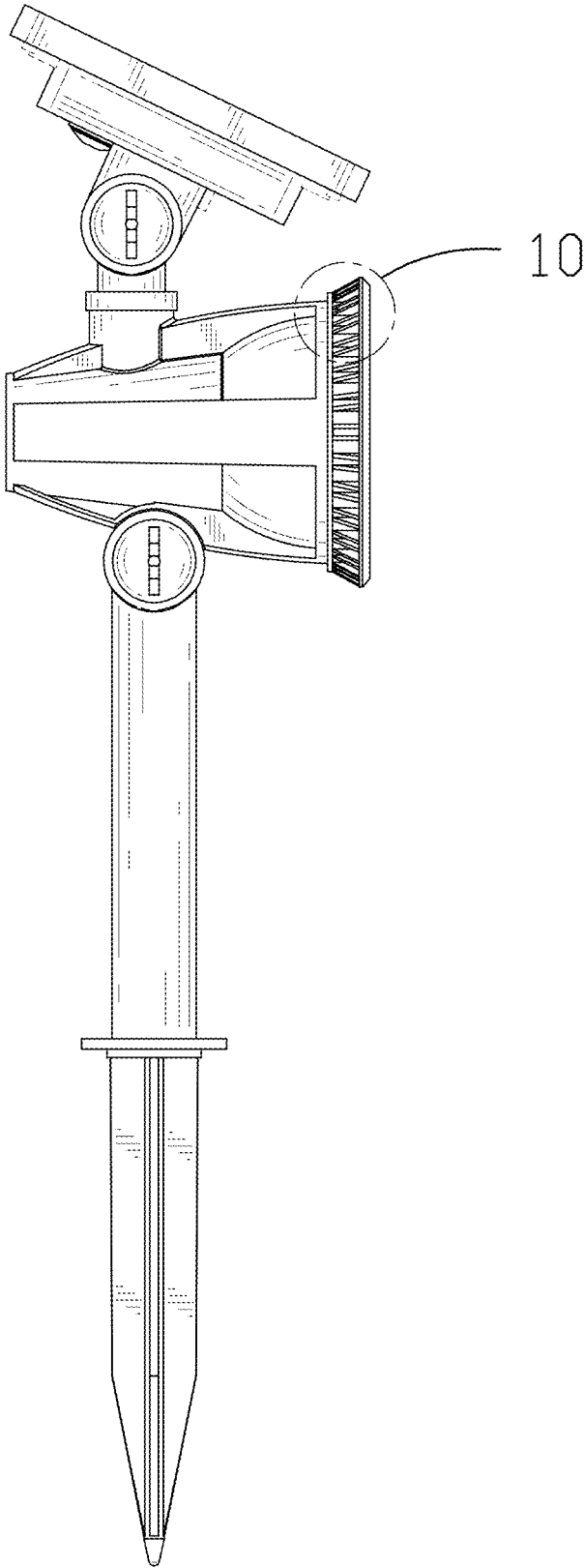


FIG. 5

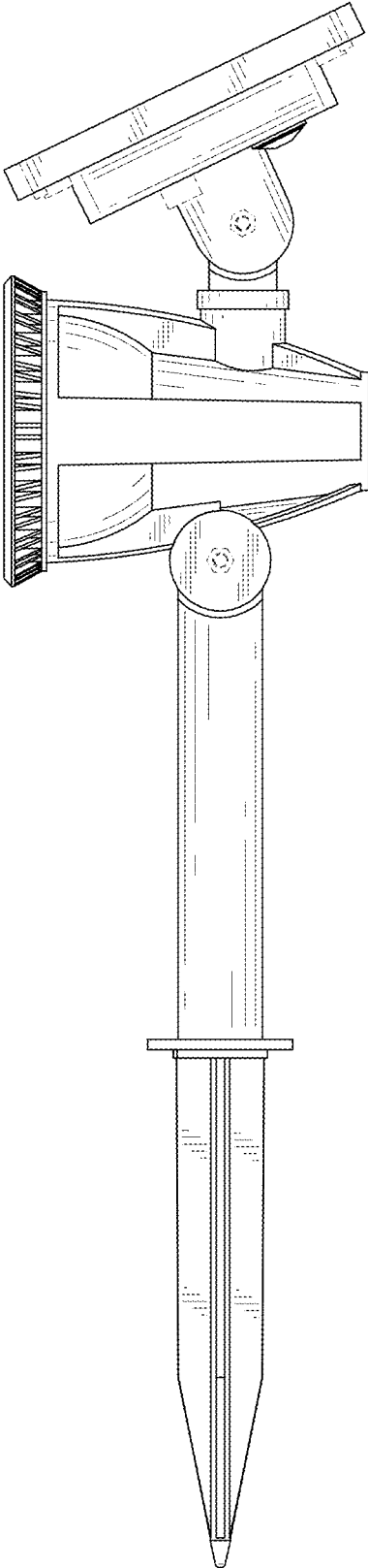


FIG. 6

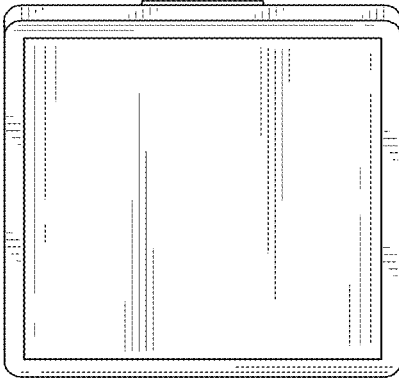


FIG. 7



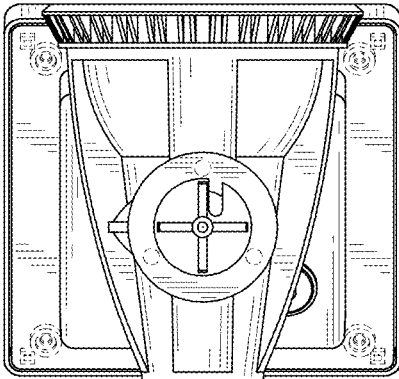


FIG. 8

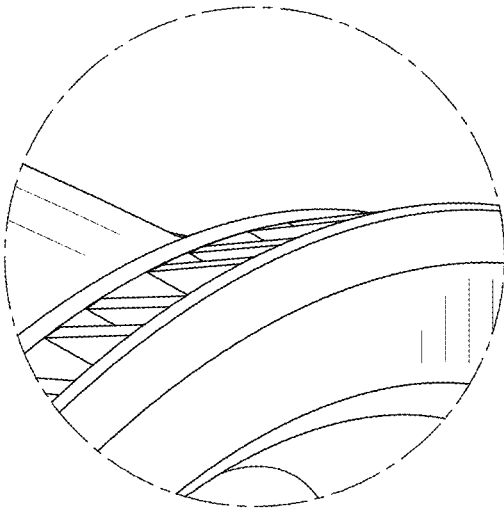


FIG. 9

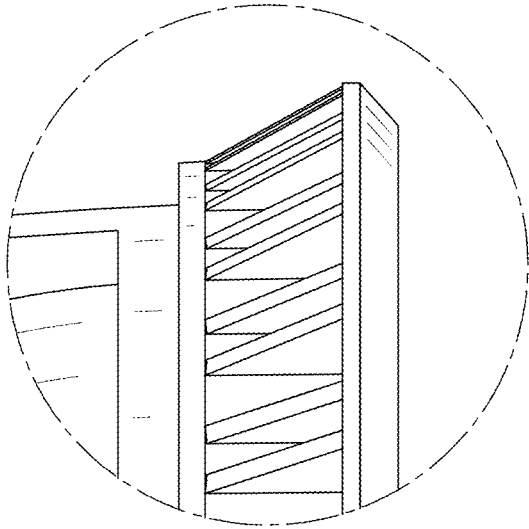


FIG. 10