



US00D732522S

(12) **United States Design Patent**  
**Chadbourne et al.**

(10) **Patent No.:** **US D732,522 S**

(45) **Date of Patent:** **\*\* Jun. 23, 2015**

(54) **KIOSK**

(71) Applicant: **Bibliotheca Limited**, Stockport (GB)

(72) Inventors: **Andrew Chadbourne**, Stockport (GB);  
**Delaney Kate Levey**, Stockport (GB);  
**Neil Clark**, Wirral (GB); **Dean Ward**,  
Wirral (GB)

(73) Assignee: **BIBLIOTHECA LIMITED**, Stockport  
(GB)

(\*\*) Term: **14 Years**

(21) Appl. No.: **29/477,621**

(22) Filed: **Dec. 24, 2013**

(30) **Foreign Application Priority Data**

Jun. 27, 2013 (EM) ..... 002264382-002

(51) **LOC (10) Cl.** ..... **14-02**

(52) **U.S. Cl.**  
USPC ..... **D14/307**

(58) **Field of Classification Search**

USPC ..... D14/302-307, 900-902; D13/163;  
D20/10; D21/332, 325, 369, 370;  
D99/28; D6/397, 466; 194/206;  
361/679.01, 679.02, 679.04, 679.21,  
361/679.57, 725  
CPC .... G06Q 20/18; G06Q 20/10; G06Q 20/123;  
G06Q 20/20; G06Q 30/02; G06Q 30/06;  
A47F 9/047  
See application file for complete search history.

(56) **References Cited**

**U.S. PATENT DOCUMENTS**

D518,480 S \* 4/2006 Zheng et al. .... D14/307  
D585,943 S \* 2/2009 Pymm et al. .... D20/10  
D587,699 S \* 3/2009 Corti et al. .... D14/307  
D589,829 S \* 4/2009 Friedli ..... D10/108  
D637,595 S \* 5/2011 Mizusugi ..... D14/307

D661,293 S \* 6/2012 Kuroda et al. .... D14/307  
D671,535 S \* 11/2012 Terashima et al. .... D14/307  
D671,542 S \* 11/2012 Siekmann et al. .... D14/422  
D675,610 S \* 2/2013 Ono ..... D14/307  
D705,213 S \* 5/2014 Smith et al. .... D14/307  
D707,674 S \* 6/2014 Daniel ..... D14/307  
D711,870 S \* 8/2014 Johnson et al. .... D14/307  
D717,785 S \* 11/2014 Winston et al. .... D14/307

\* cited by examiner

*Primary Examiner* — Austin Murphy

(74) *Attorney, Agent, or Firm* — Leason Ellis LLP

(57) **CLAIM**

The ornamental design for a kiosk, as shown and described.

**DESCRIPTION**

FIG. 1 is a front perspective view of a kiosk showing features of our new design in a first environment.

FIG. 2 is a front view of the kiosk of FIG. 1 showing features of our new design.

FIG. 3 is a side view of the kiosk of FIG. 1 showing features of our new design.

FIG. 4 is a rear view of the kiosk of FIG. 1 showing features of our new design.

FIG. 5 is a front view of the kiosk of FIG. 1 showing features of our new design in a second environment.

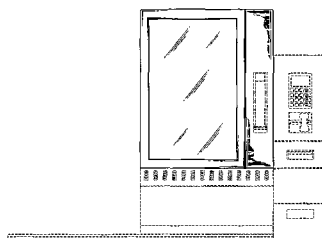
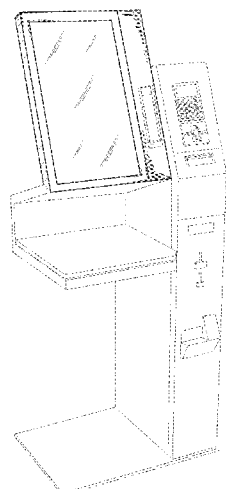
FIG. 6 is a front perspective view of the kiosk of FIG. 1 showing features of our new design in a third environment; and,

FIG. 7 is a front view of the kiosk of FIG. 6 showing features of our new design.

The broken lines illustrate environment and form no part of the claimed design.

Our design is not limited to the exact details shown in the drawings, since equivalents and colorable imitations thereof will be evident to a person of ordinary skill in the art. Within the scope of the appended claim, in which we intend to cover only the ornamental and novel elements shown in the drawings, our invention may be practiced otherwise than as specifically shown and described herein.

**1 Claim, 7 Drawing Sheets**



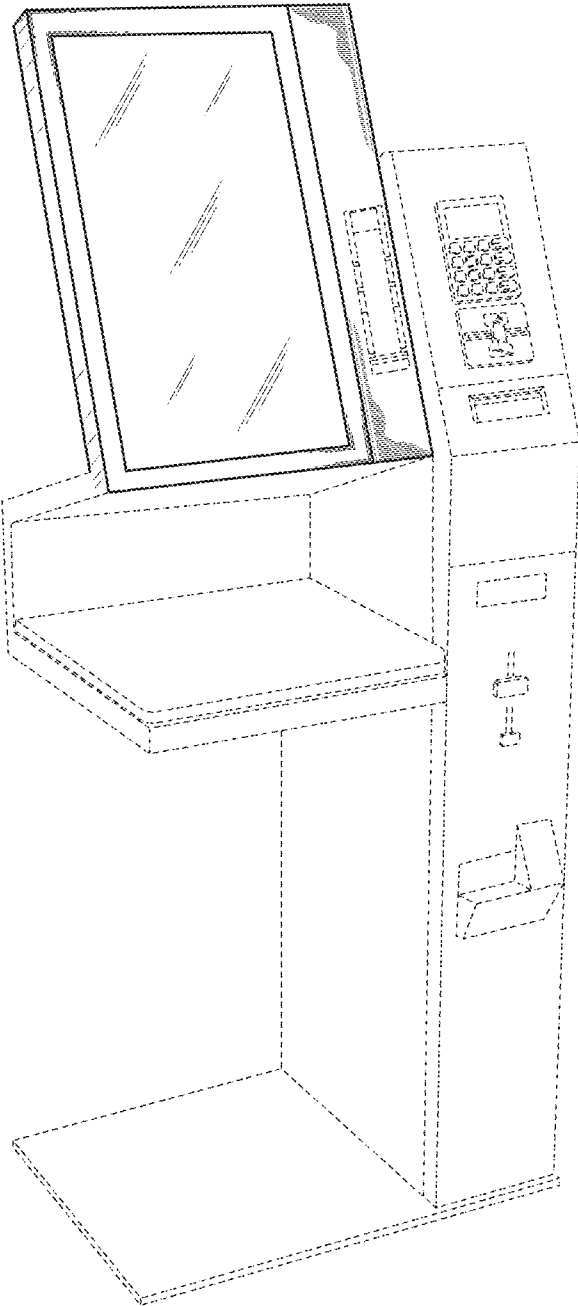


Fig. 1

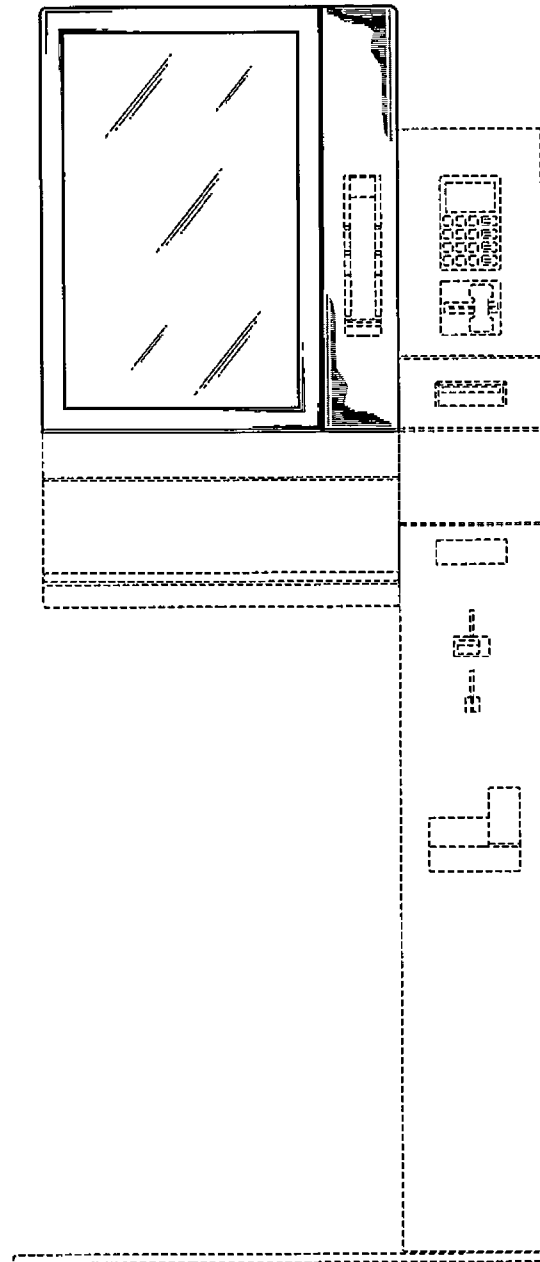


FIGURE 2

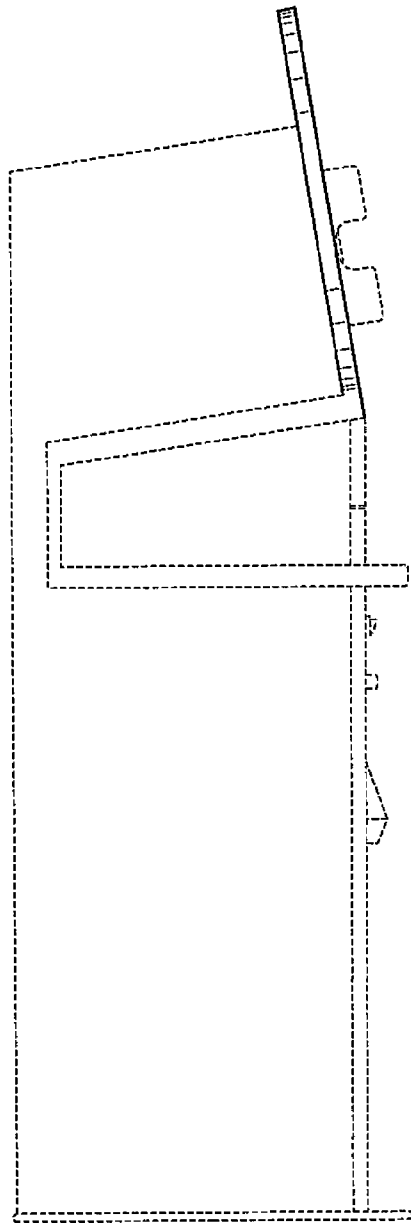


FIGURE 3

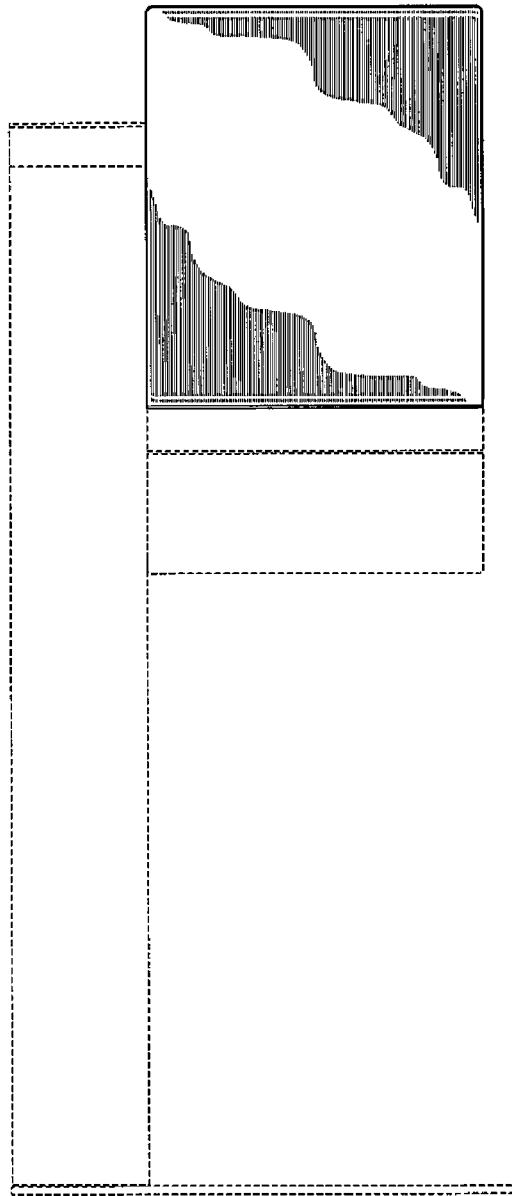


FIGURE 4

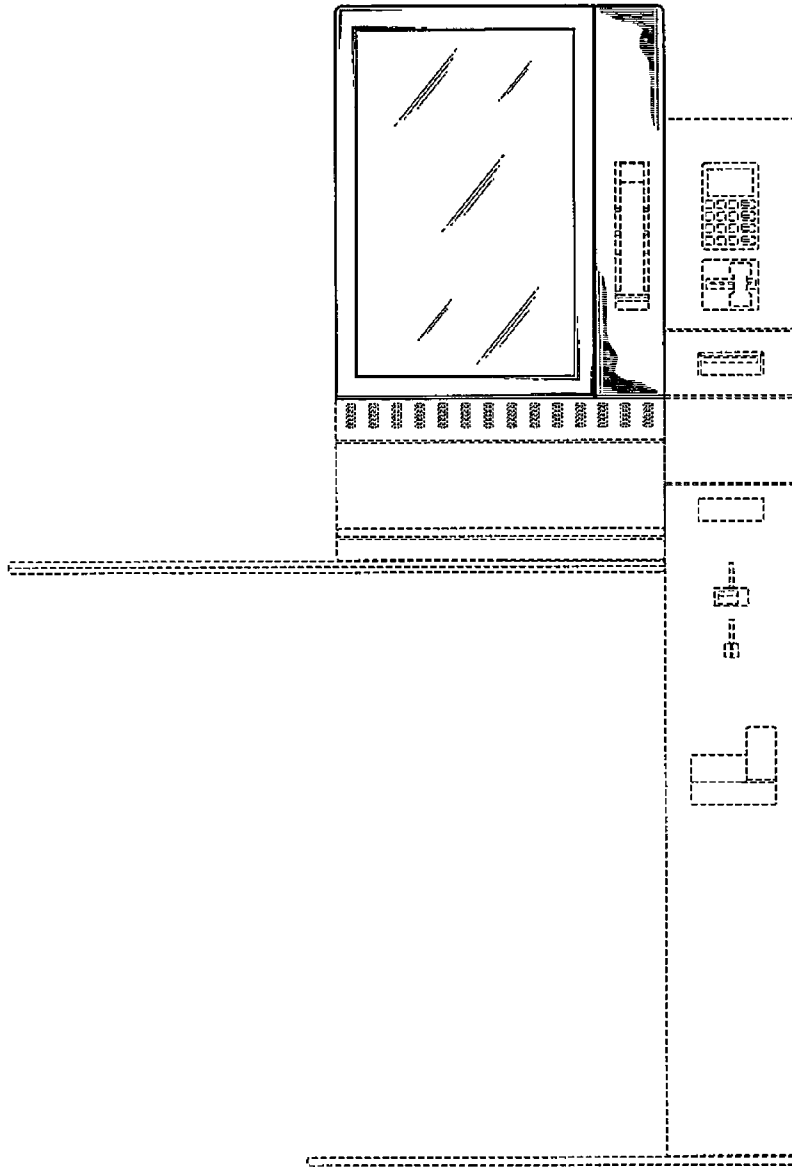


FIGURE 5

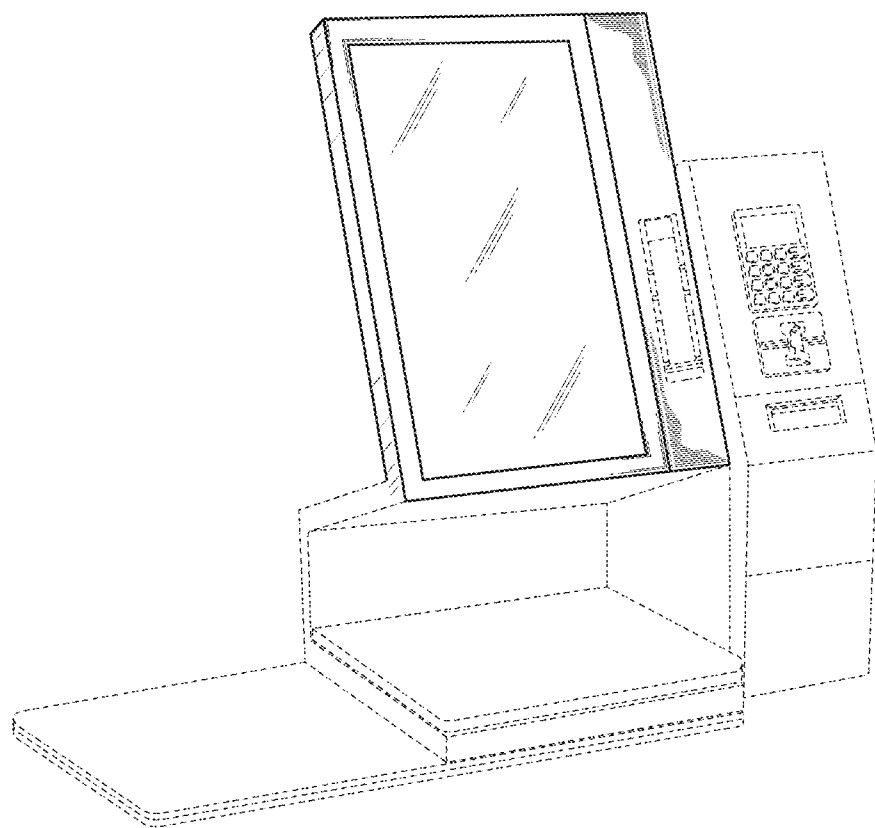


Fig. 6

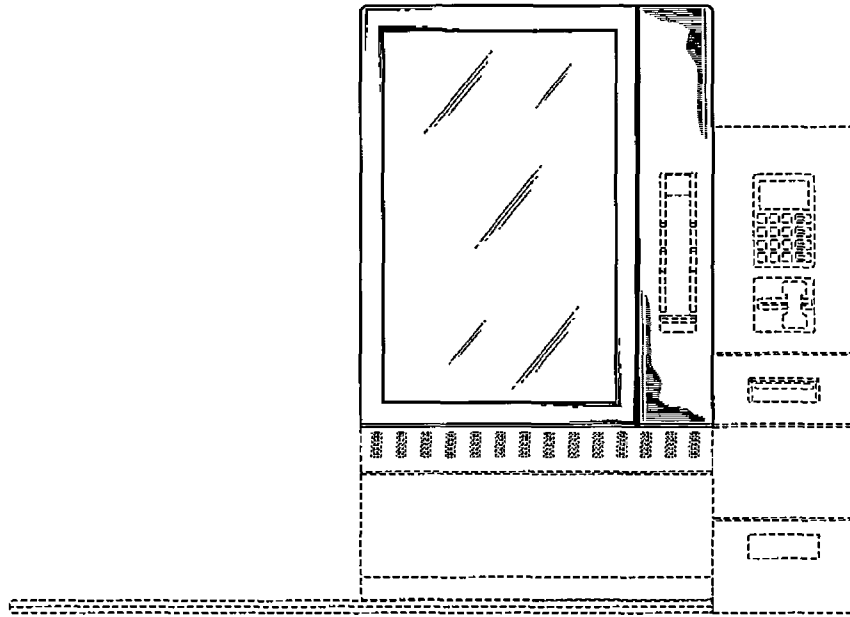


FIGURE 7