



(86) Date de dépôt PCT/PCT Filing Date: 2009/03/05  
 (87) Date publication PCT/PCT Publication Date: 2009/09/11  
 (85) Entrée phase nationale/National Entry: 2010/08/16  
 (86) N° demande PCT/PCT Application No.: US 2009/036222  
 (87) N° publication PCT/PCT Publication No.: 2009/111657  
 (30) Priorités/Priorities: 2008/03/05 (US61/034,013);  
 2008/04/30 (US61/049,028)

(51) Cl.Int./Int.Cl. *A61F 13/00* (2006.01),  
*A61F 13/02* (2006.01), *A61M 1/00* (2006.01)  
 (71) Demandeur/Applicant:  
 KCI LICENSING INC., US  
 (72) Inventeurs/Inventors:  
 JAEB, JONATHAN PAUL, US;  
 LOCKE, CHRISTOPHER BRIAN, GB;  
 COULTHARD, RICHARD DANIEL JOHN, GB;  
 ROBINSON, TIMOTHY MARK, GB;  
 TOUT, AIDAN MARCUS, GB  
 (74) Agent: BORDEN LADNER GERVAIS LLP

(54) Titre : PANSEMENT ET PROCEDE PERMETTANT D-EXERCER UNE PRESSION REDUITE SUR UN SITE  
 TISSULAIRE ET DE RECUEILLIR ET DE STOCKER UN FLUIDE QUI EN PROVIENT  
 (54) Title: DRESSING AND METHOD FOR APPLYING REDUCED PRESSURE TO AND COLLECTING AND STORING  
 FLUID FROM A TISSUE SITE

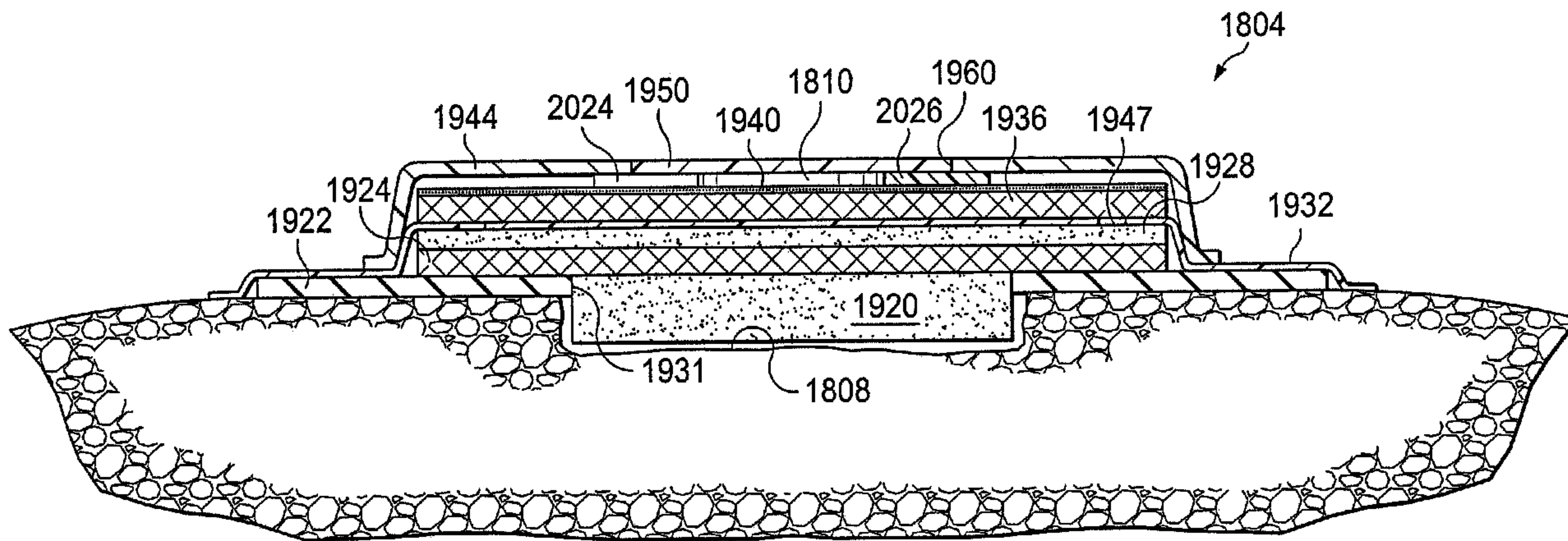


FIG. 19

(57) **Abrégé/Abstract:**

A reduced pressure dressing for applying reduced pressure treatment to a tissue site includes an interface layer adapted to be positioned at the tissue site. An absorbent layer is in fluid communication with the interface layer to absorb liquid from at least one of the interface layer and the tissue site. A pump is in fluid communication with the absorbent layer to deliver a reduced pressure to the tissue site. A cover is positioned over the pump, the absorbent layer, and the interface layer to maintain the reduced pressure at the tissue site, and a liquid-air separator is positioned between the absorbent layer and the pump to inhibit liquid from entering the pump.

## (12) INTERNATIONAL APPLICATION PUBLISHED UNDER THE PATENT COOPERATION TREATY (PCT)

(19) World Intellectual Property Organization  
International Bureau(43) International Publication Date  
11 September 2009 (11.09.2009)(10) International Publication Number  
**WO 2009/111657 A3**(51) International Patent Classification:  
A61F 13/02 (2006.01) A61M 1/00 (2006.01)(21) International Application Number:  
PCT/US2009/036222(22) International Filing Date:  
5 March 2009 (05.03.2009)

(25) Filing Language: English

(26) Publication Language: English

(30) Priority Data:  
61/034,013 5 March 2008 (05.03.2008) US  
61/049,028 30 April 2008 (30.04.2008) US(71) Applicant (for all designated States except US): **KCI LICENSING INC.** [US/US]; Legal Department - Intellectual Property, P.O. Box 659508, San Antonio, TX 78265-9508 (US).

(72) Inventors; and

(75) Inventors/Applicants (for US only): **JAEB, Jonathan, Paul** [US/US]; 27651 Ranch Lane, Boerne, TX 78006 (US). **LOCKE, Christopher, Brian** [GB/GB]; 6 Bosworth Mews, Bournemouth, Dorset BH9 35D (GB). **COULTHARD, Richard, Daniel, John** [GB/GB]; 6 Acorn Way, Verwood, Dorset BH31 6LL (GB). **ROBINSON, Timothy, Mark** [GB/GB]; 27 Wellington Terrace, Basingstoke, Hampshire RG23 8HH (GB). **TOUT, Aidan, Marcus** [GB/GB]; Schiehallion, York Drove, Normansland, Wiltshire SP5 2BT (GB).(74) Agents: **WELCH, Gerald, T.** et al.; Sonnenschein, Nath & Rosenthal LLP, P.O. Box 061080, Wacker Drive Station, Sears Tower, Chicago, IL 60606 (US).

(81) Designated States (unless otherwise indicated, for every kind of national protection available): AE, AG, AL, AM, AO, AT, AU, AZ, BA, BB, BG, BH, BR, BW, BY, BZ, CA, CH, CN, CO, CR, CU, CZ, DE, DK, DM, DO, DZ, EC, EE, EG, ES, FI, GB, GD, GE, GH, GM, GT, HN, HR, HU, ID, IL, IN, IS, JP, KE, KG, KM, KN, KP, KR, KZ, LA, LC, LK, LR, LS, LT, LU, LY, MA, MD, ME, MG, MK, MN, MW, MX, MY, MZ, NA, NG, NI, NO, NZ, OM, PG, PH, PL, PT, RO, RS, RU, SC, SD, SE, SG, SK, SL, SM, ST, SV, SY, TJ, TM, TN, TR, TT, TZ, UA, UG, US, UZ, VC, VN, ZA, ZM, ZW.

(84) Designated States (unless otherwise indicated, for every kind of regional protection available): ARIPO (BW, GH, GM, KE, LS, MW, MZ, NA, SD, SL, SZ, TZ, UG, ZM, ZW), Eurasian (AM, AZ, BY, KG, KZ, MD, RU, TJ, TM), European (AT, BE, BG, CH, CY, CZ, DE, DK, EE, ES, FI, FR, GB, GR, HR, HU, IE, IS, IT, LT, LU, LV, MC, MK, MT, NL, NO, PL, PT, RO, SE, SI, SK, TR), OAPI (BF, BJ, CF, CG, CI, CM, GA, GN, GQ, GW, ML, MR, NE, SN, TD, TG).

Published:

- with international search report (Art. 21(3))
- before the expiration of the time limit for amending the claims and to be republished in the event of receipt of amendments (Rule 48.2(h))

(88) Date of publication of the international search report:  
11 February 2010

(54) Title: DRESSING AND METHOD FOR APPLYING REDUCED PRESSURE TO AND COLLECTING AND STORING FLUID FROM A TISSUE SITE

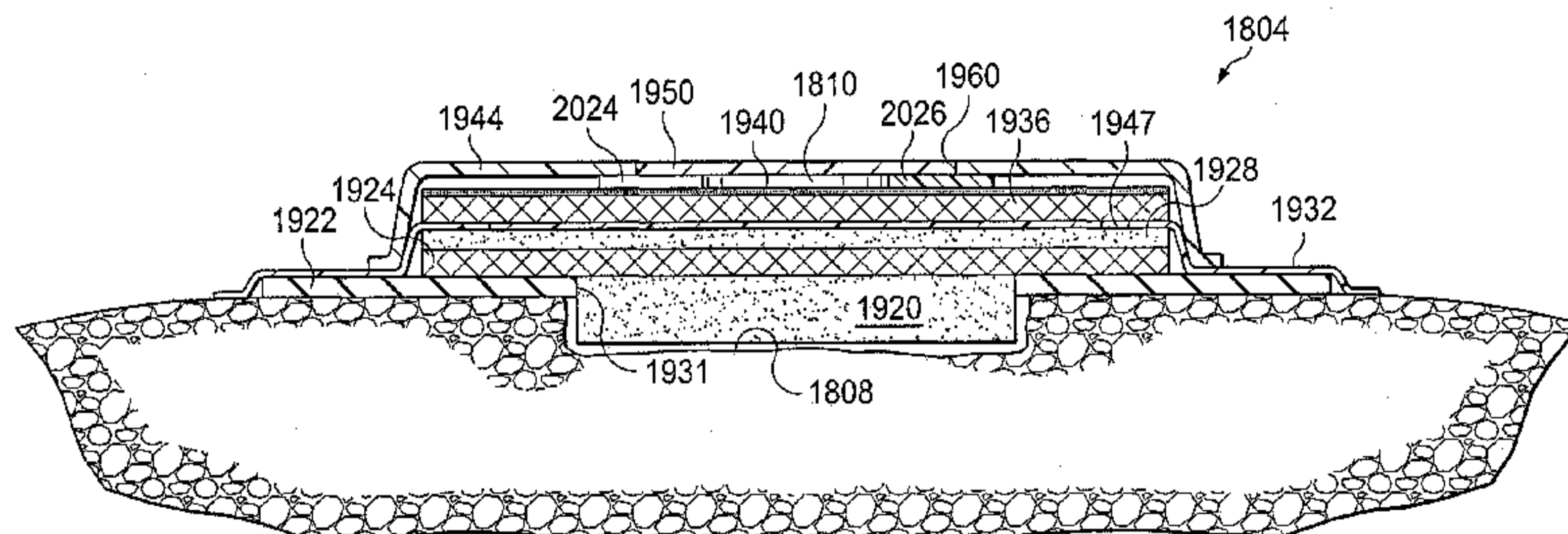


FIG. 19

(57) Abstract: A reduced pressure dressing for applying reduced pressure treatment to a tissue site includes an interface layer (1920) adapted to be positioned at the tissue site. An absorbent layer (1928) is in fluid communication with the interface layer to absorb liquid from at least one of the interface layer and the tissue site. A pump (1810) is in fluid communication with the absorbent layer to deliver a reduced pressure to the tissue site. A cover (1944) is positioned over the pump, the absorbent layer, and the interface layer to maintain the reduced pressure at the tissue site, and a liquid-air separator (1940) is positioned between the absorbent layer and the pump to inhibit liquid from entering the pump.



WO 2009/111657 A3



## **DRESSING AND METHOD FOR APPLYING REDUCED PRESSURE TO AND COLLECTING AND STORING FLUID FROM A TISSUE SITE**

### **CROSS-REFERENCE TO RELATED APPLICATIONS**

This application claims the benefit of U.S. Provisional Application No. 61/034,013  
5 filed March 5, 2008, and U.S. Provisional Application No. 61/049,028 filed April 30, 2008,  
both of which are hereby incorporated by reference.

### **BACKGROUND OF THE INVENTION**

#### **1. Field of the Invention**

The present invention relates generally to tissue treatment systems and in particular to  
10 dressings for distributing reduced pressure to and collecting and storing fluid from a tissue  
site.

#### **2. Description of Related Art**

Clinical studies and practice have shown that providing a reduced pressure in  
proximity to a tissue site augments and accelerates the growth of new tissue at the tissue site.  
15 The applications of this phenomenon are numerous, but application of reduced pressure has  
been particularly successful in treating wounds. This treatment (frequently referred to in the  
medical community as “negative pressure wound therapy,” “reduced pressure therapy,” or  
“vacuum therapy”) provides a number of benefits, including faster healing and increased  
formulation of granulation tissue. Typically, reduced pressure is applied to tissue through a  
20 porous pad or other manifold device. The porous pad contains cells or pores that are capable  
of distributing reduced pressure to the tissue and channeling fluids that are drawn from the  
tissue. The porous pad may be incorporated into a dressing having other components that  
facilitate treatment.

## SUMMARY

The problems presented by existing collection canisters are solved by the systems and methods of the illustrative embodiments described herein. In one illustrative embodiment, a reduced pressure dressing for applying reduced pressure treatment to a tissue site is provided.

5 The reduced pressure dressing includes an interface layer adapted to be positioned at the tissue site. An absorbent layer is in fluid communication with the interface layer to absorb liquid from at least one of the interface layer and the tissue site. A pump is in fluid communication with the absorbent layer to deliver a reduced pressure to the tissue site. A cover is positioned over the pump, the absorbent layer, and the interface layer to maintain the reduced pressure at  
10 the tissue site, and a liquid-air separator is positioned between the absorbent layer and the pump to inhibit liquid from entering the pump.

In another illustrative embodiment, a reduced pressure dressing for applying reduced pressure treatment to a tissue site includes an interface layer adapted to be positioned at the tissue site. An absorbent layer is in fluid communication with the interface layer to absorb  
15 liquid from at least one of the interface layer and the tissue site. A pump is in fluid communication with the absorbent layer to deliver a reduced pressure to the tissue site. A diverter layer is positioned between the absorbent layer and the pump, and the diverter layer includes a plurality of apertures to transmit the reduced pressure from the pump to the absorbent layer. A cover is positioned over the pump, the diverter layer, the absorbent layer,  
20 and the interface layer to maintain the reduced pressure at the tissue site. A liquid-air separator is positioned between the diverter layer and the pump to inhibit liquid from entering the pump.

In another illustrative embodiment, a reduced pressure dressing for applying reduced pressure treatment to a tissue site is provided. The reduced pressure dressing includes an  
25 interface layer adapted to be positioned at the tissue site and an absorbent layer in fluid communication with the interface layer to absorb liquid from at least one of the interface layer and the tissue site. A diverter layer is adjacent the absorbent layer, and the diverter layer is formed from a substantially gas-impermeable material. The diverter layer includes a plurality of apertures in fluid communication with the absorbent layer to increase an amount of time  
30 that the absorbent layer is able to distribute reduced pressure. A pump is in fluid communication with the plurality of apertures of the diverter layer to deliver a reduced pressure to the tissue site. A cover is positioned over the pump, the diverter layer, the absorbent layer, and the interface layer to maintain the reduced pressure at the tissue site. A



liquid-air separator is positioned between the diverter layer and the pump to inhibit liquid from entering the pump.

In still another illustrative embodiment, a reduced pressure dressing for applying reduced pressure treatment to a tissue site is provided. The reduced pressure dressing includes an interface layer adapted to be positioned at the tissue site. A first manifold layer is in fluid communication with the interface layer, and an absorbent layer is in fluid communication with the first manifold layer to absorb liquid from at least one of the first manifold layer, the interface layer, and the tissue site. A diverter layer is formed from a substantially gas-impermeable material, and the diverter layer includes a plurality of spaced apertures in fluid communication with the absorbent layer. A second manifold layer is in fluid communication with the diverter layer. A pump is in fluid communication with the second manifold layer to deliver a reduced pressure to the tissue site. A cover is positioned over the pump, the second manifold layer, the diverter layer, the absorbent layer, the first manifold layer, and the interface layer to maintain the reduced pressure at the tissue site. A liquid-air separator is positioned between the second manifold and the pump to inhibit liquid from entering the pump.

In yet another illustrative embodiment, a method for collecting liquid in a dressing positioned at a tissue site includes generating a reduced pressure using a pump positioned within the dressing. A liquid is absorbed from the tissue site and is stored in the dressing. The liquid is prevented from entering the pump.

In another illustrative embodiment, a reduced pressure dressing adapted to distribute a reduced pressure to a tissue site includes an interface layer adapted to be positioned at the tissue site. An absorbent layer is in fluid communication with the interface layer to absorb liquid from at least one of the interface layer and the tissue site. A pump is in fluid communication with the absorbent layer to deliver the reduced pressure to the tissue site, a diverter layer is positioned between the absorbent layer and the pump. The diverter layer is formed from a substantially gas-impermeable material and includes a surface area smaller than a surface area of the absorbent layer such that flow is directed around at least one perimeter edge of the diverter layer. A cover is positioned over the diverter layer to maintain the reduced pressure at the tissue site.

In still another illustrative embodiment, a reduced pressure dressing adapted to distribute a reduced pressure to a tissue site is provided. The dressing includes an interface layer adapted to be positioned at the tissue site. An absorbent layer is in fluid communication



with the interface layer to absorb liquid from at least one of the interface layer and the tissue site. A pump is in fluid communication with the absorbent layer to deliver the reduced pressure to the tissue site, and a diverter layer is positioned between the absorbent layer and the pump. The diverter layer is formed from a substantially gas-permeable, liquid  
5 impermeable material. A cover is positioned over the diverter layer to maintain the reduced pressure at the tissue site.

Other objects, features, and advantages of the illustrative embodiments will become apparent with reference to the drawings and detailed description that follow.

10

### BRIEF DESCRIPTION OF THE DRAWINGS

FIG. 1 illustrates a perspective view of a reduced pressure treatment system according to an illustrative embodiment, the reduced pressure treatment system having a dressing positioned at a tissue site;

FIG. 2 depicts a cross-sectional front view of the dressing of FIG. 1 taken at 2-2;

15

FIG. 3 illustrates an exploded perspective view of the dressing of FIG. 1;

FIG. 4 depicts a top view of a diverter layer the dressing of FIG. 3;

FIG. 5 illustrates a top view of a diverter layer according to an illustrative embodiment;

FIG. 6 depicts a top view of the diverter layer of FIG. 5;

20

FIG. 7 illustrates a perspective view of a diverter layer according to an illustrative embodiment;

FIG. 8 depicts a top view of the diverter layer of FIG. 7;

FIG. 9 illustrates a top view of a diverter layer according to an illustrative embodiment;

FIG. 10 depicts an exploded perspective view of a reduced pressure dressing according to an illustrative embodiment;

25

FIG. 11 illustrates a top view of a drape for use with a reduced pressure dressing according to an illustrative embodiment;

FIG. 12 depicts a cross-sectional front view of the drape of FIG. 11;

FIG. 13 illustrates a cross-sectional front view of a drape for use with a reduced pressure dressing according to an illustrative embodiment;

30

FIG. 14 depicts a top view of a tissue interface layer for use with a reduced pressure dressing according to an illustrative embodiment;

FIG. 15 illustrates a top view of a tissue interface layer for use with a reduced pressure dressing according to an illustrative embodiment;

FIG. 16 depicts a graph showing vacuum pressure versus time for a reduced pressure treatment system applying reduced pressure to a tissue site according to an illustrative  
5 embodiment;

FIG. 17 illustrates an exploded perspective view of a reduced pressure treatment dressing according to an illustrative embodiment;

FIG. 18 depicts a perspective view of a reduced pressure treatment system according to an illustrative embodiment, the reduced pressure treatment system having a dressing with an  
10 integrated pump positioned at a tissue site;

FIG. 19 illustrates a cross-sectional front view of the dressing and pump of FIG. 18 taken at 19-19; and

FIG. 20 depicts an exploded perspective view of the dressing and pump of FIG. 18.

## 15                   **DETAILED DESCRIPTION OF ILLUSTRATIVE EMBODIMENTS**

In the following detailed description of several illustrative embodiments, reference is made to the accompanying drawings that form a part hereof, and in which is shown by way of illustration specific preferred embodiments in which the invention may be practiced. These  
20 embodiments are described in sufficient detail to enable those skilled in the art to practice the invention, and it is understood that other embodiments may be utilized and that logical structural, mechanical, electrical, and chemical changes may be made without departing from the spirit or scope of the invention. To avoid detail not necessary to enable those skilled in the art to practice the embodiments described herein, the description may omit certain information  
25 known to those skilled in the art. The following detailed description is, therefore, not to be taken in a limiting sense, and the scope of the illustrative embodiments are defined only by the appended claims.

The term “reduced pressure” as used herein generally refers to a pressure less than the ambient pressure at a tissue site that is being subjected to treatment. In most cases, this  
30 reduced pressure will be less than the atmospheric pressure at which the patient is located. Alternatively, the reduced pressure may be less than a hydrostatic pressure associated with tissue at the tissue site. Although the terms “vacuum” and “negative pressure” may be used to describe the pressure applied to the tissue site, the actual pressure reduction applied to the



tissue site may be significantly less than the pressure reduction normally associated with a complete vacuum. Reduced pressure may initially generate fluid flow in the area of the tissue site. As the hydrostatic pressure around the tissue site approaches the desired reduced pressure, the flow may subside, and the reduced pressure is then maintained. Unless otherwise indicated, values of pressure stated herein are gauge pressures. Similarly, references to increases in reduced pressure typically refer to a decrease in absolute pressure, while decreases in reduced pressure typically refer to an increase in absolute pressure.

The term "tissue site" as used herein refers to a wound or defect located on or within any tissue, including but not limited to, bone tissue, adipose tissue, muscle tissue, neural tissue, dermal tissue, vascular tissue, connective tissue, cartilage, tendons, or ligaments. The term "tissue site" may further refer to areas of any tissue that are not necessarily wounded or defective, but are instead areas in which it is desired to add or promote the growth of additional tissue. For example, reduced pressure tissue treatment may be used in certain tissue areas to grow additional tissue that may be harvested and transplanted to another tissue location.

Reduced pressure treatment systems are often applied to large, highly exuding wounds present on patients undergoing acute or chronic care, as well as other severe wounds that are not readily susceptible to healing without application of reduced pressure. Low-severity wounds that are smaller in volume and produce less exudate have generally been treated using advanced dressings instead of reduced pressure treatment. These advanced dressings, however, are not adapted for use with reduced pressure and are subject to several drawbacks when used in conjunction with reduced pressure. For example, these current dressings may fail to make optimal use of fluid storage capacity in the dressing. Additionally, existing dressings are not configured to adequately transmit reduced pressure, especially as the dressings begin to absorb and store fluid.

Currently, the use of reduced pressure treatment is not considered a viable or affordable option for low-severity wounds due to the manpower required to monitor and change system components, the requirement for trained medical personnel overseeing treatment, and the cost of treatment. For example, the complexity of current reduced pressure treatment systems limits the ability of a person with little or no specialized knowledge from administering such treatment to oneself or others. The size of current reduced pressure treatment systems also impairs the mobility of both the treatment system and the person to whom the treatment is being applied. For example, current reduced pressure treatment



systems require the use of a separate canister that stores exudate or other liquid from the tissue site. Current reduced pressure treatment systems are also typically non-disposable after each treatment, and require electrical components or other powered devices in order to apply the reduced pressure used in treatment.

## 5           **Reduced Pressure Dressing**

Referring to FIG. 1, a reduced pressure treatment system 100 according to an illustrative embodiment includes a reduced pressure dressing 104 positioned at a tissue site 108 of a patient. The reduced pressure dressing 104 is fluidly connected to a reduced pressure source 110 by a conduit 112. The conduit 112 may fluidly communicate with the reduced pressure dressing 104 through a tubing adapter 116. In the embodiment illustrated in FIG. 1, the reduced pressure source 110 is a manually-actuated pump such as, for example, a compressible bellows pump. In another implementation, the reduced pressure source 110 may be a reduced pressure or vacuum pump driven by a motor. In another embodiment, the reduced pressure source 110 may be a powered micropump such as, for example, a piezoelectric disc pump, or alternatively a peristaltic pump. In still another embodiment, the reduced pressure source 110 may be a wall suction port such as are available in hospitals and other medical facilities.

The reduced pressure source 110 may be housed within a reduced pressure treatment unit, which may also contain sensors, processing units, alarm indicators, memory, databases, software, display units, and user interfaces that further facilitate the application of reduced pressure treatment to the tissue site 108. In one example, a sensor or switch (not shown) may be disposed at or near the reduced pressure source 110 to determine a source pressure generated by the reduced pressure source 110. The sensor may communicate with a processing unit that monitors and controls the reduced pressure that is delivered by the reduced pressure source 110. Delivery of reduced pressure to the reduced pressure dressing 104 and tissue site 108 encourages new tissue growth by maintaining drainage of exudate from the tissue site, increasing blood flow to tissues surrounding the tissue site, and creating microstrain at the tissue site.

Referring to FIGS. 2 and 3, the reduced pressure dressing 104 includes an interface layer 220 adapted to be positioned at the tissue site 108, and a seal layer 222 to seal the reduced pressure dressing 104 around the tissue site 108. A first manifold layer 224 is in fluid communication with the interface layer 220 to distribute the reduced pressure to the interface layer 220 and the tissue site 108. An absorbent layer 228 is positioned in fluid communication



with the first manifold layer 224 to absorb liquid from at least one of the first manifold layer 224, the interface layer 220, and the tissue site 108. A diverter layer 232 is positioned adjacent the absorbent layer 228. A second manifold layer 236 is positioned in fluid communication with the diverter layer 232, and a liquid-air separator 240 is positioned adjacent the second manifold layer 236. A cover 244, or drape, is positioned adjacent the liquid-air separator 240.

The interface layer 220 of the reduced pressure dressing 104 is adapted to contact the tissue site 108. The interface layer 220 may be partially or fully in contact with the tissue site 108 being treated by the reduced pressure dressing 104. When the tissue site 108 is a wound, the interface layer 220 may partially or fully fill the wound.

The interface layer 220 may be any size, shape, or thickness depending on a variety of factors, such as the type of treatment being implemented or the nature and size of the tissue site 108. For example, the size and shape of the interface layer 220 may be customized by a user to cover a particular portion of the tissue site 108, or to fill or partially fill the tissue site 108. Although the interface layer 220 illustrated in FIG. 3 has a square shape, the interface layer 220 may be shaped as a circle, oval, polygon, an irregular shape, or any other shape.

In one illustrative embodiment, the interface layer 220 is a foam material that functions as a manifold to provide reduced pressure to the tissue site 108 when the interface layer 220 is in contact with or near the tissue site 108. The foam material may be either hydrophobic or hydrophilic. In one non-limiting example, the interface layer 220 is an open-cell, reticulated polyurethane foam such as GranuFoam<sup>®</sup> dressing available from Kinetic Concepts, Inc. of San Antonio, Texas.

In the example in which the interface layer 220 is made from a hydrophilic material, the interface layer 220 also functions to wick fluid away from the tissue site 108, while continuing to provide reduced pressure to the tissue site 108 as a manifold. The wicking properties of the interface layer 220 draw fluid away from the tissue site 108 by capillary flow or other wicking mechanisms. An example of a hydrophilic foam is a polyvinyl alcohol, open-cell foam such as V.A.C. WhiteFoam<sup>®</sup> dressing available from Kinetic Concepts, Inc. of San Antonio, Texas. Other hydrophilic foams may include those made from polyether. Other foams that may exhibit hydrophilic characteristics include hydrophobic foams that have been treated or coated to provide hydrophilicity.

The interface layer 220 may further promote granulation at the tissue site 108 when a reduced pressure is applied through the reduced pressure dressing 104. For example, any or



all of the surfaces of the interface layer 220 may have an uneven, coarse, or jagged profile that causes microstrains and stresses at the tissue site 108 when reduced pressure is applied through the interface layer 220. These microstrains and stresses have been shown to increase new tissue growth.

5 In one embodiment, the interface layer 220 may be constructed from bioresorbable materials that do not have to be removed from a patient's body following use of the reduced pressure dressing 104. Suitable bioresorbable materials may include, without limitation, a polymeric blend of polylactic acid (PLA) and polyglycolic acid (PGA). The polymeric blend may also include without limitation polycarbonates, polyfumarates, and capralactones. The  
10 interface layer 220 may further serve as a scaffold for new cell-growth, or a scaffold material may be used in conjunction with the interface layer 220 to promote cell-growth. A scaffold is a substance or structure used to enhance or promote the growth of cells or formation of tissue, such as a three-dimensional porous structure that provides a template for cell growth. Illustrative examples of scaffold materials include calcium phosphate, collagen, PLA/PGA,  
15 coral hydroxy apatites, carbonates, or processed allograft materials.

The seal layer 222 of the reduced pressure dressing 104 includes an aperture or opening 231 and provides a seal around the tissue site 108. The seal layer 222 may serve as a gasket around a portion of the tissue site 108 to prevent reduced pressure applied to the reduced pressure dressing 104 from leaking out of the reduced pressure dressing 104. The seal  
20 layer 222 may also be used to secure the interface layer 220 at the tissue site 108. If the cover 244 is applied to the tissue surrounding the tissue site 108 with wrinkles in the cover 244, then the seal layer 222 assists in maintaining in the wrinkled areas of the cover 244.

The seal layer 222 may be any size and thickness capable of providing a seal around the tissue site 108. In the example of FIG. 2, a length, L2, and a width, W2, of the seal layer  
25 222 are greater than a length, L1, and a width, W1, of the interface layer 220, respectively. Thus, portions of the seal layer 222 extend past the edges of the interface layer 220. These portions may contact the tissue surrounding the tissue site 108 directly, thereby providing a seal around the tissue site 108 and the interface layer 220.

While the seal layer 222 illustrated in FIG. 3 has a square shape, the seal layer 222 may  
30 also have any other shape that provides a seal around the tissue site 108 or the interface layer 220. Non-limiting examples of other shapes include a circle, oval, any polygonal shape, an irregular shape, or a shape that is customized to contour to the tissue surrounding the tissue site 108 or the interface layer 220.



The seal layer 222 may be made from any material that is capable of sealing around the treated portion of the tissue site 108. In one illustrative embodiment, the seal layer 222 may include or be made from a hydrogel. The seal layer 222 may also include either or both of a hydrocolloid or silicon.

5 Although the seal layer 222 is shown as being disposed adjacent to the interface layer 220, the seal layer 222 may be positioned adjacent or between any of the layers in the reduced pressure dressing 104. Additional details regarding the positioning of the seal layer 222 are discussed in more detail below with reference to FIG. 2.

10 The reduced pressure dressing 104 also includes a first manifold layer 224 for distributing the reduced pressure to and withdrawing liquid, such as exudate, from the interface layer 220. When the seal layer 222 is positioned adjacent the interface layer 220, liquid may be withdrawn from the tissue site 108 through the aperture 231. As a reduced pressure is applied to the reduced pressure dressing 104, the liquid is wicked from the tissue site 108 by the interface layer 220 and drawn through the aperture 231 of the seal layer 222 by  
15 the first manifold layer 224.

In one embodiment, a length,  $L_3$ , and a width,  $W_3$ , of the aperture 231 is less than the length,  $L_1$ , and the width,  $W_1$ , of the interface layer 220. However, in other embodiments, particularly in those embodiments in which one or more other layers are disposed between the seal layer 222 and the interface layer 220, the length,  $L_3$ , and the width,  $W_3$ , of the aperture  
20 231 may be equal to or larger than the length,  $L_1$ , and the width,  $W_1$ , of the interface layer 220. While the aperture 231 illustrated in FIG. 3 has a square shape, the aperture 231 may instead have any other shape that allows the seal layer 222 to provide a seal while facilitating the passage of liquid from the tissue site 108.

The first manifold layer 224 may have any size, shape, or thickness. For example, the size and shape of the first manifold layer 224 may be customized to provide differing levels of  
25 utilization of the absorbent layer 228. The size and shape of the first manifold layer 224 may also be customized based on the size and shape of other components in the reduced pressure dressing 104, such as the size and shape of the interface layer 220, the seal layer 222, the aperture 231, the absorbent layer 228, or other layers in the reduced pressure dressing 104.

30 The first manifold layer 224 is a biocompatible, porous material that is capable of distributing reduced pressure to the tissue site 108. The first manifold layer 224 may be made from foam, gauze, felted mat, or any other material suited to a particular biological application. The first manifold layer 224 includes a plurality of flow channels or pathways to



facilitate distribution of reduced pressure or fluids to or from the tissue site 108. In one embodiment, the first manifold layer 224 is a porous foam and includes a plurality of interconnected cells or pores that act as flow channels. The porous foam may be a polyurethane, open-cell, reticulated foam such as GranuFoam<sup>®</sup> dressing. If an open-cell foam is used, the porosity may be about 400 to 600 microns or any other porosity capable of adequately manifolding reduced pressure. The flow channels allow fluid communication throughout the portion of first manifold layer 224 having open cells. The cells and flow channels may be uniform in shape and size, or may include patterned or random variations in shape and size. Variations in the shape and size of the cells of the first manifold layer 224 result in variations in the flow channels, and such characteristics may be used to alter the flow characteristics of fluid through first manifold layer 224. The first manifold layer 224 may be either hydrophobic or hydrophilic. In one embodiment, the first manifold layer 224 may be made from the same material as the interface layer 220.

In one embodiment, the first manifold layer 224 may be made from a material that expands upon contact with a liquid, such as exudate from the tissue site 108, such that the first manifold layer 224 will fill a wound site or otherwise contact the tissue site 108. In this embodiment, the first manifold layer 224 may enable the interface layer 220 to be removed, thereby simplifying the construction and reducing the thickness or profile of the reduced pressure dressing 104.

The absorbent layer 228 of the reduced pressure dressing 104 is disposed adjacent the first manifold layer 224 for receiving and absorbing the liquids distributed by the first manifold layer 224. The first manifold layer 224 facilitates the migration of liquid from the tissue site 108 radially outward toward the edges of the first manifold layer 224, as indicated generally by the multi-directional arrows 239 so that the liquid is distributed more uniformly across the absorbent layer 228. The absorbent layer 228 will retain more liquid if the liquid is more uniformly distributed across the surface of the absorbent layer 228.

As used herein, a "surface area" of a layer refers to an area measurement of the layer as may be determined in a plane that is positioned adjacent to or in contact with other layers. In the example illustrated in FIG. 3, the surface areas of the first manifold layer 224 and the absorbent layer 228 are determined by multiplying the lengths and widths of the respective layers, the lengths and widths being measured in a plane substantially parallel to the plane containing the length, L<sub>3</sub>, and the width, W<sub>3</sub>, of the aperture 231.



A surface area (defined as  $L3 \times W3$ ) of the aperture 231 in FIG. 3 may be less than a surface area of the first manifold layer 224 and a surface area of the absorbent layer 228. If the first manifold layer 224 failed to distribute the liquid radially toward the edges of the first manifold layer 224, then the absorbent layer 228 would primarily absorb liquid in a portion of the absorbent layer 228 having a same size as the aperture 231. However, because the first manifold layer 224 is capable of radially distributing liquid from the tissue site 108 in the directions indicated by the multi-directional arrows 239, a larger surface area of the absorbent layer 228 is exposed to the liquid, and the absorbent layer 228 can store a larger volume of fluid. While the reduced pressure dressing 104 is designed primarily for use with reduced pressure, the distribution of liquid from the tissue site 108 in the directions indicated by the multi-directional arrows 239 may occur during the application of or in the absence of reduced pressure. A more complete utilization of the absorbent layer 228 may be achieved using the first manifold layer 224 even when reduced pressure is not being applied to the reduced pressure dressing 104.

The absorbent layer 228 is adapted to absorb liquid, such as exudate, from the tissue site 108 via the interface layer 220 and the first manifold layer 224 through the aperture 231 of the seal layer 222. The absorbent layer 228 is also adapted to manifold and transfer reduced pressure through those layers to the tissue site 108. The absorbent layer 228 may be made from any material capable of absorbing liquid, such as exudate from the tissue site 108. In one embodiment, the absorbent layer 228 may be made from a super absorbent fiber. The super absorbent fibers may hold onto or bond to the liquid in conjunction with a physical or chemical change to the fibers. In one non-limiting example, the super absorbent fiber may include the Super Absorbent Fiber (SAF) material from Technical Absorbents<sup>®</sup>, Ltd. The absorbent layer 228 may be a sheet or mat of fibrous material in which the fibers absorb liquid from the tissue site 108. The structure of the absorbent layer 228 that contains the fibers may be either woven or non-woven. The fibers in the absorbent layer 228 may gel upon contact with the liquid, thereby trapping the liquid. Spaces or voids between the fibers may allow a reduced pressure that is applied to the reduced pressure dressing 104 to be transferred within and through the absorbent layer 228. In one embodiment, the fiber density of fibers in the absorbent layer 228 may be approximately 1.4 grams per millimeter.

The absorbent layer 228 may have any size, shape, or thickness. If additional liquid storage capacity is desired for the reduced pressure dressing 104, then a larger or thicker



absorbent layer 228 may be used. In another example, the size and thickness of the absorbent layer 228 may be reduced for space-saving, convenience, compactness, or cost considerations.

The reduced pressure dressing 104 may also include a diverter layer 232 disposed adjacent to the absorbent layer 228, a second manifold layer 236 disposed adjacent the diverter layer 232, and a liquid-air separator 240 disposed adjacent the second manifold layer 236. The diverter layer 232 includes a plurality of holes 247 through which reduced pressure from the reduced pressure source 110 (see FIG. 1) is applied. The reduced pressure is distributed to the diverter layer 232 by the second manifold layer 236. The holes 247 may be arranged in a pattern for applying the reduced pressure to portions of the absorbent layer 228 to enhance the capability of the absorbent layer 228 to continue transferring the reduced pressure to the tissue site 108 as it absorbs more fluid from the tissue site 108. In the embodiment illustrated in FIG. 3, the plurality of holes 247 are positioned in a pattern around a peripheral portion of the diverter layer 232 away from the center of the diverter layer 232 such that the reduced pressure is applied to the absorbent layer 228 away from a center region of the absorbent layer 228. The diverter layer 232 acts in conjunction with the first manifold layer 224 to ensure that the absorption capabilities and absorption efficiency of the absorbent layer 228 is increased relative to an absorbent layer that is not used in conjunction with a diverter layer. By providing better distribution of liquid throughout the absorbent layer 228, the diverter layer 232 also increases an amount of time over which the absorbent layer 228 is capable of manifolded reduced pressure in the dressing 104.

The diverter layer 232 may be made from any material that enhances the reduced pressure transmission and storage capabilities of an adjacent absorbent layer. For example, the diverter layer 247 may be made from a material that is substantially impermeable to liquid and gas. Alternatively, the material from which the diverter layer 232 is made may instead have a predetermined moisture vapor transfer rate that is consistent with gas permeability. In either example, the diverter layer 232 may still include a pattern of holes for transmitting a greater volume of liquid or gas than that permitted by the gas-permeable material of which the diverter layer 232 is constructed. It should be noted, however, that permeability of the diverter layer 232 to gas but not liquid may result in increased transmission of reduced pressure through the dressing while still directing liquid flow around or near the perimeter of the diverter layer 232.

In the embodiment illustrated in FIG. 3, the reduced pressure creates fluid flow through the holes 247. The fluid flow through holes 247 directs liquid pulled into the absorbent layer



228 away from a center region of the absorbent layer 228. The presence of holes 247 and the fluid flow through the holes 247 may also lessen the absorption rate of liquid in the center region of the absorbent layer 228 and allow the absorbent layer 228 to absorb liquid over a larger area. Thus, the gas and liquid are not limited only to traveling through the center of the absorbent layer 228 or other layers that may be disposed closer to the tissue site 108 than the diverter layer 232. Because both the gas and liquid are directed radially outward toward the edges of the absorbent layer 228, a greater portion of absorbent material is exposed to the liquid from the tissue site 108, and a larger portion of the absorbent layer 228 may therefore be used to store or trap a greater volume of the liquid.

The fuller utilization of the absorbent layer 228 allows for the reduced pressure dressing 104 to be used for a longer period of time without having to dispose the reduced pressure dressing 104. The need to distribute gas and liquid toward the edges of the absorbent layer 228 may be even greater in the presence of reduced pressure due to the speed at which liquid may flow away from the tissue site 108 through the reduced pressure dressing 104.

The diverter layer 232 has primarily been described as assisting in diverting reduced pressure or fluid flow to a perimeter region of the absorbent layer 228. Alternatively, the diverter layer 232 could instead be configured to assist in diverting reduced pressure to any particular region, i.e. a target region, of the absorbent layer 228 to encourage liquid absorption within the target region. For example, if a tissue site and a dressing were of a configuration that naturally resulted in liquid collection in a perimeter region of a particular absorbent layer, then a diverter layer could be configured to encourage liquid collection within the center region of the absorbent layer. In this particular example, the center region would be the target region.

Referring still to FIGS. 2 and 3, the second manifold layer 236 distributes the reduced pressure more uniformly across the surface of the diverter layer 232. The second manifold layer 236 may be made from any material capable of distributing or manifolding fluid. In one example, the second manifold layer 236 may be made from a same or similar material as the first manifold layer 224. In this example, the second manifold layer 236 may include a plurality of interconnected cells that form a porous foam. The second manifold layer 236 may also collect liquid, such as exudate, from the tissue site 108 that is not absorbed by the absorbent layer 228. The second manifold layer 236 may have any size, shape, or thickness.

In one embodiment of the reduced pressure dressing 104, the liquid-air separator 240 may be a hydrophobic filter that inhibits or prevents passage of liquids through the liquid-air



separator 240. Alternatively, the liquid-air separator 240 may be a gravity-based barrier system, or a device that includes a hydrophilic surface to encourage condensation or other separation of liquid from a fluid stream when the fluid stream passes over the surface. Other examples of liquid-air separators 240 may include sintered metals, sintered nylons, or any  
5 other material or device that is capable of separating liquid from a fluid stream, or that is otherwise capable of inhibiting or preventing the passage of liquid while allowing the passage of gases.

By restraining or preventing the flow of liquid, the liquid-air separator 240 prevents liquid from reaching the tubing adapter 116 or conduit 112 (see FIG. 1). By preventing liquid  
10 from reaching the conduit 112, the liquid-air separator 240 also prevents the liquid from reaching the reduced pressure source 110.

The liquid-air separator 240 may prevent the passage of reduced pressure to the tissue site 108 when the liquid-air separator 240 becomes saturated, clogged, blocked, and/or wetted with liquid from the tissue site 108. The liquid-air separator 240 may also prevent the passage  
15 of reduced pressure to the tissue site 108 when a layer that abuts the liquid-air separator 240 becomes saturated with liquid. For example, if the absorbent layer 228 abutted the liquid-air separator 240 in a particular embodiment, the saturation of the absorbent layer 228 with liquid may cause the liquid-air separator 240 to prevent the passage of reduced pressure. The presence of the diverter layer 232 between the liquid-air separator 240 and the absorbent layer  
20 228 prolongs the period of time before the liquid-air separator 240 blocks the passage of reduced pressure.

The liquid-air separator 240 may have any size, shape, or thickness. In one example, the liquid-air separator 240 may be smaller than other layers in the reduced pressure dressing 104 due to cost considerations. The liquid-air separator 240 may also be wider than the tubing  
25 adapter 116 and an aperture 260 in the cover 244 so that liquid from the tissue site 108 cannot reach the tubing adapter 116 or the aperture 260.

The cover 244 of the reduced pressure dressing 104 covers at least a portion of the reduced pressure dressing 104. In one embodiment, the cover 244 may fully cover the multiple layers of the reduced pressure dressing 104. In this embodiment, the cover 244 may  
30 secure or assist in securing the reduced pressure dressing 104 to the tissue site 108 and in maintaining a seal around the tissue site 108. In this respect, both the cover 244 and the seal layer 222 may work together to create a seal around the tissue site 108. The cover 244 may also provide a protective barrier for the reduced pressure dressing 104 and the tissue site 108.



In the embodiment illustrated in FIGS. 2 and 3, the cover 244 may cover and secure components and layers between the cover 244 and the diverter layer 232. In this embodiment, the cover 244 may be secured either adhesively or otherwise to the diverter layer 232. The diverter layer 232, which may be made from a similar material as the cover 244, is then  
5 secured to either or both of the seal layer 222 and the tissue at or near the tissue site 108. The diverter layer 232 in this embodiment secures and seals the components and layers beneath the diverter layer 232 at the tissue site 108.

In one embodiment, the cover 244 may be an adhesive drape. The adhesion of the cover 244 may be due to the nature of the material with which the cover 244 is made, or may  
10 be due to an adhesive layer disposed on a surface of the cover 244. Any portion of the cover 244 may include adhesive. For example, an entire tissue facing side of the cover 244 may include adhesive. When provided with adhesive, the cover 244 may adhere to at least a portion of the tubing adapter 116, the tissue surrounding the tissue site 108, or any layer or component of the reduced pressure dressing 104. In another embodiment, only the peripheral  
15 portions of the tissue facing side of the cover 244 may include adhesive. In this particular case, the adhesive-covered peripheral portions may be adapted to adhere to any of the diverter layer 232, the seal layer 222, and the tissue surrounding the tissue site 108.

In still another embodiment, the cover 244 may be designed such that the cover 244 will not adhere to wet surfaces, but will adhere to dry surfaces. Thus, when applying the cover  
20 244, the cover 244 will not stick to moistened gloves or hands, thereby permitting easier handling of the cover 244 until the cover 244 is placed on a dry tissue site, such as a dry periwound area. The cover 244 may be any size, shape, or thickness. In one example, the cover 244 may be larger than any layer or components of the reduced pressure dressing 104. In another example, the size of the seal layer 222 may be larger than the size of the cover 244.

25 Reduced pressure may be applied to the plurality of layers of the reduced pressure dressing 104 via the aperture 260 in the cover 244. In the example of FIGS. 2 and 3, the aperture 260 is shown to be centrally located on the cover 244. However, the aperture 260 may be located anywhere on the cover 244, including a peripheral portion of the cover 244 that is adjacent to an edge of cover 244. Although the aperture 260 is shown to be circular, the  
30 aperture 260 may have any shape. In one example, the shape of the aperture is adapted to contour to one or more portions of the tubing adapter 116.

The tubing adapter 116 provides an interface between conduit 112 and the reduced pressure dressing 104. In particular, the tubing adapter 116 fluidly communicates with the



conduit 112 such that the conduit 112 transfers reduced pressure to the reduced pressure dressing 104 and the tissue site 108 via the tubing adapter 116.

Referring to FIGS. 1 and 2, the tubing adapter 116 may be a conventional connector pad that is adapted to abut or be partially disposed within the aperture 260. Alternatively, the tubing adapter 116 may have a low profile dome shape, or the tubing adapter 116 may be any other shape. The low profile of the tubing adapter 116 may help to keep the reduced pressure dressing 104 compact and convenient for use by a user. The tubing adapter 116 includes a flange 266, which is disposed around the periphery of the tubing adapter 116. In the embodiment illustrated in FIGS. 2 and 3, the tissue facing side of the cover 244 near the aperture 260 may be adapted to adhere to the flange 266 such that the tubing adapter 116 is secured to at least one layer or component of the reduced pressure dressing 104.

Although not shown in FIGS. 2 and 3, in one embodiment the reduced pressure dressing 104 includes an odor filter. The odor filter retains or prevents odor from exiting the reduced pressure dressing 104. The odor filter may be a carbon odor filter, which may include charcoal. In one example, the odor filter is a charcoal cloth. The odor filter may be positioned anywhere in the reduced pressure dressing 104 such as, for example, between the cover 244 and the liquid-air separator 240.

The reduced pressure dressing 104 may further include an indicator (not shown) to alert a user when the reduced pressure dressing 104 has reached a full liquid storage capacity and needs to be removed from the tissue site 108. In one embodiment, the indicator may be a chemical or other substance that is capable of changing visual appearance or some other characteristic in the presence of moisture. For example, an indicator may be placed in one of the layers between the cover 244 and the absorbent layer 228 such that the indicator undergoes a visible color change when liquid has fully saturated the absorbent layer and is pulled through the absorbent layer into contact with the indicator. In one embodiment, the indicator may be a part of the liquid-air separator 240. The indicator may instead be a part of a separate indicator layer that is positioned anywhere in the dressing to signal the presence of moisture in a particular area. The indicator may cooperate with another layer of the dressing that is transparent to allow a user to view the location at which the indicator is positioned.

Although the cover 244, the liquid-air separator 240, the manifolds 224 and 236, the diverter layer 232, the absorbent layer 228, the seal layer 222, and the interface layer 220 have substantially square shapes in FIG. 3, each of these components, as well as other layers disclosed herein with respect to other embodiments, may have any shape as required to



provide adequate reduced pressure therapy to the tissue site 108. For example, these components and layers may be polygonal, rectangular, circular, ovular, an irregular shape, a customized shape, or any other shape.

While the various layers of the reduced pressure dressing 104 have been described as being “adjacent” to other layers, the term “adjacent” may refer to the layers being immediately adjacent, or alternatively that the layers may be positioned with other intervening layers in between. The term “layer” generally refers to portions or regions of the dressing that have different material properties or functions than other portions or regions of the dressing (i.e. other layers). The term “layer” is not meant to be spatially limiting however. The properties and functions associated with a particular layer may be combined with the properties and functions of another layer such that a single layer having multiple and different properties and functions is created. More specifically, for example, two or more layers may be physically or chemically bonded or combined to create a single layer without affecting the original material properties or functions of the original components. Conversely, a particular layer of the dressings described herein may be broken into two or more layers that each have similar properties or functions.

Referring more specifically to FIG. 2, the specific arrangement of the multiple layers of the reduced pressure dressing 104 is described in more detail. A tissue facing side 316 of the interface layer 220 is shown to be abutting the tissue site 108. In one example, the tissue facing side 316 of the interface layer 220 has an uneven surface that promotes granulation of the tissue site 108 when reduced pressure is applied through the interface layer 220. The uneven surface include a fibrous surface that causes microstresses and strains on the tissue site 108.

The seal layer 222 may be disposed anywhere between the cover 244 and interface layer 220, including between the absorbent layer 228 and interface layer 220. In the example of FIG. 2, the seal layer 222 is disposed between the first manifold layer 224 and the interface layer 220 such that a portion of a tissue facing side 327 of the seal layer 222 abuts the interface layer 220. In particular, the tissue facing side of an inner edge of the seal layer 222 that forms the aperture 231 abuts the interface layer 220.

The seal layer 222 also includes overhanging portions 329, which extend past the edges of the interface layer 220. The overhanging portions 329 may be adapted to adhere or otherwise contact the tissue site 108 such that a seal is created at a portion of the tissue site



108. For example, the overhanging portion 329 may adhere or otherwise contact a periwound area surrounding a wound site such that a seal is created at the wound site.

The first manifold layer 224 may also be disposed anywhere in the reduced pressure dressing 104. In one example, the first manifold layer 224 is disposed between the interface layer 220 and the absorbent layer 228. In the non-limiting example of FIG. 3, the first manifold layer 224 is disposed between the seal layer 222 and the absorbent layer 228. In particular, a portion of a tissue facing side 336 of the first manifold layer 224 abuts the aperture 231 of the seal layer 222. In this example, a drape facing side 337 of the first manifold layer 224 abuts the absorbent layer 228.

In the embodiment illustrated in FIG. 2, the absorbent layer 228 is shown to be disposed between the diverter layer 232 and the first manifold layer 224. A tissue facing side 342 of the absorbent layer 228 abuts the first manifold layer 224. A drape facing side 343 of the absorbent layer 228 abuts the diverter layer 232. In one example, the diverter layer 232 may be disposed between the absorbent layer 228 and the cover 244. A tissue facing side 347 of the diverter layer 232 abuts the absorbent layer 228. A drape facing side 348 of the diverter layer 232 abuts the second manifold layer 236.

The second manifold layer 236 may be disposed between the absorbent layer 228 and the cover 244, or between the diverter layer 232 and the cover 244. In FIG. 2, the second manifold layer 236 is disposed between the liquid-air separator 240 and the diverter layer 232. A tissue facing side 352 of the second manifold layer 236 abuts the diverter layer 232. A drape facing side 353 of the second manifold layer 236 abuts the liquid-air separator 240.

The liquid-air separator 240 may be disposed between the absorbent layer 228 and the cover 244, or between the second manifold layer 236 and the cover 244. In FIG. 2, a tissue facing side 356 of the liquid-air separator 240 abuts the second manifold layer 236. A portion of a drape facing side 357 of the liquid-air separator 240 abuts the tubing adapter 116.

A tissue facing side 351 of the tubing adapter 116 abuts the liquid-air separator 240. Also, a portion of the tubing adapter 116 is shown to protrude from an aperture in the cover 244. The flange 266 of the tubing adapter 116 is sandwiched between the cover 244 and the liquid-air separator 240 such that the cover 244 secures the tubing adapter 116 to at least one of the plurality of layers, such as the liquid-air separator 240. As illustrated in FIG. 2, the liquid-air separator 240 may be wider than the aperture 260 in the cover 244, and the second manifold layer 236 may be wider than the liquid-air separator 240.



The cover 244 may cover all or a part of the reduced pressure dressing 104. For example, the ends of the cover 244 may terminate at a location on the overhanging portions 329 of the seal layer 222. As indicated by the broken lines 380, the cover 244 may also terminate at a location on the tissue site 108.

5 Referring to FIGS. 4, the diverter layer 232 includes a pattern of holes, or other apertures for applying the reduced pressure to portions of the absorbent layer 228 (not shown). The holes have different diameters. More specifically, the diameter of holes 450 are larger than the diameter of holes 247. In operation, the diverter layer 232 channels more reduced pressure to the corners of a square absorbent layer 228 to further enhance the transmission  
10 capability of the absorbent layer 228 because the corners are the last portion of the absorbent layer 228 to fill with liquid as liquid diffuses radially outward from the center of the absorbent layer 228.

Referring to FIGS. 5 and 6, a diverter layer 545 according to an illustrative embodiment may be made from any material that expands on contact with a liquid. For  
15 example, the diverter layer 545 may be made from a hydrogel. The diverter layer 545 may also include a hydrocolloid, silicon, or silicone material. The diverter layer 545 includes holes 547, or other apertures. The length of each of the arrows extending from each of the holes 547 represents the relative amount of flow or reduced pressure allowed through the holes. In FIG. 5, an equal amount of flow or reduced pressure is transferred through each of the holes 547.

20 In some reduced pressure applications, the tissue may produce more exudate at an area away from the center of the dressing. In these cases, a greater amount of liquid may pass through a portion of the holes 547 that are positioned over the main point of exudation. In the example of FIG. 6, the main point of exudation occurs nearer to holes 648. Thus, the holes 648 are shown to be smaller, swelling, or substantially closed off due to contact with liquid  
25 from the tissue site. The restriction of the holes 648 causes a preferential flow through the remaining holes 547, thereby equalizing flow across an adjacent absorbent layer in the dressing. In particular, the holes 547 of diverter layer 545 as shown in FIG. 6 transmit a greater amount of reduced pressure than the holes 648. By equalizing flow and reduced pressure in such a manner, an absorbent layer, such as absorbent layer 228 in FIGS. 2 and 3,  
30 may be more fully utilized no matter the location of the main point of exudation at the tissue site, or the pattern with which the liquid is absorbed by the absorbent layer.

Referring to FIGS. 7 and 8, a diverter layer 745 according to an illustrative embodiment includes a plurality of ridges 785 protruding from a surface of the diverter layer



745 and extending radially outward from the center to a periphery of the diverter layer 745 to form or define a plurality of channels 787 therebetween. The ridges 785 may be curved and may converge at a central portion of the diverter layer 745. The ridged face of the diverter 745 abuts an absorbent layer (not shown) so that the channels 787 are closed to form passages 887 and 888 (FIG. 8) extending radially between the center portion and periphery of the diverter layer 745. In FIG. 8, each of the passages 887 are shown to be unobstructed, and therefore a substantially equal amount of reduced pressure freely flows through each one. However, in some reduced pressure applications, liquid from the tissue site 108 (not shown) fills and obstructs the passages 888. This may occur, for example, when a main point of exudation from the tissue site is located away from the center of the dressing, including the diverter layer 745. Because a greater amount of liquid flows through the passages 888 than the passages 887, the passages 888 fill with the liquid and become obstructed by the saturated portions of the absorbent layer 228 abutting the passages 888 as indicated by shaded portions 889. Thus, as indicated by the arrows on the diverter layer 745, a greater amount of reduced pressure is applied through the passages 887 than the obstructed passages 888. The passages 887 then become a preferential path for the reduced pressure and fluid flow until all of the absorbent layer 228 adjacent the diverter layer 745 is saturated. By equalizing flow in such a manner, the absorbent layer 228 is more fully utilized regardless of the location of the main point of exudation on the tissue site, or the pattern with which the liquid is absorbed by the absorbent layer 228.

Referring to FIG. 9, a diverter layer 945 is shown according to an illustrative embodiment. The diverter layer 945 includes a pattern of holes 947, or other apertures around a periphery of the diverter layer 945. However, in contrast to the diverter layer 232 of FIGS. 2 and 3, the diverter layer 945 includes a portion 931 that does not include holes 947. The portion 931 is capable of being aligned with a tubing adapter (similar to tubing adapter 116) that is positioned off-center. Because reduced pressure is applied to the dressing via the tubing adapter, the presence of holes directly underneath the tubing adapter, even with one or more intervening layers, may result in a larger than desired portion of the reduced pressure being applied to the holes adjacent and underneath the tubing adapter. Eliminating holes in the portion 931 of the diverter layer 945 that is adjacent and underneath the tubing adapter applies the reduced pressure through all of the remaining holes 947 to more evenly distribute the reduced pressure to the absorbent layer 228.



While the diverter layers of FIGS. 4-9 have been illustrated and described as including substantially circular holes, the diverter layers may instead include apertures of any shape or size, including for example slots, slits, channels, perforations, or any other apertures.

Alternatively, a diverter layer may be provided without apertures that instead is sized to be smaller in perimeter dimension and/or surface area than the absorbent layer. A diverter layer having a length or width less than a length or width of the absorbent layer would ensure fluid flow travels around perimeter edges of the diverter layer, thus having the same effect as placement of apertures near an edge of a larger diverter layer.

Referring to FIG. 10, a reduced pressure dressing 1000 is shown according to an illustrative embodiment. The reduced pressure dressing 1000 is similar to the reduced pressure dressing 104 of FIGS. 2 and 3. The reduced pressure dressing 1000 is not shown with the tubing adapter 116 or the cover 244 of FIGS. 2 and 3, but includes the absorbent layer 228 and the diverter layer 232. The reduced pressure dressing 1000 further includes a heat/moisture exchange (HME) foam 1015, which is a non-limiting example of the interface layer 220 in FIGS. 2 and 3. The HME foam 1015 may be a hydrophilic foam that wicks liquid from the tissue site 108. The HME foam 1015 may also distribute reduced pressure to the tissue site. In one example, the tissue-facing side of the HME foam 1015 has an uneven surface such that granulation is promoted at the tissue site 108 when reduced pressure is applied through the HME foam 1015. Each of the arrows in FIG. 10 represents the flow of either or both of gas or liquid when reduced pressure is applied to the reduced pressure dressing 1000. The arrows illustrate how the diverter layer 232 facilitates the distribution of gas and liquid throughout the reduced pressure dressing 1000 to more effectively utilize the absorbent layer 228. For example, the arrows show that the presence of the diverter layer 232 causes liquid to be drawn radially outward toward the edges of the absorbent layer 228 to more fully utilize the absorbent capacity of the absorbent layer 228.

The reduced pressure dressing 1000 also includes a second absorbent layer 1040 disposed adjacent the diverter layer 232 on a side opposite the first absorbent layer 228, and a second HME layer 1041 disposed adjacent the opposite side of the second absorbent layer 1040. The second HME layer 1041 may be an open-celled and/or hydrophilic foam. In one example, the HME layer 1041 is made of the same material as the HME foam 1015. Liquid from the tissue site 108 (not shown) is absorbed and drawn into the HME foam 1015 and transferred to the absorbent layer 228. The liquid is absorbed by the absorbent layer 228, and is pulled through the holes 247 of the diverter layer 232, thereby spreading the liquid and



leading to higher utilization of the absorbent layer 228. In the non-limiting example in which a hydrogel diverter layer, such as diverter layer 545 in FIG. 5, is used in lieu of the diverter layer 232, gel blocking can occur at the holes 247 so that liquid is forced to move around in the absorbent layer 228 and is distributed. The second absorbent layer 1040 further absorbs any liquid flowing through the diverter layer 232 while the second HME layer 1041 manifolds a reduced pressure across the second absorbent layer 1040. In some cases, the second HME layer 1041 may be subjected to compression forces when reduced pressure is applied through the reduced pressure dressing 1000. Despite such compression forces, the second HME layer 1041 may still contain open pressure channels that allow the second HME layer 1041 to transfer reduced pressure to other parts of the reduced pressure dressing 1000. A filter, such as liquid-air separator 240, may be positioned above the HME layer 1041 to restrain or prevent the liquid from leaving the reduced pressure dressing 1000.

Referring to FIGS. 11 and 12, a drape 1125, or cover, is provided that may be used with a reduced pressure dressing such as, for example, reduced pressure dressing 104 of FIGS. 1-3. The drape 1125 includes an elastic portion 1110. The elastic portion 1110 is centrally located on the drape 1125. The elastic portion 1110 may be made from any elastic material. Also, although FIGS. 11 and 12 do not show an aperture on the elastic portion 1110, the elastic portion 1110 may include an aperture, such as the aperture 260 in FIG. 2. The aperture may be located anywhere on the elastic portion 1110. The elastic portion 1110 is bonded to a peripheral portion 1115 at a bonding area 1120. The bond at the bonding area 1120 may be formed using any bonding technique. For example, the elastic portion 1110 may be glued or otherwise adhered to the peripheral portion 1115 at the bonding area 1120.

The peripheral portion 1115 may be made from any material, including an elastic or a non-elastic material. In one example, the peripheral portion 1115 includes an aperture. A tissue facing side 1122 of the peripheral portion 1115 may include an adhesive so that the drape 1125 may be used to cover and secure one or more layers, such as the layers of reduced pressure dressing 104. In another embodiment, both the elastic portion 1110 and the peripheral portion 1115 may be made from the same material and be continuous with one another so that no bond is needed between the elastic portion 1110 and the peripheral portion 1115 at the bonding area 1120.

As illustrated in FIG. 12, the elastic portion 1110 may expand to a plurality of positions, from an unexpanded position shown by the solid line to an expanded position 1110a shown by the broken line. As the reduced pressure dressing with which the drape 1125 is used



fills with liquid, the elastic portion 1110 moves to the expanded position 1110a. The ability of the drape 1125 to move to the expanded position 1110a allows for additional room in the reduced pressure dressing for the storage of liquid from the tissue site 108 (not shown).

As an alternative to a drape having an elastic portion, the drape 1125 may instead be made from an inelastic material that is capable of plastically deforming into an expanded position as fluid is collected in a dressing. The drape 1125 may instead include a combination of elastic and inelastic materials, and expansion may be based on both elastic and plastic deformation of the materials.

Referring to FIG. 13, a drape 1325, or cover, includes a pleated portion 1310 that is centrally located on the drape 1310. The pleated portion 1310 may be made from an elastic or a non-elastic material. The pleated portion 1310 also includes one or more corrugations 1312, or ridges. The corrugations may be located on any or all sides of the pleated portion 1310. Also, although FIG. 13 shows one corrugation on each side of the pleated portion 1310, each side of the pleated portion 1310 may include any number of corrugations, which may form a bellows-like structure. The pleated construction of the pleated portion 1310 allows the pleated portion 1310 to expand as liquid is stored in an underlying reduced pressure dressing.

The drapes 1125 and 1325 of FIGS. 11-13 are capable of expanding to accommodate fluid collection and storage in a reduced pressure dressing. It is also important to note that the drapes 1125 and 1325 are capable of maintaining reduced pressure in the dressing before, during, and after expansion.

Referring to FIGS. 14 and 15, interface layers 1400 and 1500 are illustrated according to illustrative embodiments. The interface layers 1400 and 1500 are tearable sheets of foam material that include kiss-cut perforations 1405 and 1505 that allow for the easy tearing and sizing of the interface layers 1400 and 1500 for use in a dressing, such as reduced pressure dressing 104. In one example, when the interface layers 1400 and 1500 are kiss-cut, the cutting die penetrates through most of the thickness of the foam material, but not fully. This provides a weakened path to tear along, while still allowing the foam to maintain a shape. In FIG. 14, the kiss-cut perforations 1405 are a series of concentric circles. A properly sized interface layer may be torn along any one of the concentric circles. In FIG. 15, the kiss-cut perforation 1505 is a continuous spiral-like perforation. The kiss-cut perforation 1505 may be torn along this continuous perforation as needed to size the interface layer prior to use with the dressing.



The kiss-cut perforations 1405 and 1505 provide a weakened path along which the interface layer may be torn. When a portion of the interface layers 1400 and 1500 is used in a dressing, the interface layer may still have some perforations remaining. However, despite having these perforations, the interface layer is still able to maintain a desirable shape and effectively perform the functions of the interface layer described herein.

Referring to FIG. 16, a graph 1600 that shows example characteristics of a reduced pressure dressing is shown. The graph 1600 illustrates a drop in pressure measured as a function of time at an interface layer of a reduced pressure dressing to which fluid is added at about 2 milliliters per hour. In particular, the graph 1600 shows a pressure measured at an interface layer of a dressing that is about 8 cm<sup>2</sup> and includes an HME foam with a secondary Super Absorbent Fiber layer dressing mounted on a large tube during the test. The reduced pressure applied to the dressing throughout the test is a consistent 125 mmHg. As time passes and the dressing fills with fluid, the pressure eventually drops at the interface layer as the dressing is no longer able to adequately manifold reduced pressure. The graph 1600 represents characteristics of only one particular reduced pressure dressing, and other illustrative embodiments of the dressing described herein may exhibit different characteristics than those shown in the graph 1600.

Referring to FIG. 17, a dressing 1700 according to an illustrative embodiment includes an interface layer 1715. In contrast to the interface layer 220 in FIG. 2, the interface layer 1715 has a larger size relative to the other layers in the dressing. The dressing 1700 includes an absorbent layer 228 above the tissue interface layer 1715, and a diverter layer 232 above the absorbent layer 228. In contrast to the reduced pressure dressing 104, the dressing 1700 includes another absorbent layer 1740 above the diverter layer 232. The absorbent layer 1740 is similar to the absorbent layer 228. The absorbent layer 1740 may be added to increase the absorbency of the dressing 1700. The absorbent layer 1740 may also be used to catch liquid that travels past or escapes from the absorbent layer 228.

The dressing 1700 includes a second manifold layer 236 above the absorbent layer 1740, and a liquid-air separator 240 above the second manifold layer 236. The dressing 1700 also includes a seal layer 1724 (similar to the seal layer 222 of FIG. 2) above the liquid-air separator 240. The seal layer 1724 has a circular aperture 1730, although the circular aperture 1730 may be any shape. The dressing 1700 may also include a tubing adapter 1740 and a cover 244. The tubing adapter 1740 may be a low-profile dome shape or any other shape.



In one embodiment, the components of the dressing 1700 that are adapted to contact a tissue site are the tissue interface layer 1715, the seal layer 1724, and the cover 244. However, the components of the dressing 1700 may be sized such that any of the components may come into contact with the tissue site.

5 In another illustrative embodiment, a method is provided for collecting fluid in a dressing positioned at a tissue site. The method includes applying a reduced pressure to the tissue site through the dressing, absorbing liquid from the tissue site, and storing the liquid in the dressing. The method further includes preventing the liquid from exiting the dressing. In one embodiment, the step of absorbing liquid from the tissue site is accomplished with an  
10 absorbent layer similar to the absorbent layers described herein. The method may further comprise diverting reduced pressure to a target region of the absorbent layer to increase an absorption efficiency associated with the absorbent layer. Diversion of the reduced pressure to the target region may also increase an amount of time that the absorbent layer is able to distribute reduced pressure.

15 The illustrative embodiments of reduced pressure dressings described herein may contain a diverter layer to ensure that even pressure distribution is maintained as an absorbent layer absorbs fluid. The diverter layer also promotes the efficient use of the absorbent material in the dressing. The illustrative embodiments may also contain a porous hydrophobic filter that prevents the dressing from allowing liquid, such as exudate, from entering a tubing and  
20 helping to ensure pressure distribution. The construction of the dressing and the sequence of layers in the illustrative embodiments helps to ensure the optimal absorbency of the dressing combined with the communication of reduced pressure to the tissue site.

Current wound dressings are designed to absorb liquid to maintain a moist wound environment while minimizing the risk of maceration, but are unsuited to adequately manifold  
25 reduced pressure. Current dressings that are not currently used with reduced pressure will not normally transmit pressure to a tissue site. These current dressings are designed only to absorb fluid and are routinely changed. The dressings described in the illustrative embodiments are adapted to provide therapy and more absorbent capacity both with and without reduced pressure, and may be applied to a large variety of wounds, including low-  
30 severity wounds and low-exudating wounds. The dressings described in the illustrative embodiments will allow reduced pressure tissue therapy without impacting the dressings' absorbency.



Without the diversion provided by components such as the diverter layer, liquid may be absorbed by the absorbent layer and concentrated into a restricted area around the point of exudation. This may lead to large amounts of the absorbent layer being unused. For example, when a reduced pressure source of 125 mmHg is connected to a reduced pressure dressing, the absorbent material may release some of the absorbed liquid, which will bypass the rest of the absorbent area and be drawn directly into the tube that connects the reduced pressure source to the dressing. At this point, the dressing may cease to absorb any more liquid, and as the liquid enters the tube, the dressing's ability to transmit reduced pressure to the tissue site is impaired. Furthermore, this may occur when only a fraction of the target fluid quantity has been absorbed. However, by using a diverter layer and other layers described herein, the efficiency of the absorbent layers may be increased so that the reduced pressure dressing is capable of absorbing more liquid and manifolded reduced pressure for a longer period of time.

The components of the reduced pressure dressings described herein are illustrated in a non-limiting spatial configuration that may be altered depending on the implementation. Although the figures show components of the reduced pressure dressings in a particular order, the components may have any order depending on the implementation. Similarly, the inclusion or exclusion of any particular component may vary depending on the particular application.

#### **Dressing with Integrated Pump**

The reduced pressure dressings and components in FIGS. 1-17 have been described as being adapted for connection to a reduced pressure source external to the dressing. However, the reduced pressure dressings described herein are also capable of incorporating an integrated pump, i.e. a pump positioned within or between layers of the dressing, to deliver reduced pressure through the layers of the dressing to the tissue site.

Referring to FIG. 18, a reduced pressure treatment system 1800 according to an illustrative embodiment includes a reduced pressure dressing 1804 positioned at a tissue site 1808 of a patient. The reduced pressure dressing 1804 includes a reduced pressure pump 1810 that is integrated into the reduced pressure dressing 1804. In addition to the reduced pressure pump 1810, other components may also be integrated into the dressing, including without limitation sensors, processing units, control units, alarm indicators, memory, databases, software. Additionally, the reduced pressure dressing 1804 may include interfaces (wireless or wired) that allow fluid communication between components within the dressing 1804 and components that may be outside of the dressing 1804. In one non-limiting example, the



interface may be a USB port. The external components may include without limitation control units, display units, battery chargers, and user interfaces that further facilitate the application of reduced pressure treatment to the tissue site 1808. Delivery of reduced pressure to the reduced pressure dressing 1804 and tissue site 1808 by the reduced pressure pump 1810 encourages new tissue growth by maintaining drainage of exudate from the tissue site, increasing blood flow to tissues surrounding the tissue site, and creating microstrain at the tissue site.

Referring to FIGS. 19 and 20, the reduced pressure dressing 1804 includes an interface layer 1920 adapted to be positioned at the tissue site 1808, and a seal layer 1922 to seal the reduced pressure dressing 1804 around the tissue site 1808. A first manifold layer 1924 is positioned in fluid communication with the interface layer 1920 to distribute the reduced pressure to the interface layer 1920 and the tissue site 1808. An absorbent layer 1928 is positioned in fluid communication with the first manifold layer 1924 to absorb liquid from at least one of the first manifold layer 1924, the interface layer 1920, and the tissue site 1808. A diverter layer 1932 positioned adjacent the absorbent layer 1928. A second manifold layer 1936 is positioned in fluid communication with the diverter layer 1932, and a liquid-air separator 1940 is positioned adjacent the second manifold layer 1936. A cover 1944, or drape, is positioned adjacent the second liquid-air separator 1940. An indicator and odor filter may also be positioned within the reduced pressure dressing 1804.

The multiple layers of reduced pressure dressing 1804 are similar in shape, size, positioning, and function to the layers of any of the other reduced pressure dressings described herein. In addition to the layers of dressing 1804 listed above, the reduced pressure dressing 1804 includes a pump 1810 that may be integrated into the dressing between the liquid-air separator 1940 and the cover 1944. The pump 1810 may be a micropump that is small and light enough such that the integrated reduced pressure dressing 1804 is able to be maintained on the tissue site 1808. Furthermore, the size and weight of the pump 1810 should be such that the integrated reduced pressure dressing 1804 does not pull or otherwise adversely affect the tissue site 1808. In one embodiment, the pump 1810 may be a disk pump having a piezoelectric actuator similar to that described in International Patent Application No. PCT/GB2006/001487, published as WO 2006/111775, which is hereby incorporated by reference. In an alternative embodiment, the pump 1810 may be a peristaltic pump that is used for pumping a variety of fluids. It should be understood that alternative pump



technologies may be utilized and that rotary, linear, or other configurations of pumps may be utilized.

The pump 1810 may be used to create enough reduced pressure to be “therapeutic” for wound therapy. In one embodiment, the pump 1810 has sufficient flow, vacuum, and operation life characteristics to enable continuous application of reduced pressure treatment. The flow may range between about 5-1000 ml/min, the vacuum may range between about 50-200 mmHg, and continuous operating life may last greater than 20 hours. It should be understood that alternative ranges may be utilized depending on the configuration of the integrated reduced pressure dressing 1804, size of wound, type of wound, or otherwise. In one embodiment, multiple pumps may be positioned in a single dressing to deliver increased flow rates or vacuum levels as required. Alternatively, a selection of pumps having different operational capabilities and specifications may be kept on hand by a user or medical practitioner to allow optimization of a pump and dressing combination for a particular tissue site.

The pump 1810 is disposed within the dressing to avoid conduits and external canisters for collection of wound exudate. The pump 1810 may include a valve 1950 or outlet port to release air or exhaust out of the reduced pressure dressing 1804. If valve 1950 is used, the valve 1950 may be in fluid communication with, or may be positioned within, an aperture 1960 of the cover 1944. Alternatively, the cover 1944 may be sealed around an outlet port of the pump 1810 such that gas from the pump 1810 is able to exhaust directly through the aperture 1960. In the embodiment illustrated in FIGS. 18-20, the valve or outlet port of the pump 1810 is oriented in a direction away from the hydrophobic filter to avoid adding air to the wound dressing. The air exhausts through an aperture 1960 in the cover 1944, which may include a one-way valve. Alternatively, the air or other gas could be exhausted through a gas-permeable portion of the cover 1944 as long as the ability of the cover 1944 to maintain reduced pressure is not affected.

When a piezoelectric-driven pump is used in a dressing, the piezoelectric actuator associated with the pump may be driven at different frequencies to act as a buzzer or vibrating alert system. The alert system may be used to alert a user to an alarm condition such as the presence of a leak in the dressing, a change in reduced pressure as measured by a sensor, an indication that the dressing has absorbed a maximum capacity of liquid as may be indicated by an indicator, or an indication that one or more layer are no longer manifolding reduced pressure efficiently.



Control electronics 2024 may be utilized to control operation of the pump 1810. The control electronics 2024 may be analog and/or digital and be configured with a regulator (not shown) to regulate speed or duty cycle at which the pump 1810 operates. Furthermore, the control electronics 2024 may be configured with a controller (not shown) that receives sense signals from sensors or switches (not shown). The sensors may be disposed throughout the integrated reduced pressure dressing 1804 to sense parameters, such as pressure, temperature, moisture, chemistry, odor, or any other parameter that may be utilized in managing and controlling the pump 1810. In one embodiment, the control electronics 2024 include a computer processor. Alternatively, the control electronics 2024 may include a programmable gate array. Still yet, the control electronics 2024 may be formed of analog electronic components. It should be understood that the control electronics 2024 may include any form of digital and/or analog components to perform functionality as described herein.

As understood in the art, there are four basic parameters that are of concern when performing reduced pressure wound treatment, including (i) low pressure, (ii) excessive leak, (iii) level of absorbent layer, and (iv) battery state. Accordingly, the control electronics 2024 may include electronics that may be utilized to monitor each of the four basic parameters and generate an alarm signal (e.g., high-pitched beep, vibration, or light) using a speaker (not shown), vibrator (not shown), or illumination device (not shown), such as a light emitting diode (LED), to notify a medical professional, patient, or family member that a parameter is outside of a safe range. For example, if a pressure at the wound site is below a therapeutic level, a continuous tone may be generated. As another example, if the absorbent layer 1928 is saturated, then continuous beeps may be generated. Still yet, if the battery drops below a certain voltage level, then a different frequency may be generated and/or LED may be turned on. A variety of different alarm signals may be established to notify a medical professional to take a particular action.

A battery 2026 may be utilized to provide electric power to the pump 1810 and control electronics 2024. The battery 2026 may have any size and shape configuration and be of any material, such as polymer, to accommodate weight and size of the integrated reduced pressure dressing 1804, as previously described. In one embodiment, the battery 2026 may be rechargeable. In another embodiment, the battery 2026 may be disposed within or outside of the integrated reduced pressure dressing 1804 and be positioned in such a manner as to allow for easy replacement or recharging. In one embodiment, the battery 2026 may be configured with a voltage level sensor (not shown) that is monitored by the control electronics 2024 for



determination of a low power level. In one embodiment, the battery 2026 may be directly connected with the pump 1810. Alternatively, the battery 2026 may be connected to the control electronics 2024 that use power from the battery 2026 to drive the pump 1810. The control electronics 2024 may provide continuous power, modulated power, such as a  
5 pulsewidth modulated (PWM) signal, to drive the pump 1810.

The seal layer 1922 may be adhered to or otherwise connected to the cover layer 1944 that is used to drape or otherwise cover the integrated reduced pressure dressing 1804. The seal layer 1922 may include an aggressive or medical grade adhesive material that is strong enough to form a vacuum seal with skin around a wound of a patient. The seal layer 1922  
10 may be a band that has an opening 2032 that is slightly larger than the geometric parameters as the hydrophobic filter 2020 or other layer so that the cover layer 2030 may contact skin around the wound site of a patient. The cover layer 2030 may be impermeable to fluids, such as air and liquids. In one embodiment, the cover layer 2030 includes a valve 2034 to enable exhaust from the pump 1810 to be discharged from the integrated reduced pressure dressing 1804.  
15 The valve 2034 may be a one-way valve to minimize fluids from entering into the integrated reduced pressure dressing 1804 via the cover layer 2030.

In another embodiment, the seal layer 1922 may be adhered to the diverter layer 1932 and the diverter layer 1932 adhered to the cover 1944 to create an upper dressing portion and a lower dressing portion. The upper dressing portion may include the cover 1944, the pump  
20 1810 and related components, the liquid-air separator 1940, the second manifold layer 1936, and the diverter layer 1932. The lower dressing portion may include the absorbent layer 1928, the first manifold layer 1924, the seal layer 1922, and the interface layer 1920. In one embodiment, the reduced pressure dressing may be configured to allow replacement of the lower dressing portion once the dressing has absorbed a maximum capacity of fluid. The  
25 upper dressing portion may be reused after the lower dressing portion is replaced. This allows multiple use of the pump 1810, while disposable portions of the dressing may be replaced. In another embodiment, the pump 1810, control electronics 2024, and battery 2026 may be removed from the dressing for reuse and the remaining layers of the dressing replaced. In still another embodiment, the absorbent layer 1928 only may be replaced. In yet another  
30 embodiment, the absorbent layer 1928 and the interface layer 1920 only may be replaced.

A charcoal filter 2036 may be utilized in the integrated reduced pressure dressing 1804 to reduce odors created by the wound site and dispersed from the integrated reduced pressure dressing 1804. The charcoal filter 2036 may be disposed above a valve or other output vent



from the pump 1810 to filter exhaust from the pump 1810 prior to being released from the integrated reduced pressure dressing 1804. It should be understood that the charcoal filter 2036 may be alternatively configured and disposed above or below the pump 1810. Still yet, rather than using a charcoal filter, charcoal may be integrated into any or all of the different  
5 layers utilized in the integrated reduced pressure dressing 1804.

In another illustrative embodiment, a method for collecting liquid in a dressing positioned at a tissue site includes generating a reduced pressure using a pump positioned within the dressing. A liquid is absorbed from the tissue site and is stored in the dressing. The liquid is prevented from entering the pump. The method may further include maintaining the  
10 reduced pressure within the dressing and exhausting gas from the pump outside the dressing.

It should be apparent from the foregoing that an invention having significant advantages has been provided. While the invention is shown in only a few of its forms, it is not just limited but is susceptible to various changes and modifications without departing from the spirit thereof.



**CLAIMS**

We claim:

- Claim 1. A reduced pressure dressing for applying reduced pressure treatment to a tissue site, the reduced pressure dressing comprising:
- 5 an interface layer adapted to be positioned at the tissue site;  
an absorbent layer in fluid communication with the interface layer to absorb liquid from at least one of the interface layer and the tissue site;  
a pump in fluid communication with the absorbent layer to deliver a reduced pressure to the tissue site;
- 10 a cover positioned over the pump, the absorbent layer, and the interface layer to maintain the reduced pressure at the tissue site; and  
a liquid-air separator positioned between the absorbent layer and the pump to inhibit liquid from entering the pump.
- Claim 2. The reduced pressure dressing of claim 1, wherein the interface layer is
- 15 hydrophobic.
- Claim 3. The reduced pressure dressing of claim 1, wherein the absorbent layer includes a super absorbent fiber.
- Claim 4. The reduced pressure dressing of claim 1 further comprising a seal layer positioned between the cover and tissue at or near the tissue site.
- 20 Claim 5. The reduced pressure dressing of claim 1, wherein the pump is a piezoelectric-driven micropump.
- Claim 6. The reduced pressure dressing of claim 1 further comprising a battery and control electronics positioned within the dressing and operatively connected to the pump.
- Claim 7. The reduced pressure dressing of claim 1 further comprising an aperture in the
- 25 cover to allow exhausting of gas from the pump.
- Claim 8. The reduced pressure dressing of claim 1 further comprising an odor filter in fluid communication with an outlet port of the pump.



Claim 9. A reduced pressure dressing for applying reduced pressure treatment to a tissue site, the reduced pressure dressing comprising:

an interface layer adapted to be positioned at the tissue site;

an absorbent layer in fluid communication with the interface layer to absorb liquid

5 from at least one of the interface layer and the tissue site;

a pump in fluid communication with the absorbent layer to deliver a reduced pressure to the tissue site;

a diverter layer between the absorbent layer and the pump, the diverter layer including a plurality of apertures to transmit the reduced pressure from the pump to the absorbent layer ;

10

a cover positioned over the pump, the diverter layer, the absorbent layer, and the interface layer to maintain the reduced pressure at the tissue site; and

a liquid-air separator positioned between the diverter layer and the pump to inhibit liquid from entering the pump.

15 Claim 10. The reduced pressure dressing of claim 9, wherein the interface layer is hydrophobic.

Claim 11. The reduced pressure dressing of claim 9, wherein the absorbent layer includes a super absorbent fiber.

20 Claim 12. The reduced pressure dressing of claim 9, wherein a surface area of the diverter layer is greater than a surface area of the cover.

Claim 13. The reduced pressure dressing of claim 9, wherein:  
a surface area of the diverter layer is greater than a surface area of the cover; and  
at least a portion of the cover is adhesively coupled to the diverter layer and at least a portion of the diverter layer is coupled to a tissue surrounding the tissue site.

25

Claim 14. The reduced pressure dressing of claim 13 further comprising a seal layer positioned between the diverter layer and the tissue surrounding the tissue site.

Claim 15. The reduced pressure dressing of claim 9, wherein the apertures of the diverter layer are positioned near at least one perimeter edge of the diverter layer.



- Claim 16. The reduced pressure dressing of claim 9, wherein at least one of the apertures is larger than another of the apertures.
- Claim 17. The reduced pressure dressing of claim 9, wherein at least one of the apertures is configured to become smaller on contact with moisture.
- 5 Claim 18. The reduced pressure dressing of claim 9, wherein the diverter layer includes a plurality of ridges on a surface of the diverter layer to define a plurality of channels between the ridges.
- Claim 19. The reduced pressure dressing of claim 9, wherein the diverter layer allows the absorption capabilities of the absorbent layer to be more fully utilized.
- 10 Claim 20. The reduced pressure dressing of claim 9, wherein the diverter layer increases an amount of time over which the absorbent layer is capable of distributing reduced pressure.
- Claim 21. The reduced pressure dressing of claim 9, wherein the diverter layer is gas permeable.
- 15 Claim 22. The reduced pressure dressing of claim 9, wherein the pump is a piezoelectric-driven micropump.
- Claim 23. The reduced pressure dressing of claim 9 further comprising a battery and control electronics positioned within the dressing and operatively connected to the pump.
- Claim 24. The reduced pressure dressing of claim 9 further comprising an aperture in the  
20 cover to allow exhausting of gas from the pump.
- Claim 25. The reduced pressure dressing of claim 9 further comprising an odor filter in fluid communication with an outlet port of the pump.



Claim 26. A reduced pressure dressing for applying reduced pressure treatment to a tissue site, the reduced pressure dressing comprising:

an interface layer adapted to be positioned at the tissue site;

an absorbent layer in fluid communication with the interface layer to absorb liquid

5 from at least one of the interface layer and the tissue site;

a diverter layer adjacent the absorbent layer, the diverter layer formed from a

substantially gas-impermeable material, the diverter layer including a

plurality of apertures in fluid communication with the absorbent layer to

increase an amount of time that the absorbent layer is able to distribute

10 reduced pressure;

a pump in fluid communication with the plurality of apertures of the diverter layer

to deliver a reduced pressure to the tissue site;

a cover positioned over the pump, the diverter layer, the absorbent layer, and the

interface layer to maintain the reduced pressure at the tissue site; and

15 a liquid-air separator positioned between the diverter layer and the pump to inhibit

liquid from entering the pump.

Claim 27. The reduced pressure dressing of claim 26, wherein the interface layer is hydrophobic.

Claim 28. The reduced pressure dressing of claim 26, wherein the absorbent layer  
20 includes a super absorbent fiber.

Claim 29. The reduced pressure dressing of claim 26 further comprising a seal layer positioned between the cover and tissue surrounding the tissue site.

Claim 30. The reduced pressure dressing of claim 26, wherein a surface area of the diverter layer is greater than a surface area of the cover.

25 Claim 31. The reduced pressure dressing of claim 26, wherein:  
a surface area of the diverter layer is greater than a surface area of the cover; and  
at least a portion of the cover is adhesively coupled to the diverter layer and at least  
a portion of the diverter layer is coupled to a tissue surrounding the tissue  
site.



- Claim 32. The reduced pressure dressing of claim 31 further comprising a seal layer positioned between the diverter layer and the tissue surrounding the tissue site.
- Claim 33. The reduced pressure dressing of claim 26, wherein the apertures of the diverter layer are positioned near at least one perimeter edge of the diverter layer.
- 5 Claim 34. The reduced pressure dressing of claim 26, wherein at least one of the apertures is larger than another of the apertures.
- Claim 35. The reduced pressure dressing of claim 26, wherein at least one of the apertures is configured to become smaller on contact with moisture.
- 10 Claim 36. The reduced pressure dressing of claim 26, wherein the diverter layer includes a plurality of ridges on a surface of the diverter layer to define a plurality of channels between the ridges.
- Claim 37. The reduced pressure dressing of claim 26, wherein the diverter layer allows the absorption capabilities of the absorbent layer to be more fully utilized.
- 15 Claim 38. The reduced pressure dressing of claim 26, wherein the diverter layer increases an absorption efficiency of the absorbent layer.
- Claim 39. The reduced pressure dressing of claim 26, wherein the pump is a piezoelectric-driven micropump.
- Claim 40. The reduced pressure dressing of claim 26 further comprising a battery and control electronics positioned within the dressing and operatively connected to the pump.
- 20 Claim 41. The reduced pressure dressing of claim 26 further comprising an aperture in the cover to allow exhausting of gas from the pump.
- Claim 42. The reduced pressure dressing of claim 26 further comprising an odor filter in fluid communication with an outlet port of the pump.



Claim 43. A reduced pressure dressing for applying reduced pressure treatment to a tissue site, the reduced pressure dressing comprising:

an interface layer adapted to be positioned at the tissue site;

a first manifold layer in fluid communication with the interface layer;

5 an absorbent layer in fluid communication with the first manifold layer to absorb liquid from at least one of the first manifold layer, the interface layer, and the tissue site;

10 a diverter layer formed from a substantially gas-impermeable material, the diverter layer including a plurality of spaced apertures in fluid communication with the absorbent layer;

a second manifold layer in fluid communication with the diverter layer;

a pump in fluid communication with the second manifold layer to deliver a reduced pressure to the tissue site;

15 a cover positioned over the pump, the second manifold layer, the diverter layer, the absorbent layer, the first manifold layer, and the interface layer to maintain the reduced pressure at the tissue site; and

a liquid-air separator positioned between the second manifold and the pump to inhibit liquid from entering the pump.

20 Claim 44. The reduced pressure dressing of claim 43, wherein the interface layer is hydrophobic.

Claim 45. The reduced pressure dressing of claim 43, wherein the absorbent layer includes a super absorbent fiber.

25 Claim 46. The reduced pressure dressing of claim 43 further comprising a seal layer positioned between a tissue surrounding the tissue site and at least one other layer of the dressing to assist in maintaining reduced pressure in the dressing.

Claim 47. The reduced pressure dressing of claim 43, wherein a surface area of the diverter layer is greater than a surface area of the cover.



- 5 Claim 48. The reduced pressure dressing of claim 43, wherein:  
a surface area of the diverter layer is greater than a surface area of the cover; and  
at least a portion of the cover is adhesively coupled to the diverter layer and at least  
a portion of the diverter layer is coupled to a tissue surrounding the tissue  
site.
- Claim 49. The reduced pressure dressing of claim 48 further comprising a seal layer  
positioned between the diverter layer and the tissue surrounding the tissue site.
- Claim 50. The reduced pressure dressing of claim 43, wherein the apertures of the diverter  
layer are positioned near at least one perimeter edge of the diverter layer.
- 10 Claim 51. The reduced pressure dressing of claim 43, wherein the apertures are holes.
- Claim 52. The reduced pressure dressing of claim 43, wherein at least one of the apertures  
is larger than another of the apertures.
- Claim 53. The reduced pressure dressing of claim 43, wherein at least one of the apertures  
is configured to become smaller on contact with moisture.
- 15 Claim 54. The reduced pressure dressing of claim 43, wherein the diverter layer includes a  
plurality of ridges on a surface of the diverter layer to define a plurality of channels  
between the ridges.
- Claim 55. The reduced pressure dressing of claim 43, wherein the diverter layer allows  
the absorption capabilities of the absorbent layer to be more fully utilized.
- 20 Claim 56. The reduced pressure dressing of claim 43, wherein the diverter layer increases  
an amount of time over which the absorbent layer is capable of distributing reduced  
pressure.
- Claim 57. The reduced pressure dressing of claim 43, wherein the pump is a piezoelectric-  
driven micropump.
- 25 Claim 58. The reduced pressure dressing of claim 43 further comprising a battery and  
control electronics positioned within the dressing and operatively connected to the pump.



Claim 59. The reduced pressure dressing of claim 43 further comprising an aperture in the cover to allow exhausting of gas from the pump.

Claim 60. The reduced pressure dressing of claim 43 further comprising an odor filter in fluid communication with an outlet port of the pump.

5 Claim 61. A method for collecting liquid in a dressing positioned at a tissue site, the method comprising:

generating a reduced pressure using a pump positioned within the dressing;  
absorbing liquid from the tissue site and storing the liquid in the dressing; and  
preventing the liquid from entering the pump.

10 Claim 62. The method of claim 61, further comprising:  
maintaining the reduced pressure within the dressing.

Claim 63. The method of claim 61, further comprising:  
exhausting gas from the pump outside the dressing.

15 Claim 64. A reduced pressure dressing adapted to distribute a reduced pressure to a tissue site, the dressing comprising:

an interface layer adapted to be positioned at the tissue site;

an absorbent layer in fluid communication with the interface layer to absorb liquid  
from at least one of the interface layer and the tissue site;

20 a pump in fluid communication with the absorbent layer to deliver the reduced pressure to the tissue site;

a diverter layer positioned between the absorbent layer and the pump, the diverter layer formed from a substantially gas-impermeable material, the diverter layer having a surface area smaller than a surface area of the absorbent layer such that flow is directed around at least one perimeter edge of the diverter layer; and

25 a cover positioned over the diverter layer to maintain the reduced pressure at the tissue site.



Claim 65. A reduced pressure dressing adapted to distribute a reduced pressure to a tissue site, the dressing comprising:

an interface layer adapted to be positioned at the tissue site;

an absorbent layer in fluid communication with the interface layer to absorb liquid

5 from at least one of the interface layer and the tissue site;

a pump in fluid communication with the absorbent layer to deliver the reduced

pressure to the tissue site;

a diverter layer between the absorbent layer and the pump, the diverter layer formed

10 from a substantially gas-permeable, liquid impermeable material; and

a cover positioned over the diverter layer to maintain the reduced pressure at the

tissue site.



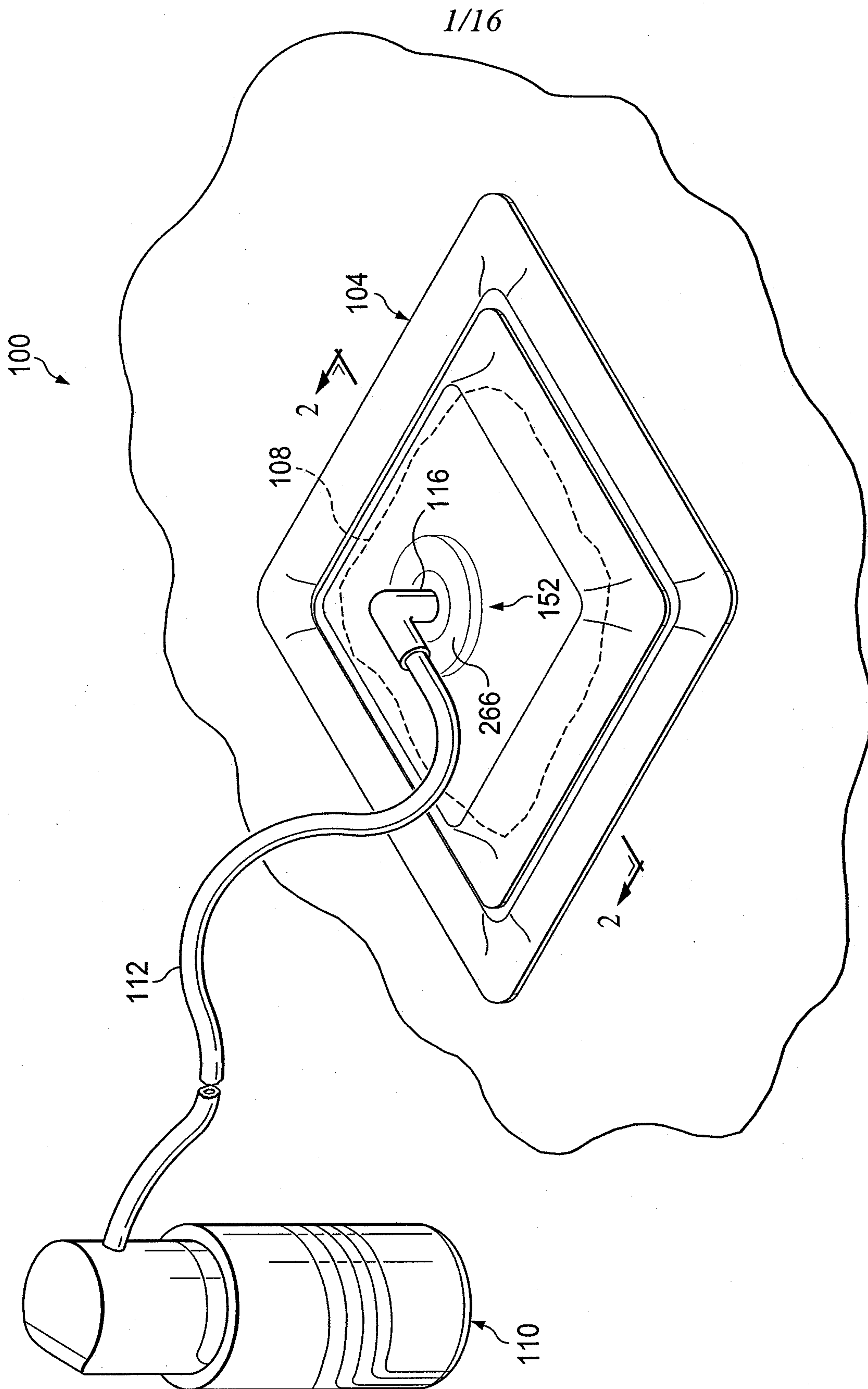


FIG. 1



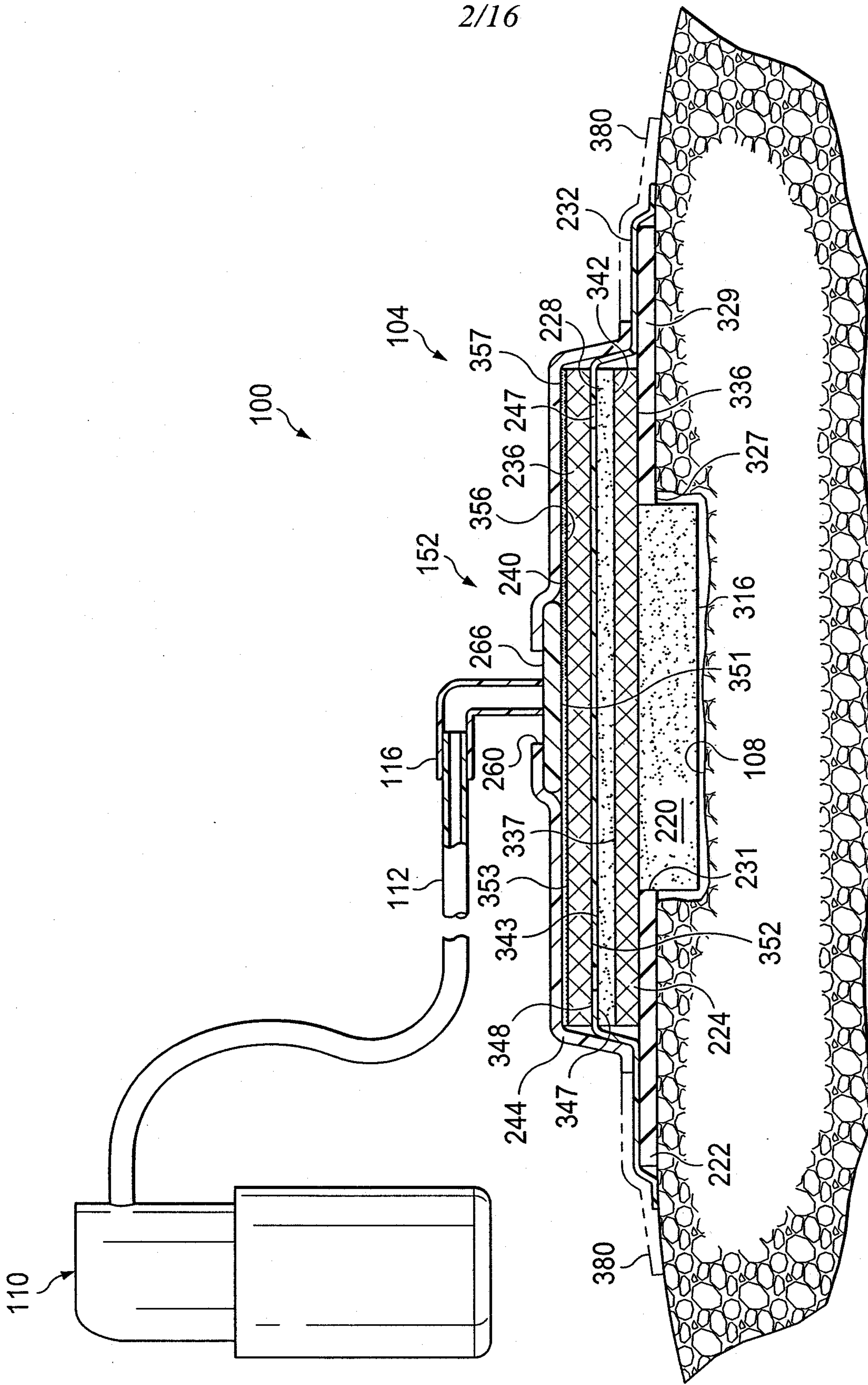


FIG. 2



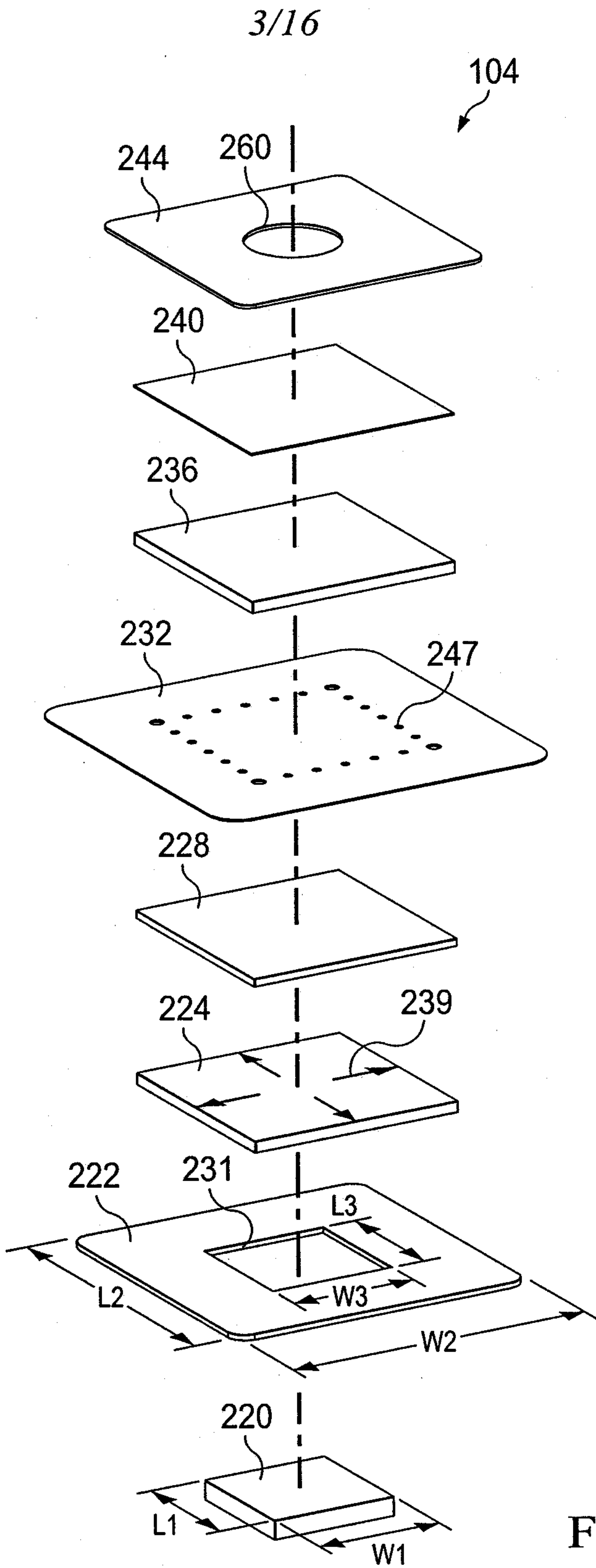


FIG. 3



4/16

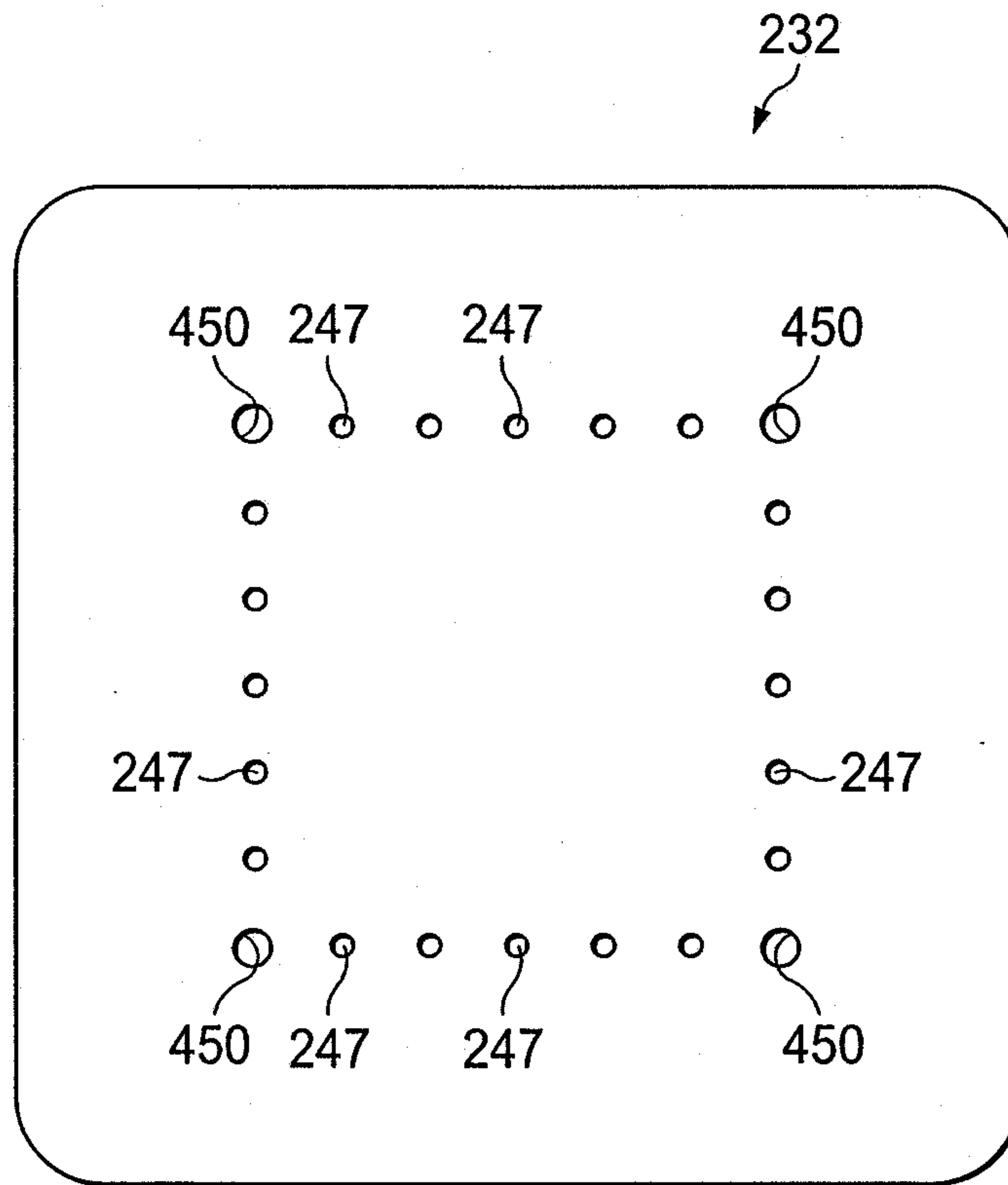


FIG. 4

5/16

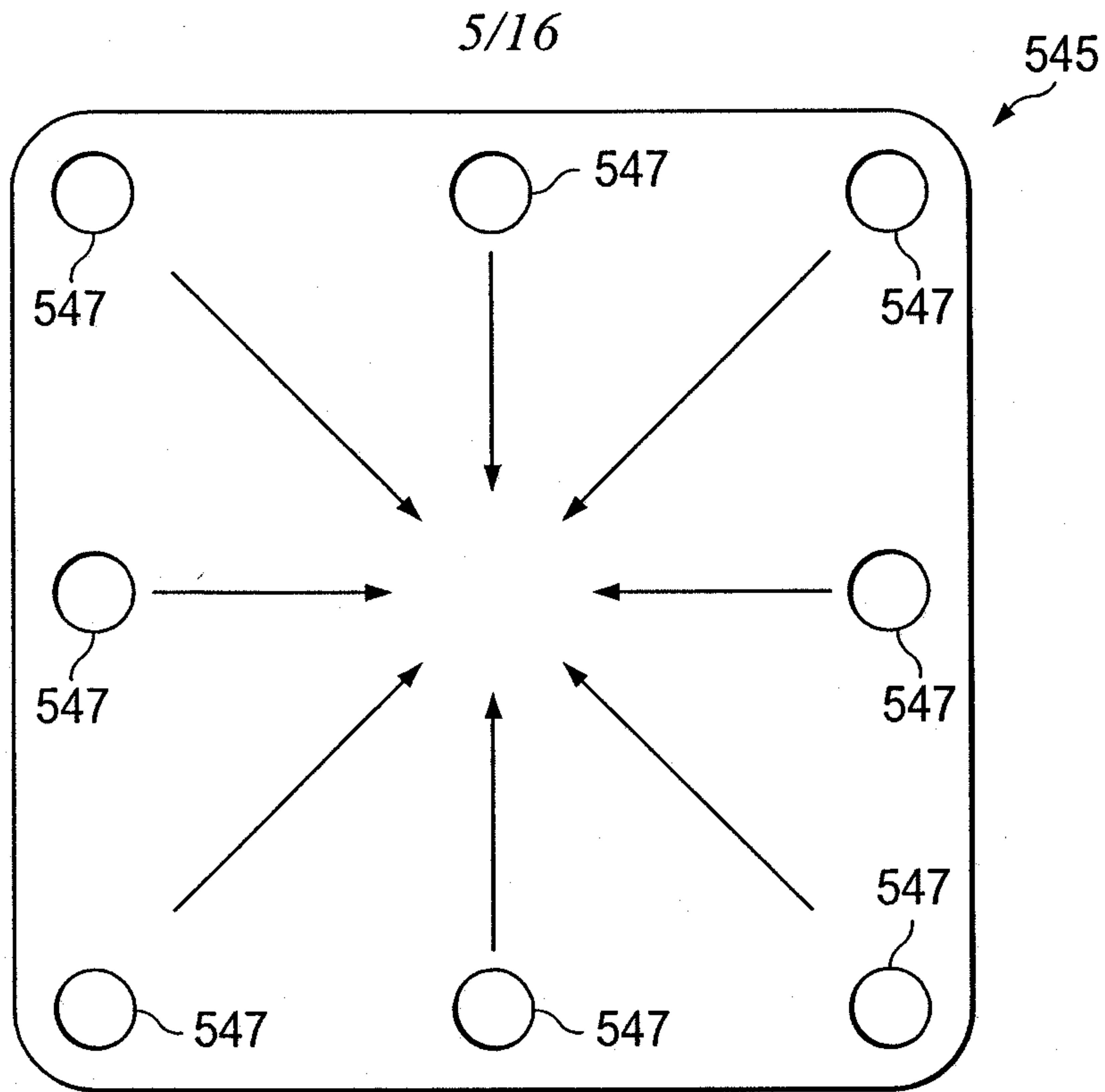


FIG. 5

545

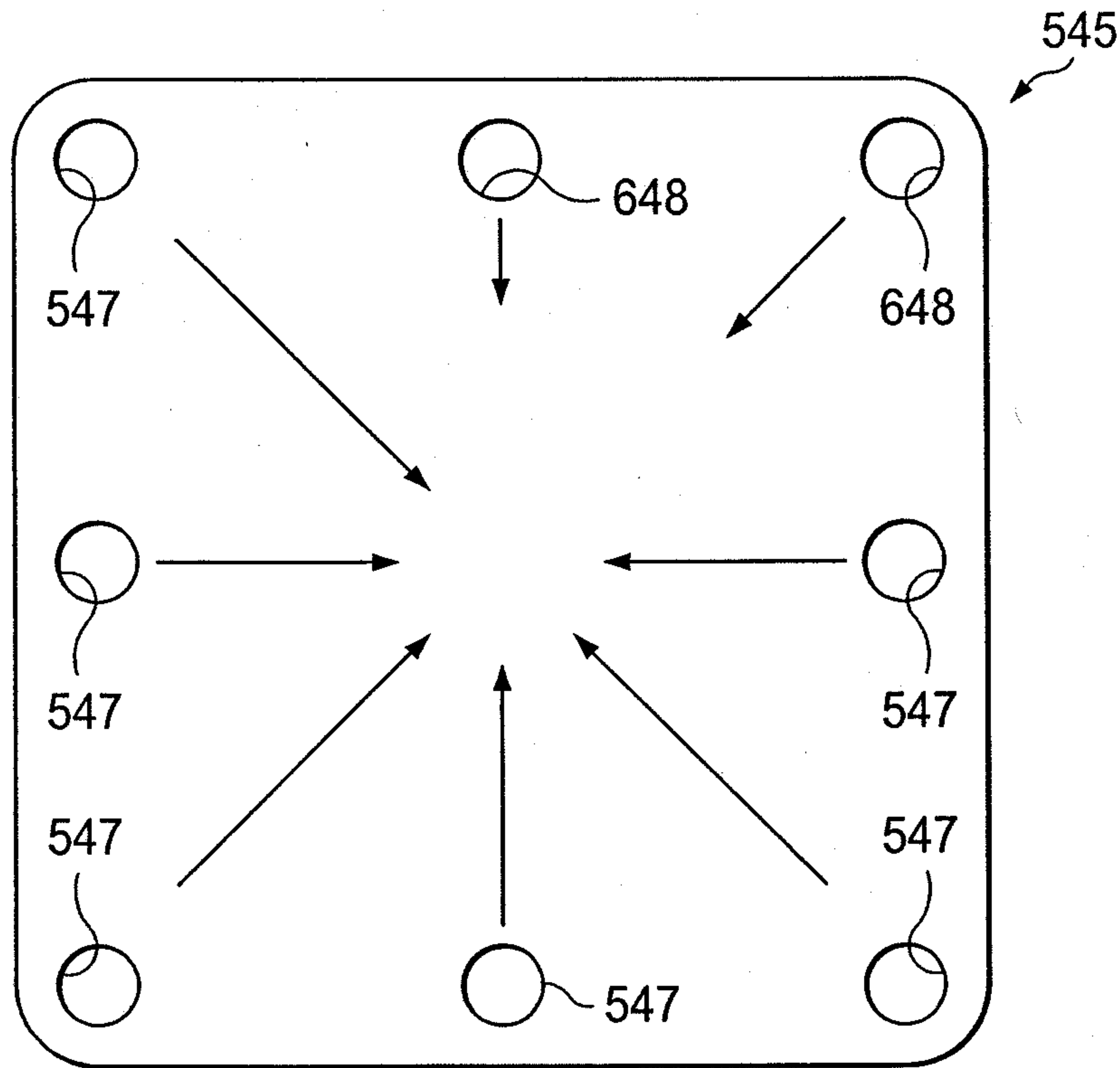


FIG. 6



6/16

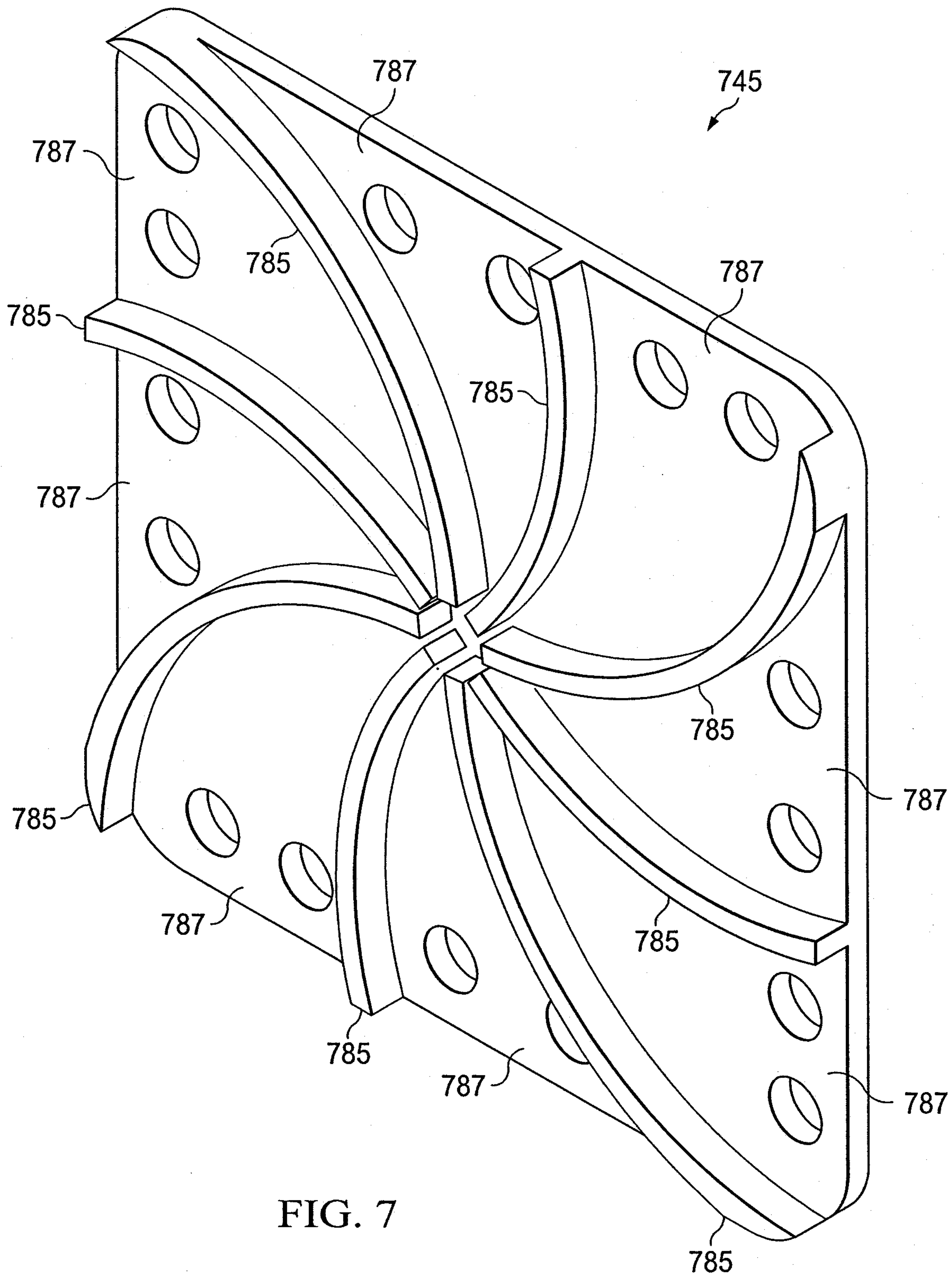


FIG. 7

7/16

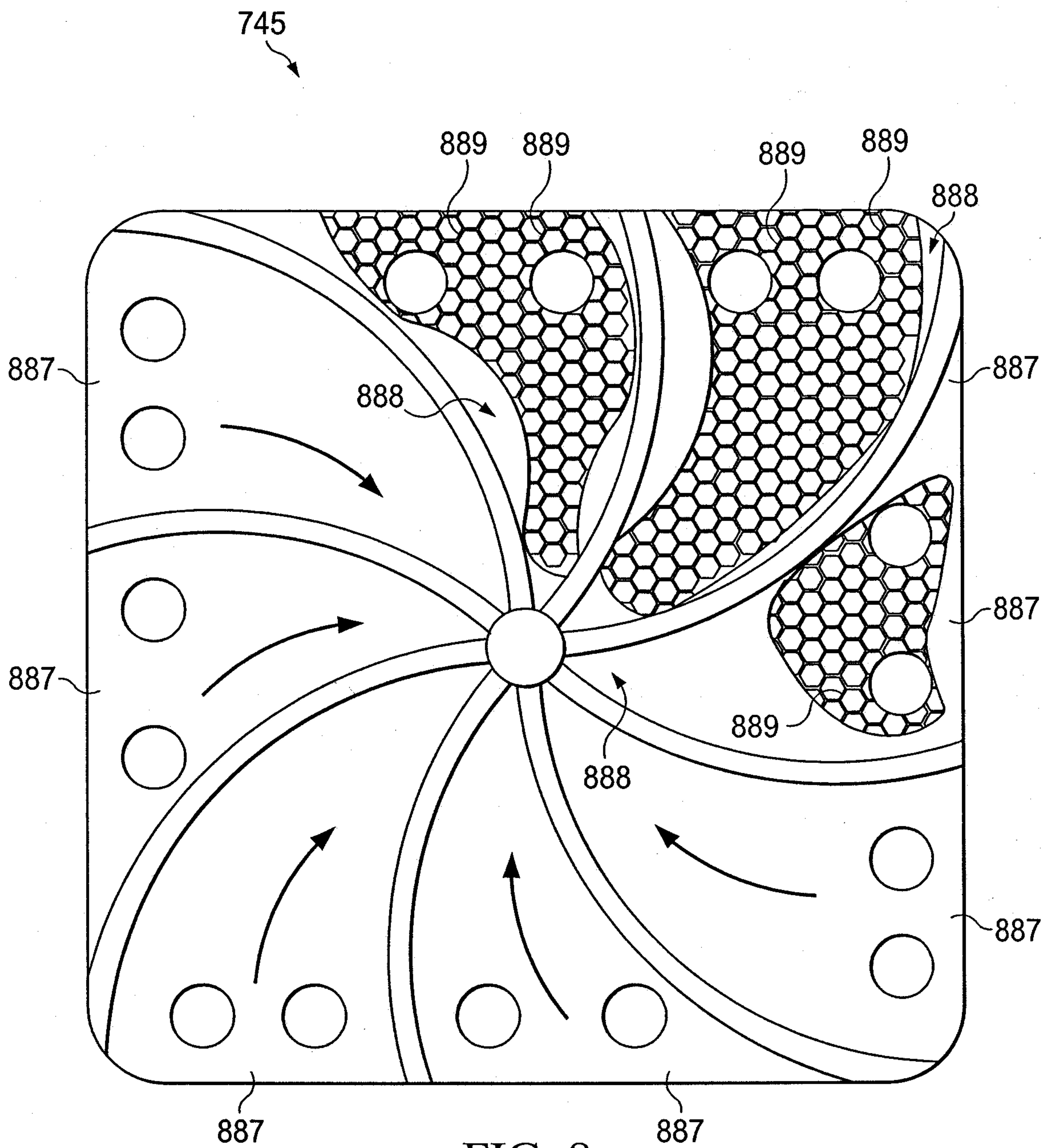


FIG. 8



8/16

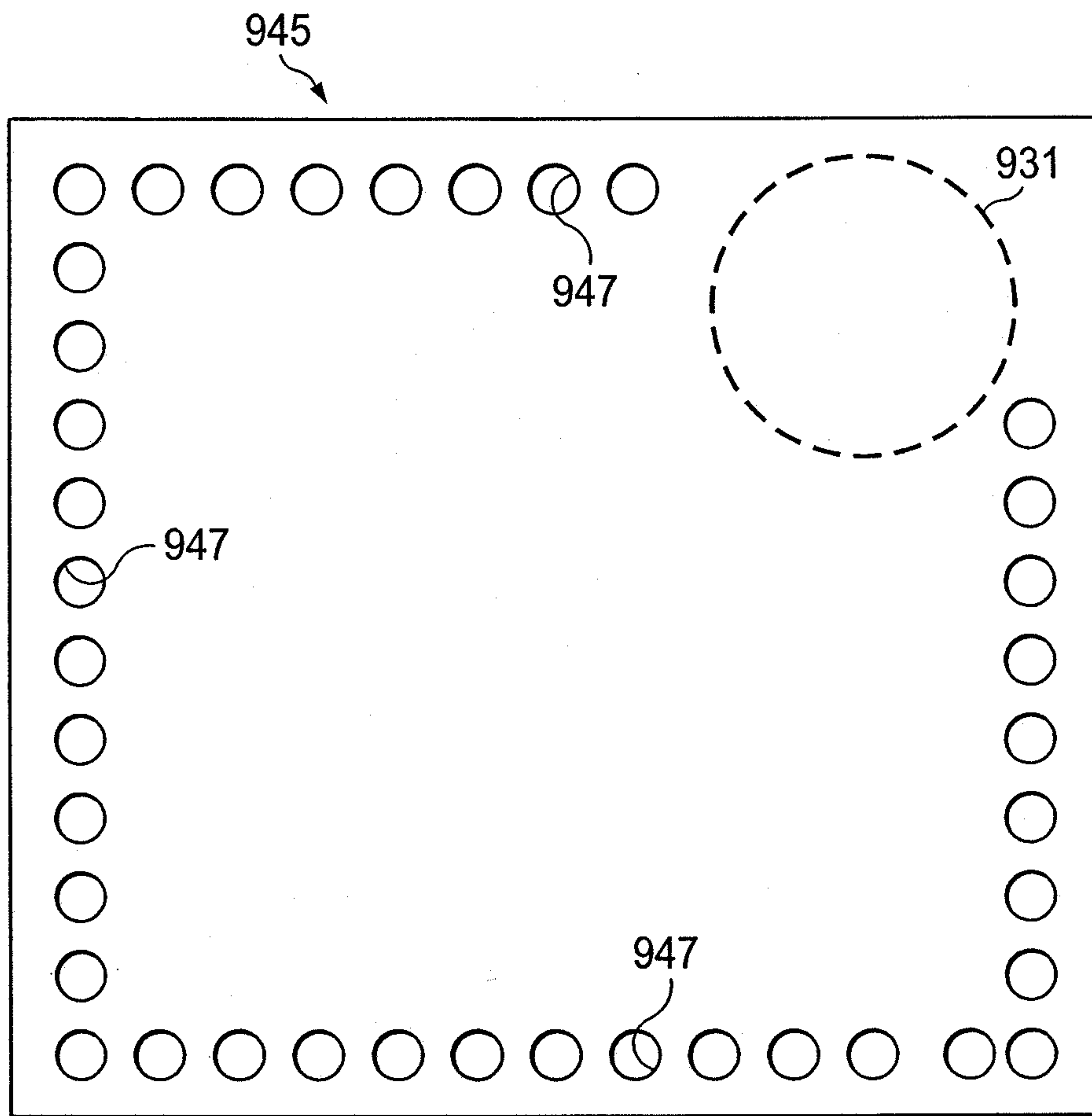


FIG. 9

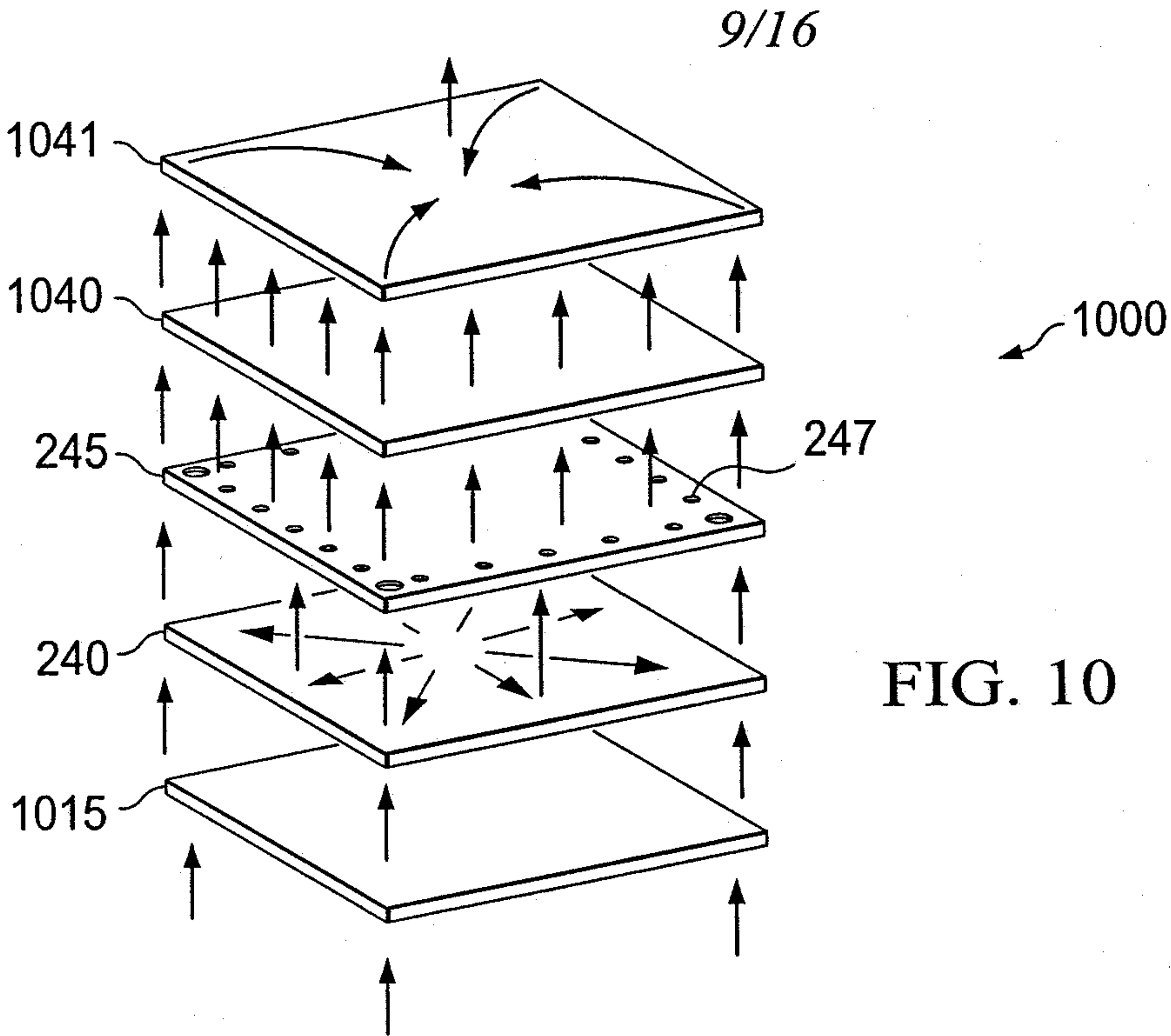


FIG. 10

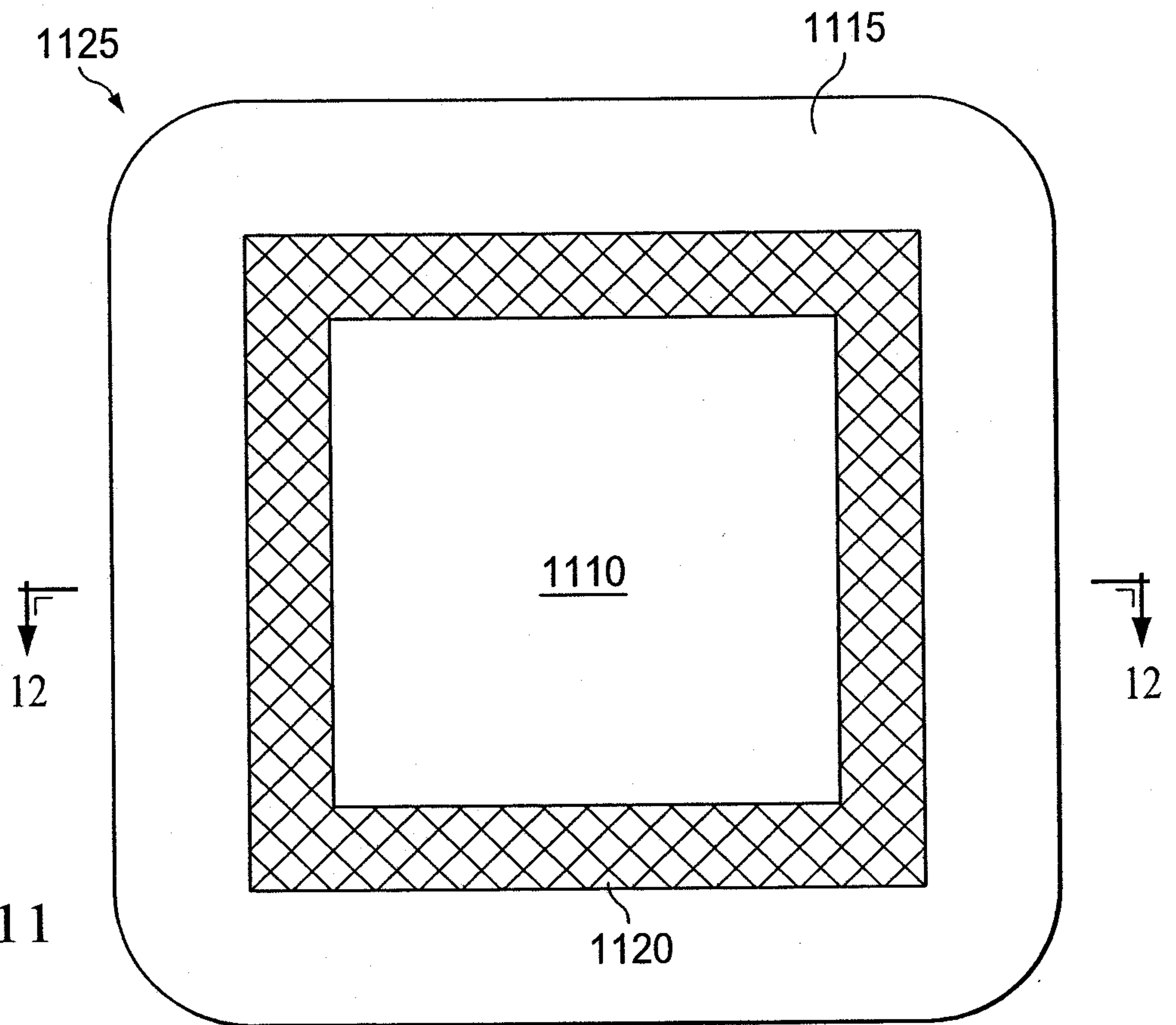


FIG. 11



10/16

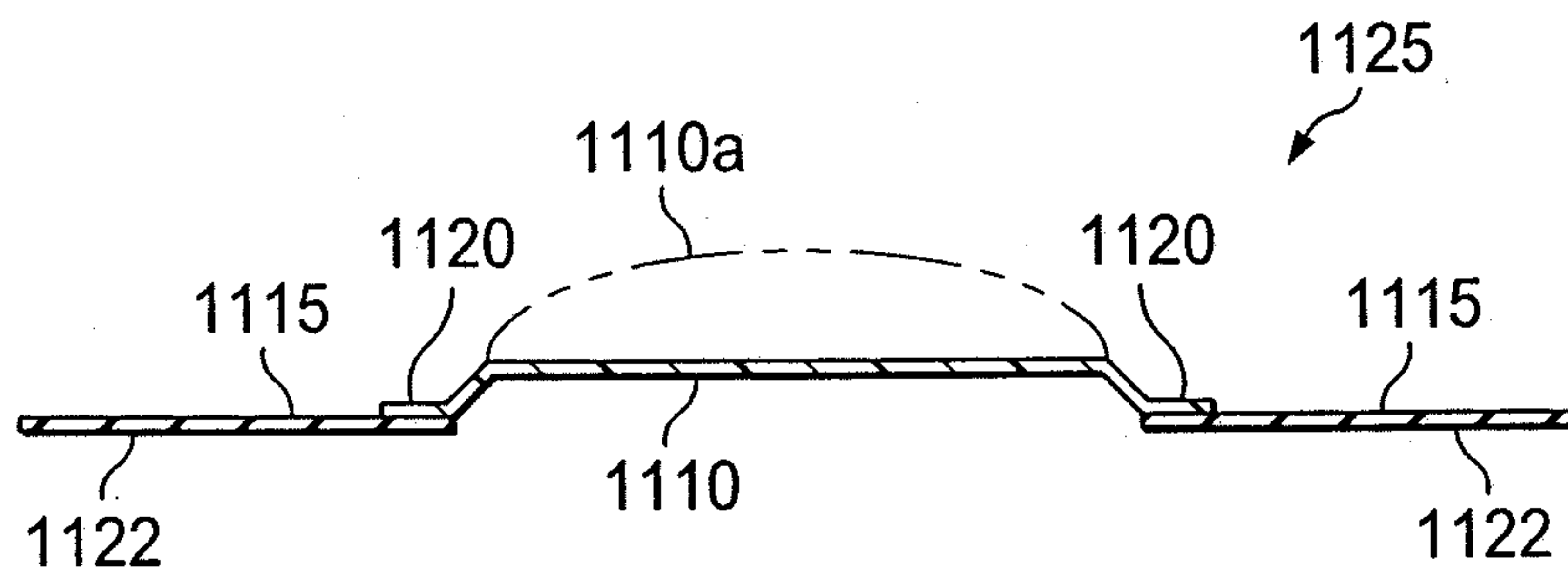


FIG. 12

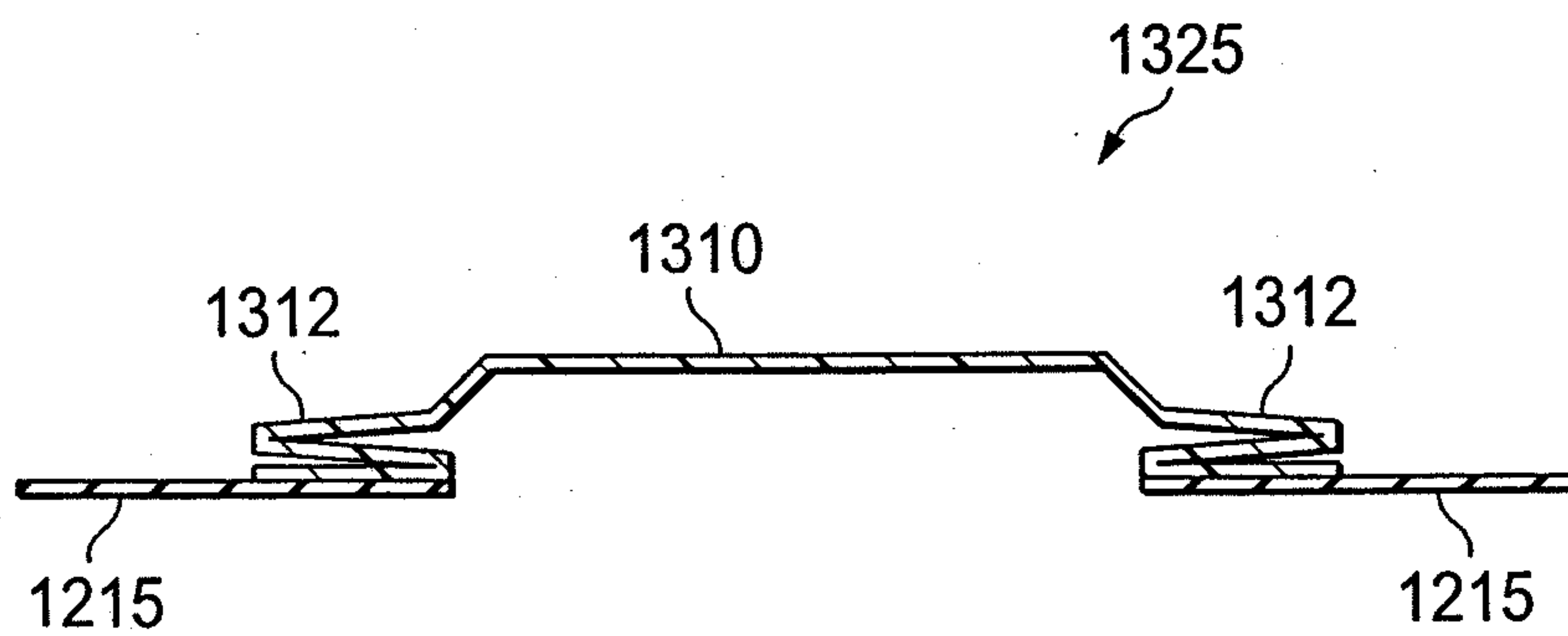


FIG. 13

11/16

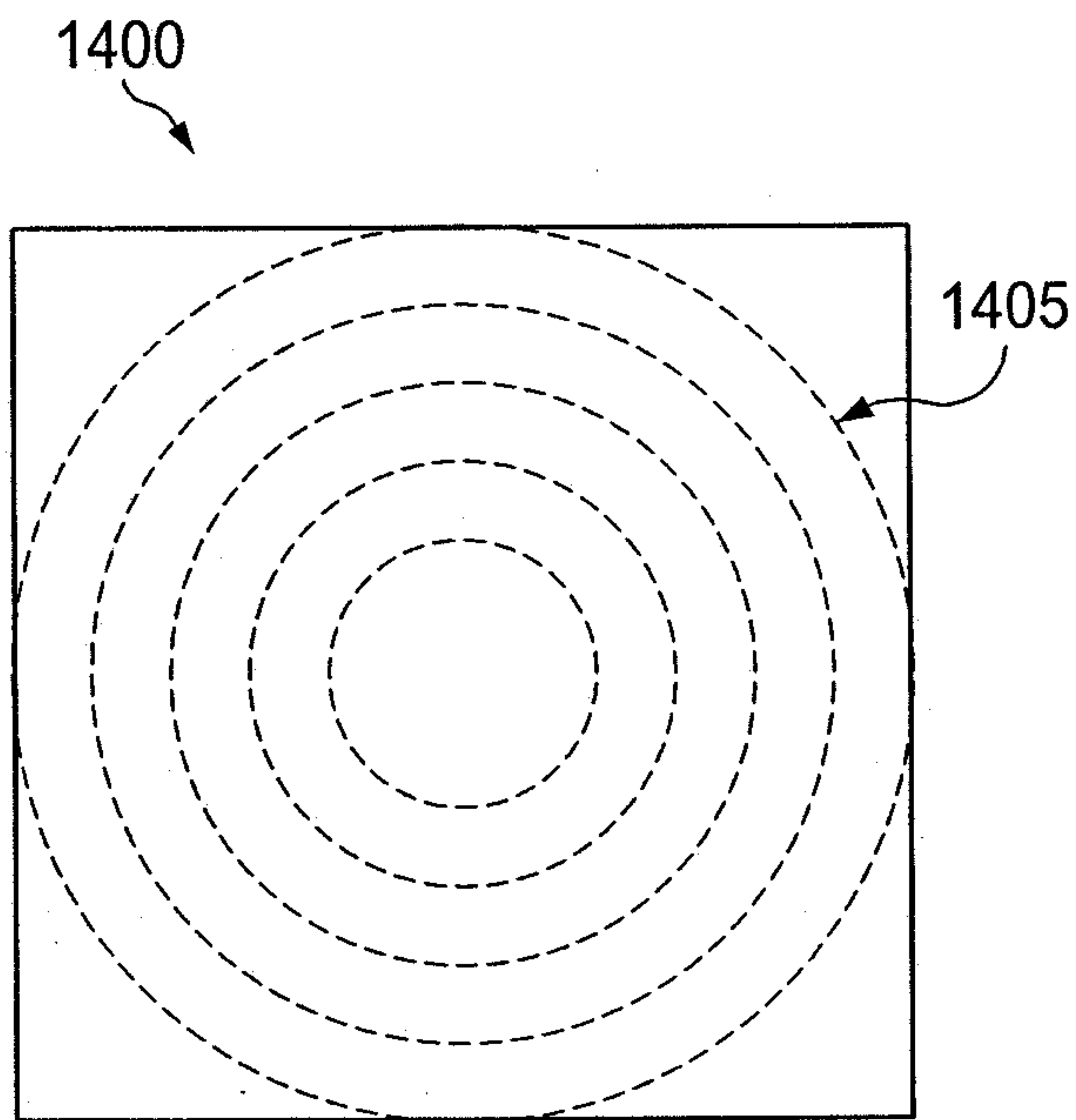


FIG. 14

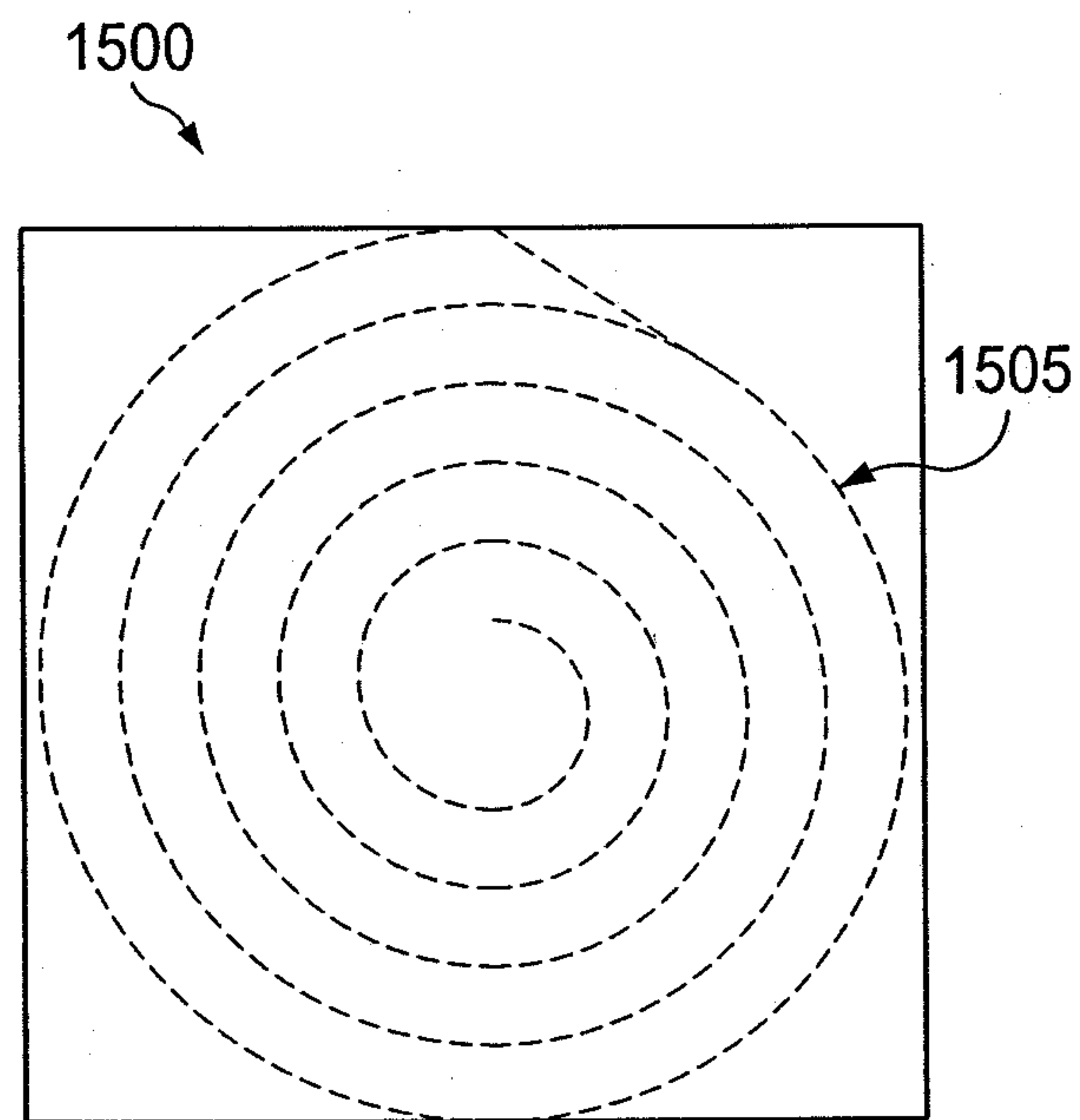


FIG. 15



12/16

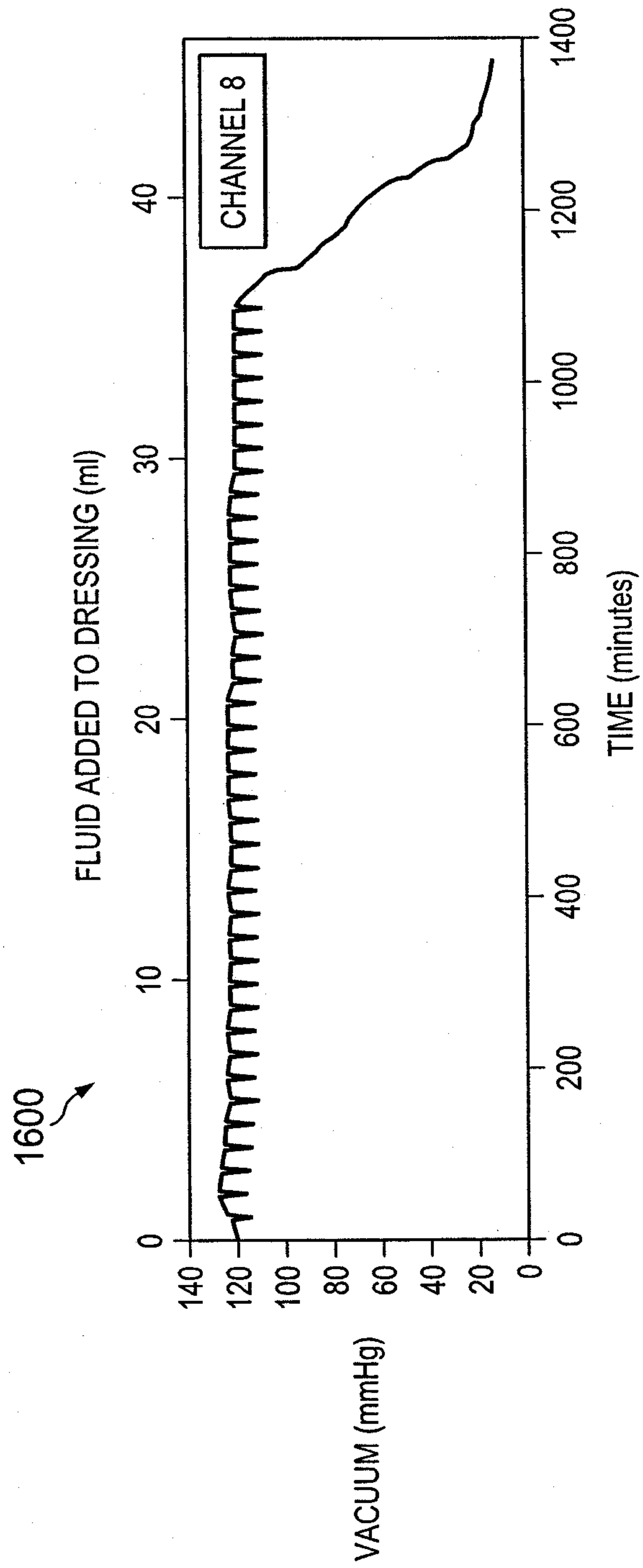


FIG. 16

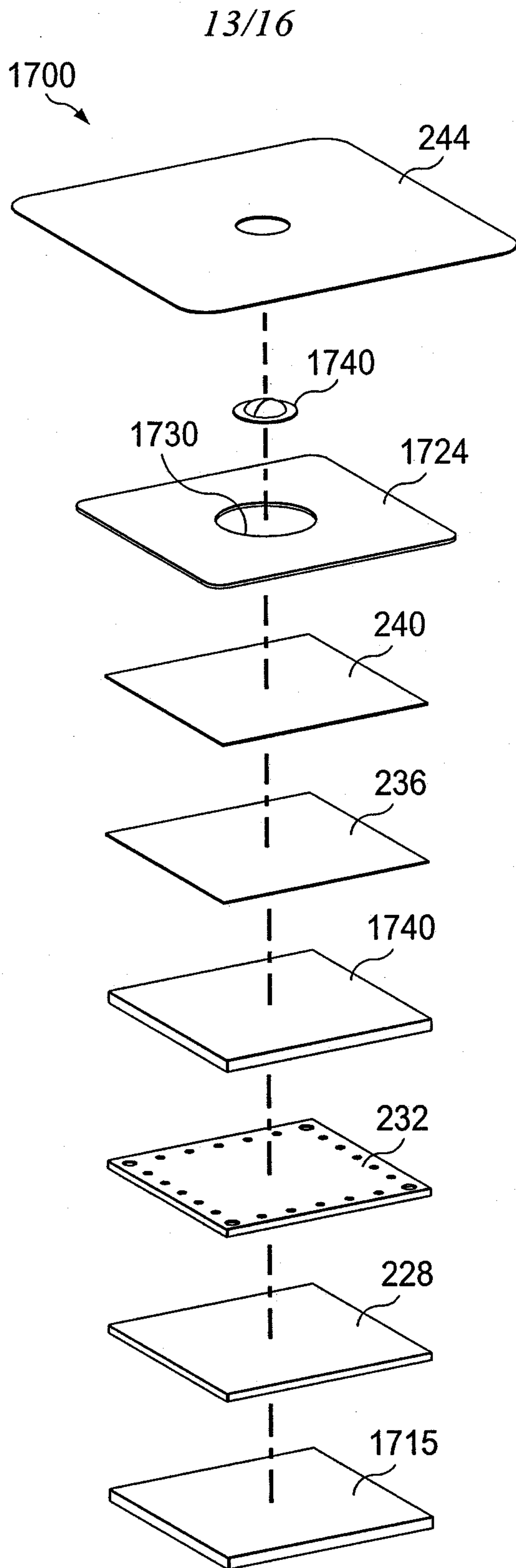


FIG. 17



14/16

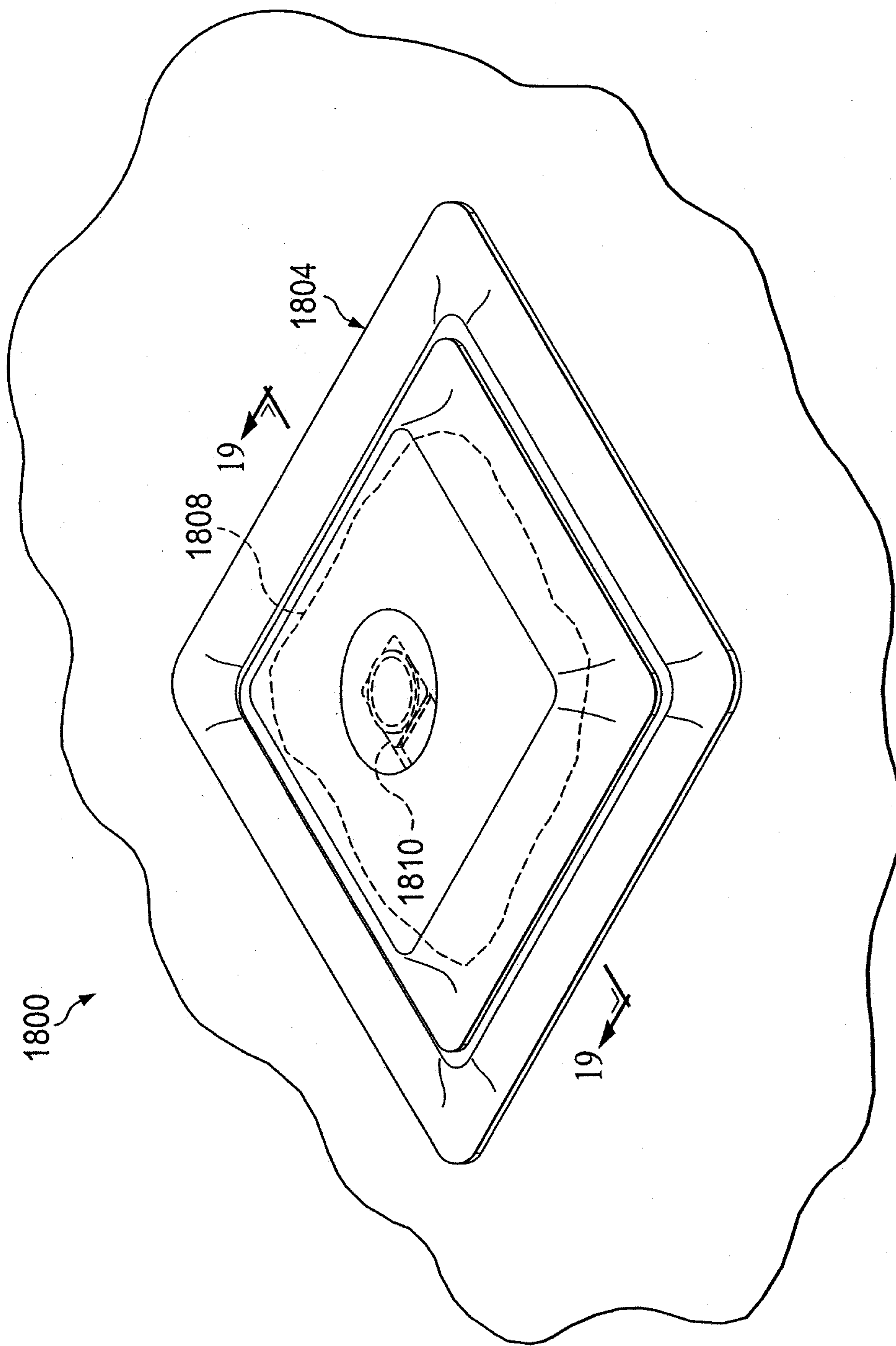


FIG. 18

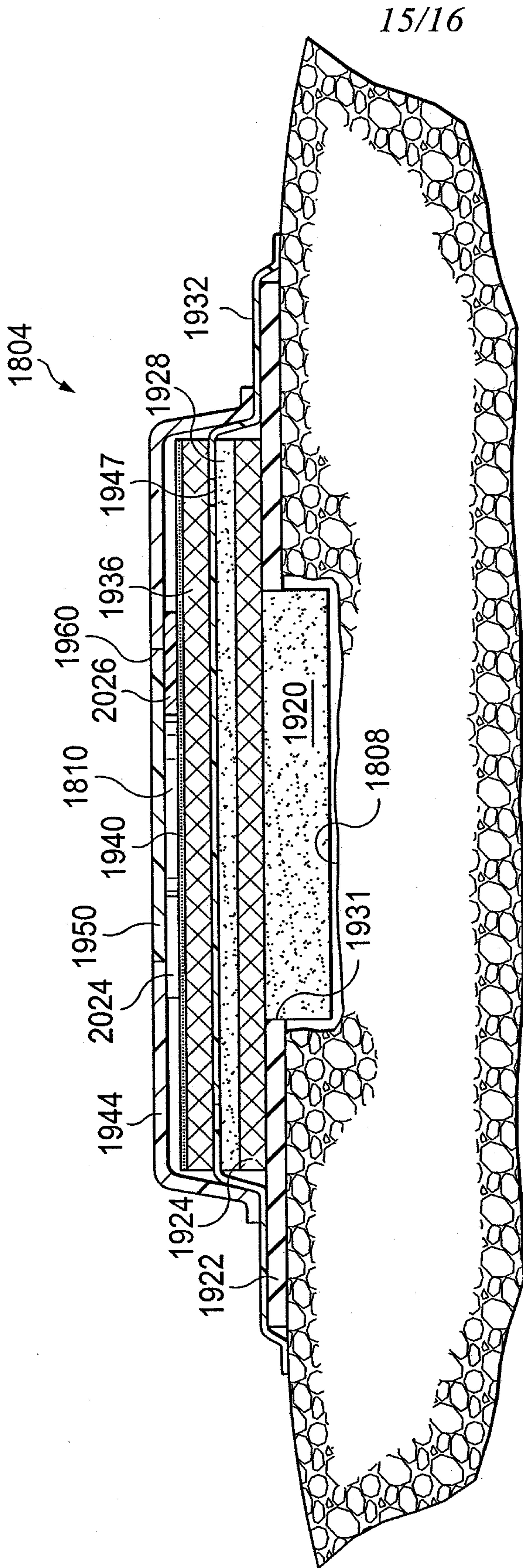


FIG. 19



16/16

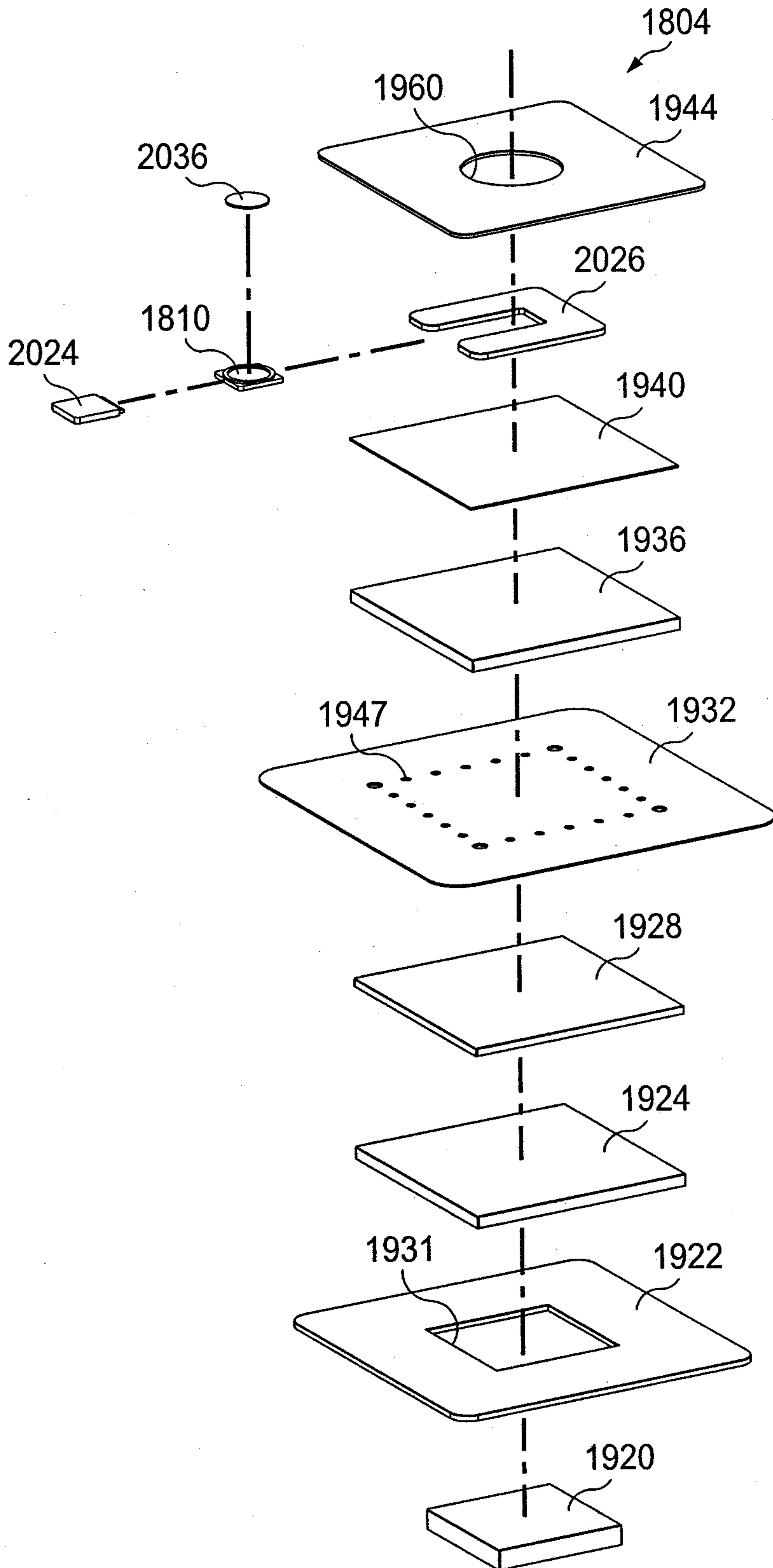


FIG. 20

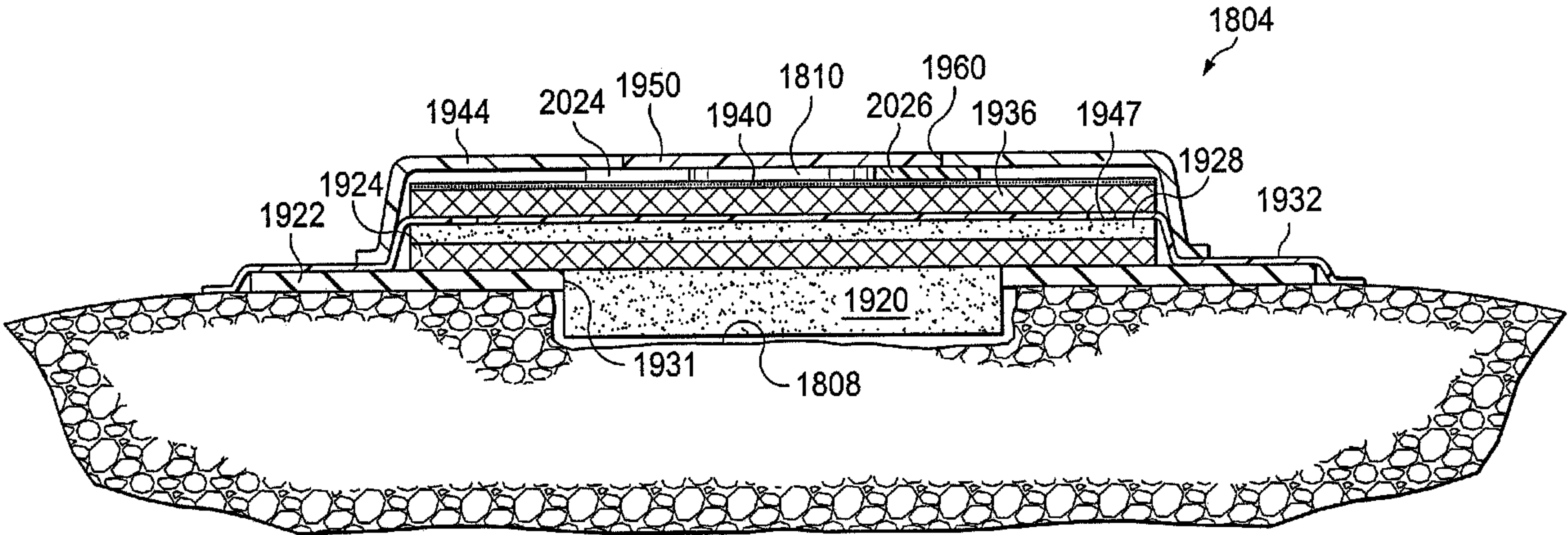


FIG. 19