



(12) **United States Design Patent**  
**Yang**

(10) **Patent No.:** **US D975,370 S**  
(45) **Date of Patent:** **\*\* Jan. 10, 2023**

(54) **ADJUSTABLE HEIGHT PET BOWL**  
(71) Applicant: **Chongjue Yang**, Cangzhou (CN)  
(72) Inventor: **Chongjue Yang**, Cangzhou (CN)  
(\*\*) Term: **15 Years**  
(21) Appl. No.: **29/838,758**  
(22) Filed: **May 16, 2022**

**FOREIGN PATENT DOCUMENTS**

CN 307497485 \* 8/2022

**OTHER PUBLICATIONS**

“Raised Cat Food Bowl” available Jun. 11, 2021, [online], [site visited Sep. 22, 2022]. Retrieved from Internet, URL:https://www.amazon.com/Elevated-Stainless-Non-Slip-Adjustable-Watering/dp/B0972J7M2W/ref=sr\_1\_291 (Year: 2021).\*

(Continued)

*Primary Examiner* — Katrina N Gonzalez

(30) **Foreign Application Priority Data**

Apr. 18, 2022 (CN) ..... 202230216103.7

(51) **LOC (14) Cl.** ..... **30-03**

(52) **U.S. Cl.**  
USPC ..... **D30/129; D30/133**

(58) **Field of Classification Search**  
USPC ..... D30/121, 122, 129, 130, 131, 132, 133,  
D30/199; 119/51.01, 51.02, 51.03, 51.11,  
119/51.12, 51.13, 51.5, 52.1, 57.1, 57.92,  
119/58, 60, 61.1, 61.5, 61.52, 61.54,  
119/61.55, 61.57, 72, 72.5, 73, 74, 75,  
119/78, 174  
CPC ..... A01K 5/00; A01K 5/0114; A01K 5/0121;  
A01K 5/0135; A01K 7/005; A01K 7/00;  
A01K 39/02; A01K 39/04; A01K 39/0213  
See application file for complete search history.

(57) **CLAIM**

The ornamental design for a adjustable height pet bowl, as shown and described.

**DESCRIPTION**

FIG. 1 is a front, right and top perspective view of a adjustable height pet bowl showing my new design; FIG. 2 is a front, right, and top perspective view thereof, but shown with the pet bowl raised in a first position of use for clarity of illustration. FIG. 3 is a front, right, and top perspective view thereof, but shown with the pet bowl raised in a second position of use for clarity of illustration. FIG. 4 is a front view of FIG. 1; FIG. 5 is a rear view thereof; FIG. 6 is a left side view thereof; FIG. 7 is a right side view thereof; FIG. 8 is a top plan view thereof; FIG. 9 is a bottom plan view thereof; and, FIG. 10 is an enlarged detail view of area 10 shown in FIG. 4.

The dash-dash broken lines illustrate portions of the adjustable height pet bowl. FIGS. 4 and 10 show dash-dot broken lines that represent the boundaries and indicators of the enlarged views. The broken lines form no part of the claimed design.

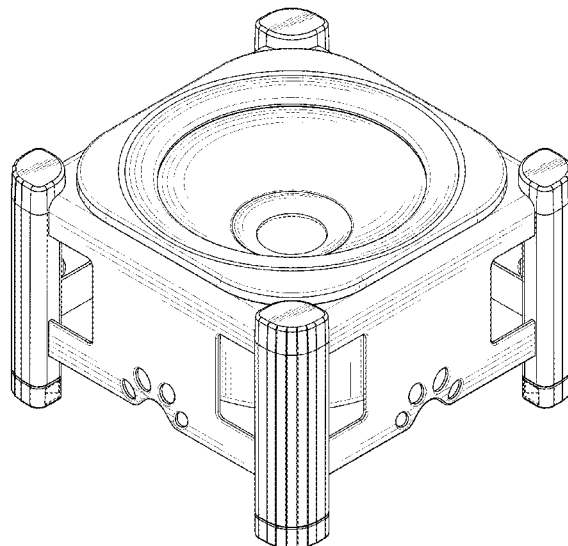
(56) **References Cited**

**U.S. PATENT DOCUMENTS**

D514,750 S \* 2/2006 Matula ..... D30/129  
D700,751 S \* 3/2014 Gilkey ..... D30/129  
D770,099 S \* 10/2016 Jones ..... D30/129  
D782,127 S \* 3/2017 Wechsler ..... D30/129  
D899,717 S \* 10/2020 Van Curen ..... D30/199  
D900,411 S 10/2020 Liang  
D916,389 S 4/2021 Sharer  
D925,133 S \* 7/2021 Yoo ..... D30/129

(Continued)

**1 Claim, 10 Drawing Sheets**



(56)

**References Cited**

U.S. PATENT DOCUMENTS

D943,836 S \* 2/2022 Lai ..... D30/133  
D962,558 S \* 8/2022 Yang ..... D30/131

OTHER PUBLICATIONS

“Foreyy Set of 2 Raised Pet Bowls” available May 31, 2019, [online], [site visited Sep. 22, 2022]. Retrieved from Internet, URL:[https://www.amazon.com/FOREYY-Raised-Bowls-Cats-Small/dp/B08CVNQHFH/ref=sxin\\_14\\_pa\\_sp\\_search\\_thematic\\_sspa](https://www.amazon.com/FOREYY-Raised-Bowls-Cats-Small/dp/B08CVNQHFH/ref=sxin_14_pa_sp_search_thematic_sspa) (Year: 2019).\*

“Raised Pet Bowls for Cats and Dogs” available Oct. 1, 2021, [online], [site visited Sep. 22, 2022]. Retrieved from Internet, URL:[https://www.amazon.com/Raised-Pet-Bowls-Cats-Dogs/dp/B096ZBV86V/ref=sr\\_1\\_165](https://www.amazon.com/Raised-Pet-Bowls-Cats-Dogs/dp/B096ZBV86V/ref=sr_1_165) (Year: 2021).\*

\* cited by examiner

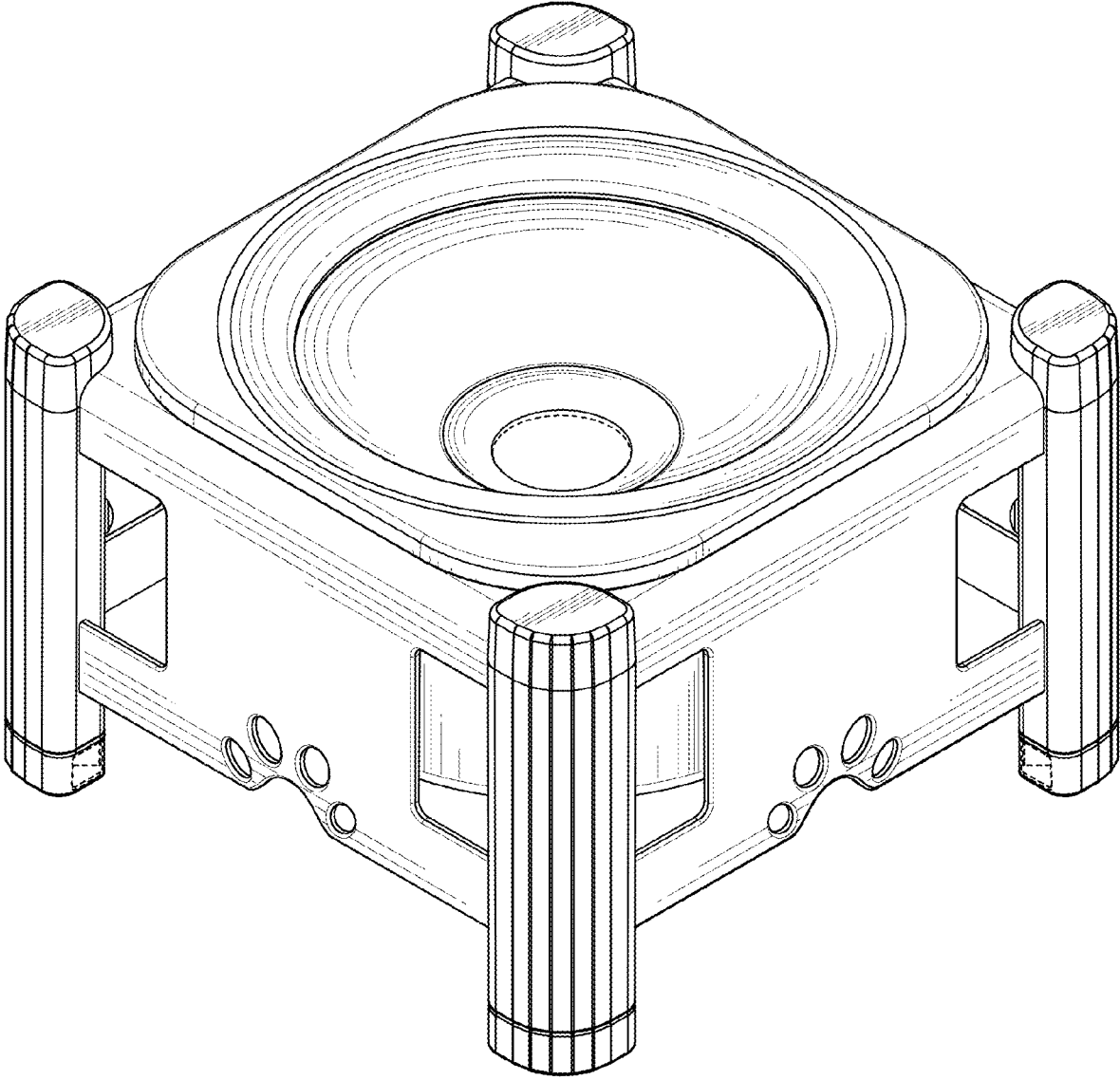


FIG. 1

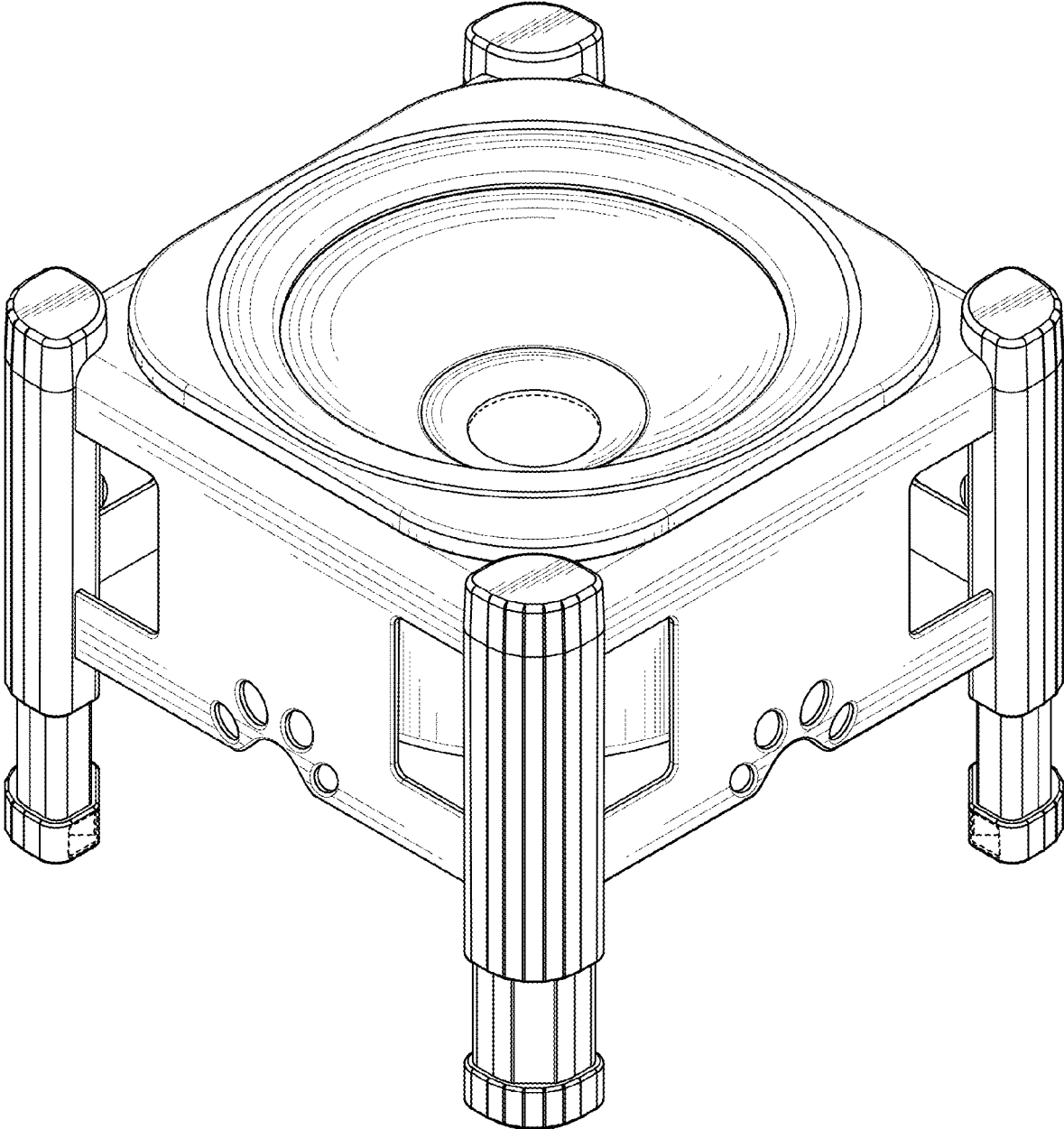


FIG. 2

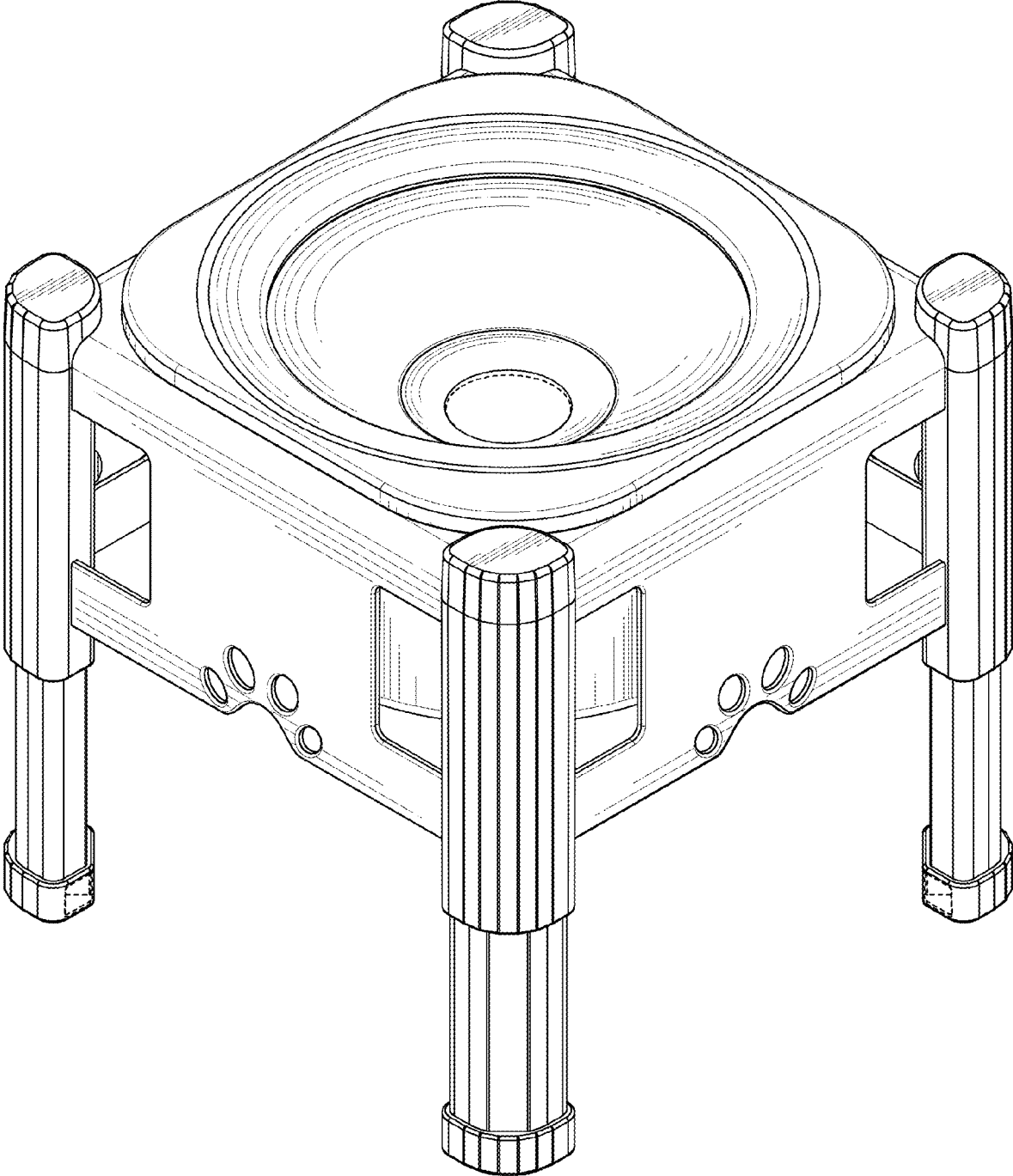


FIG. 3

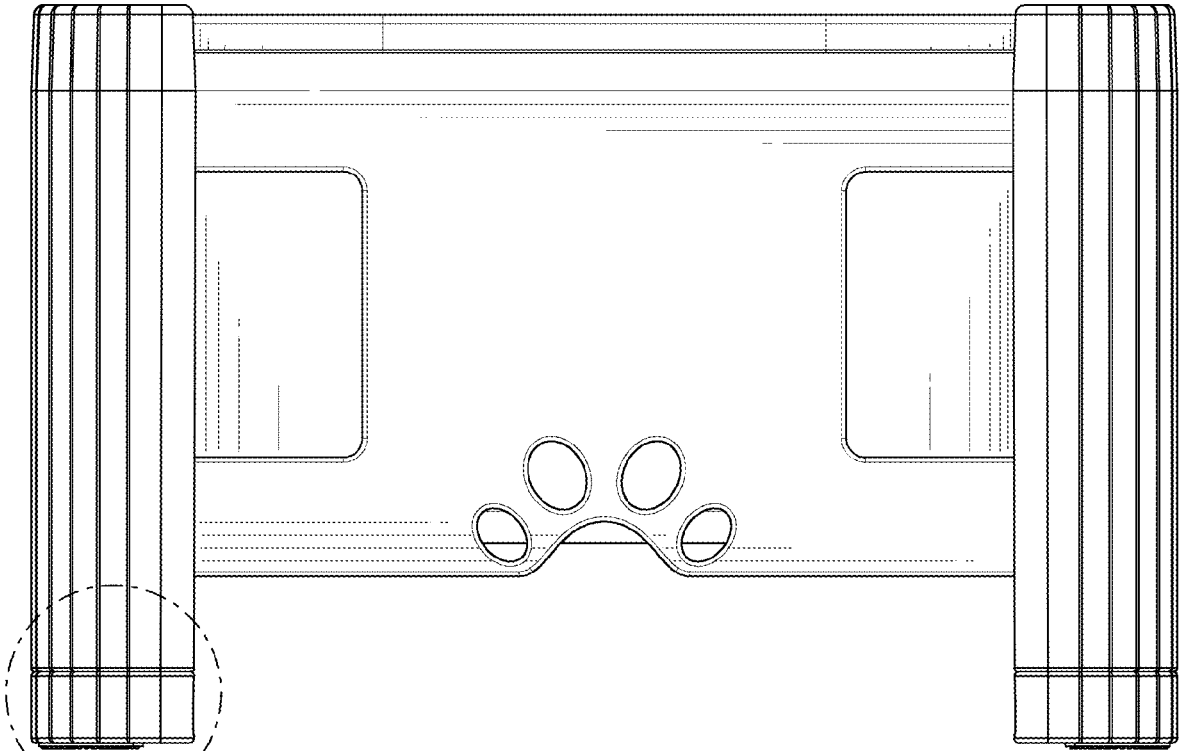


FIG. 4

10

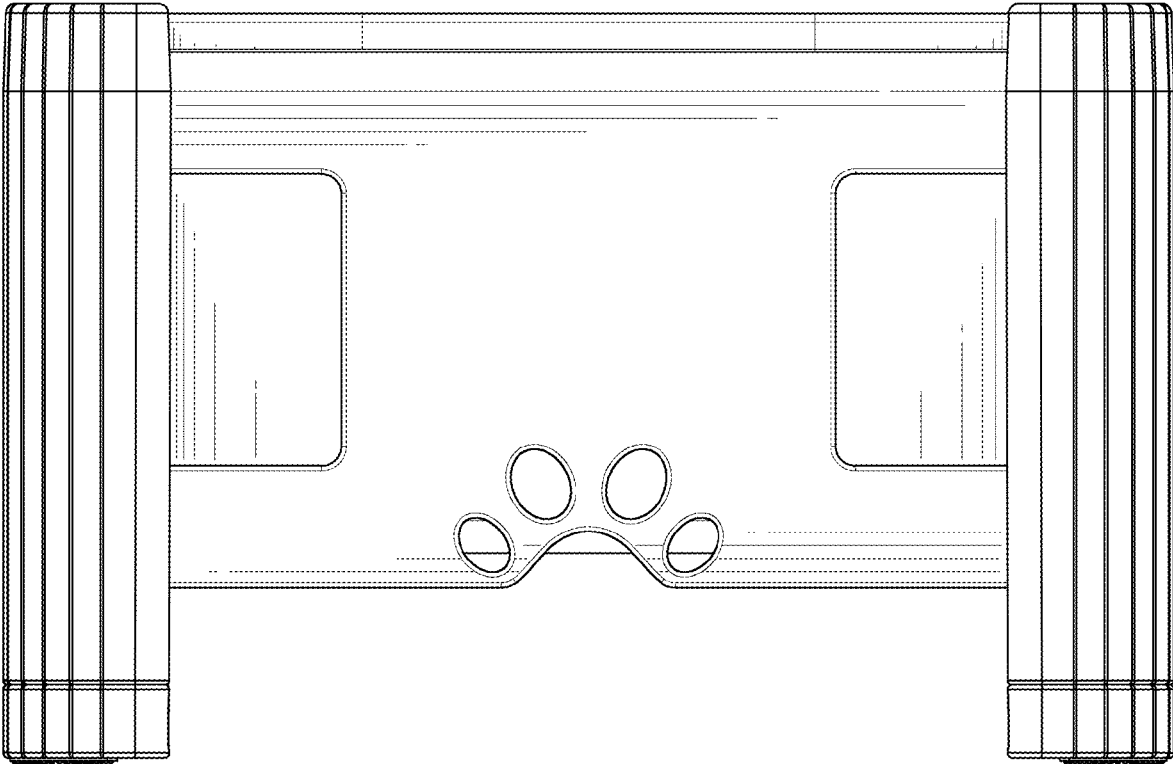


FIG. 5

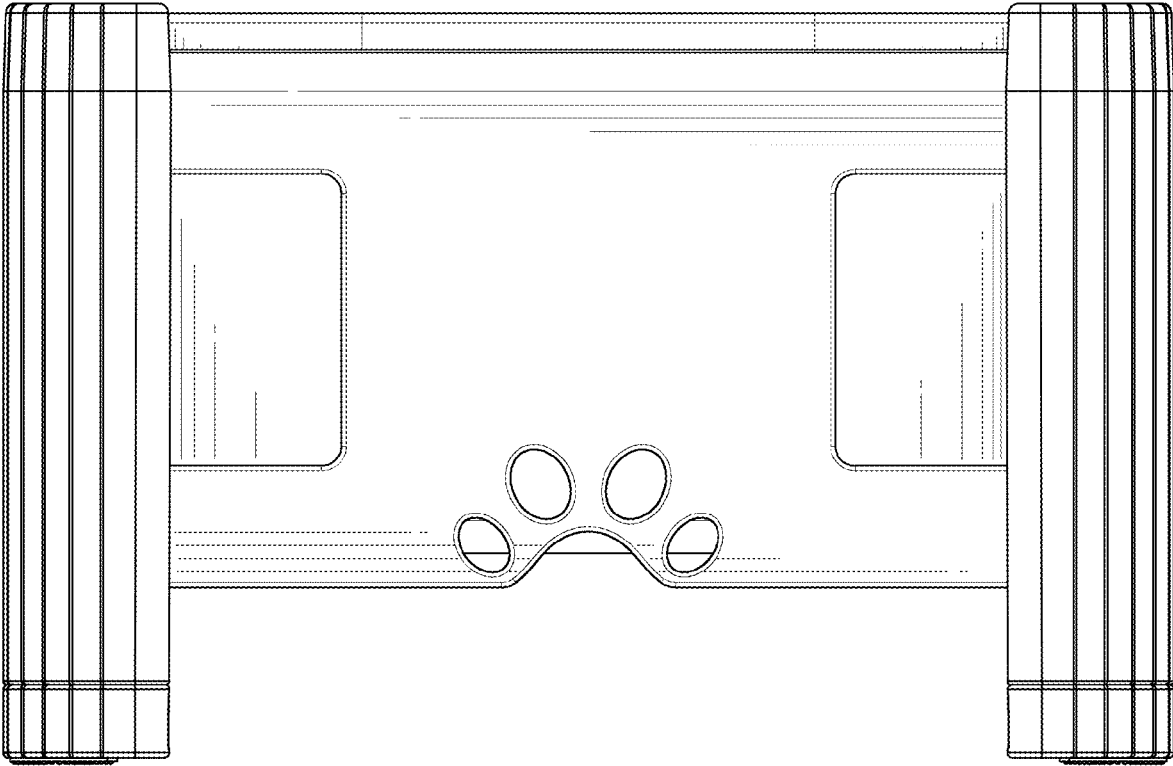


FIG. 6



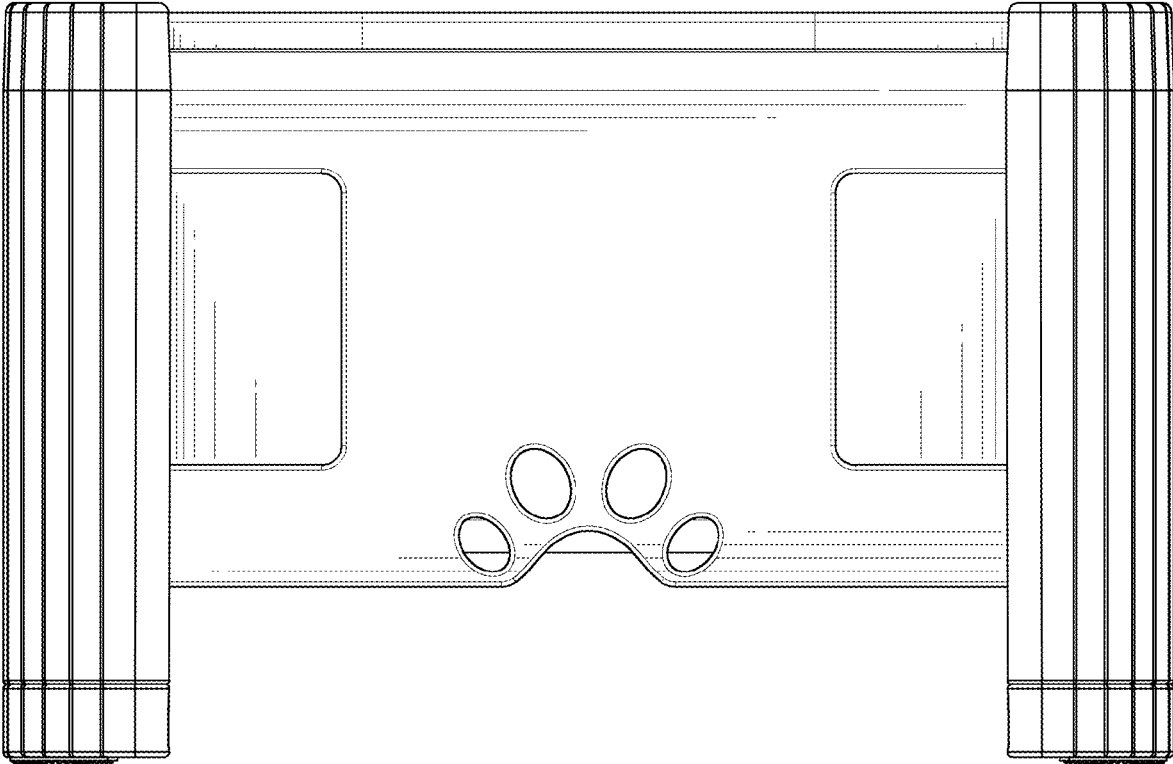


FIG. 7

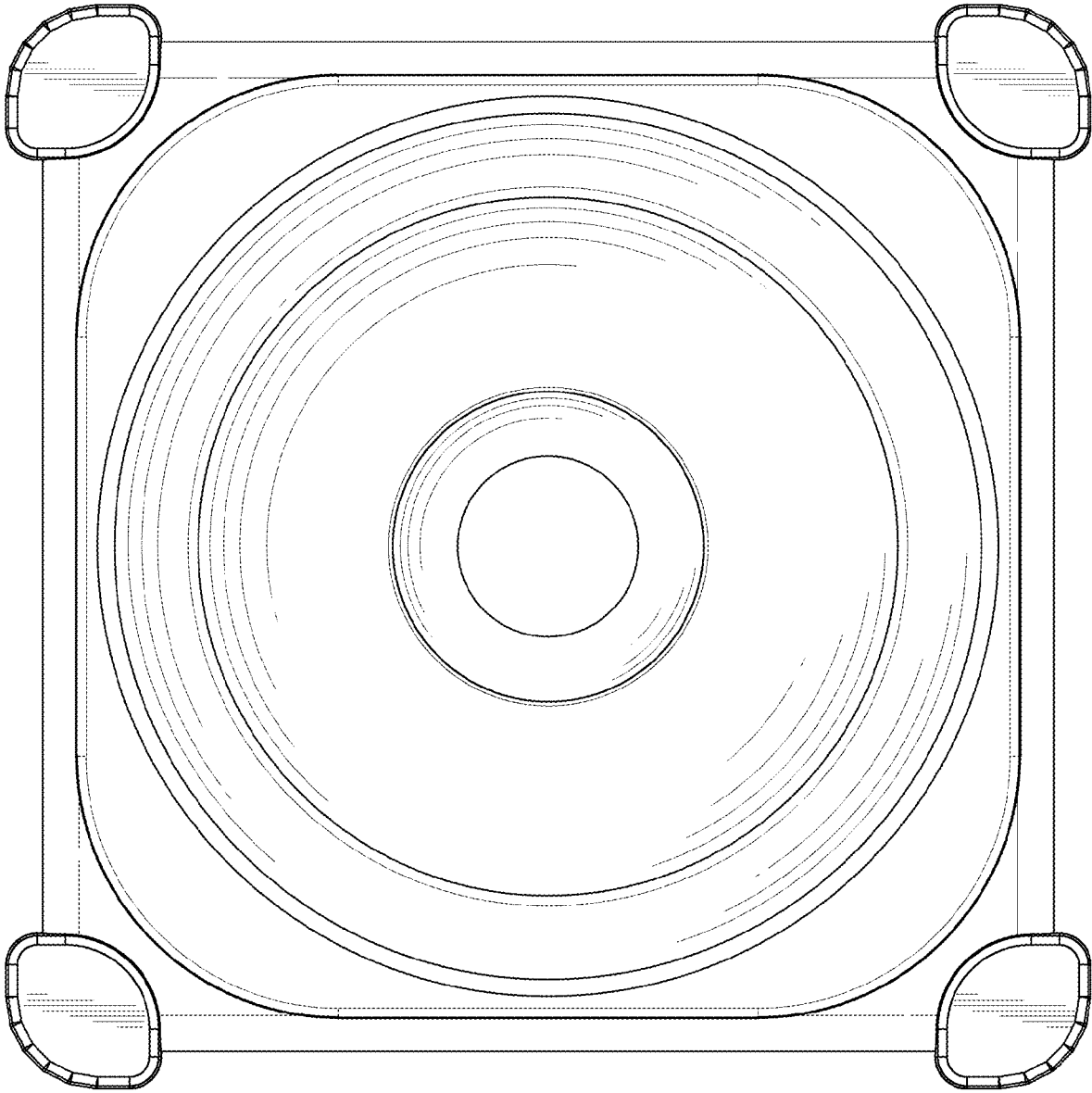


FIG. 8

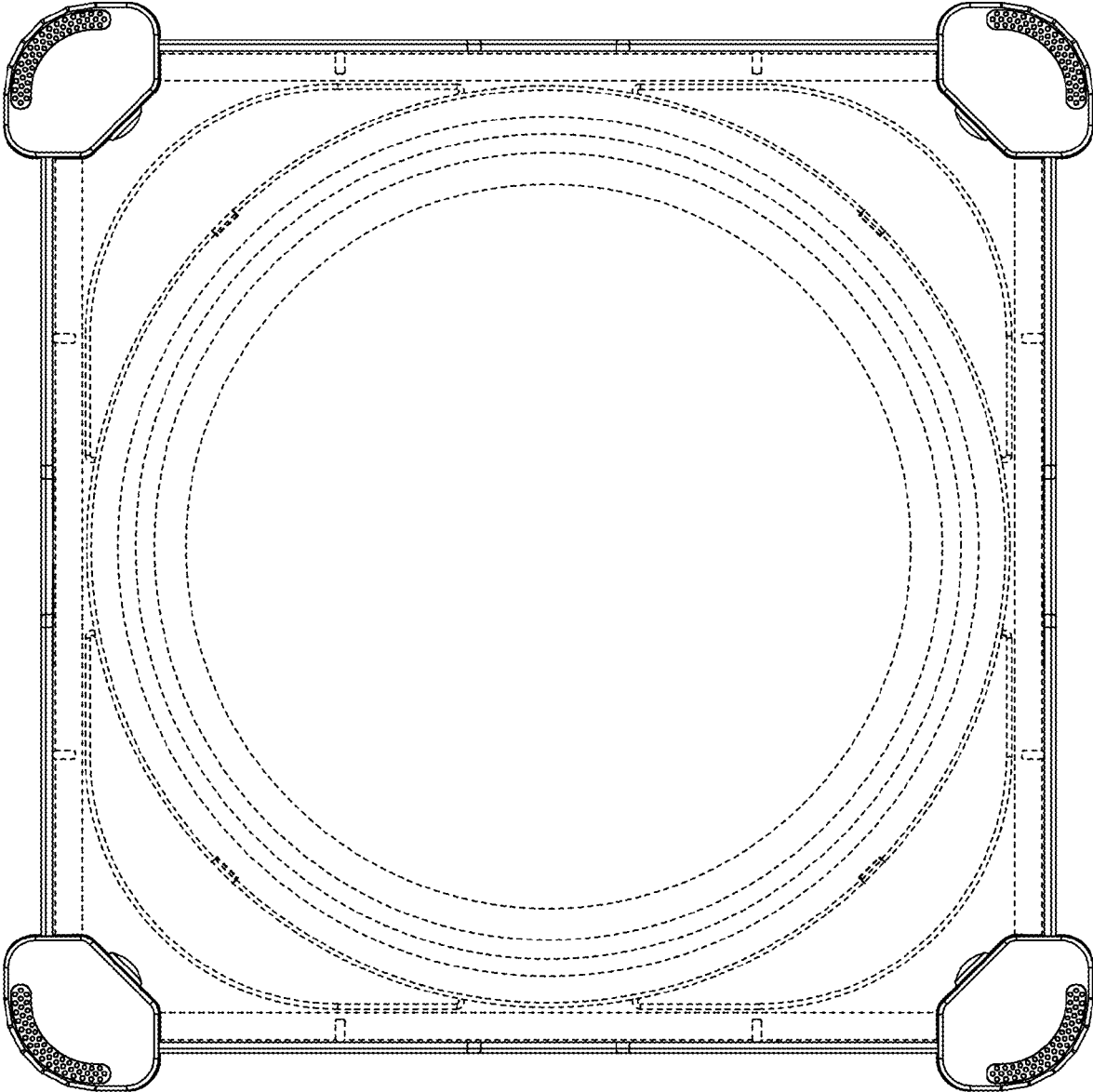


FIG. 9

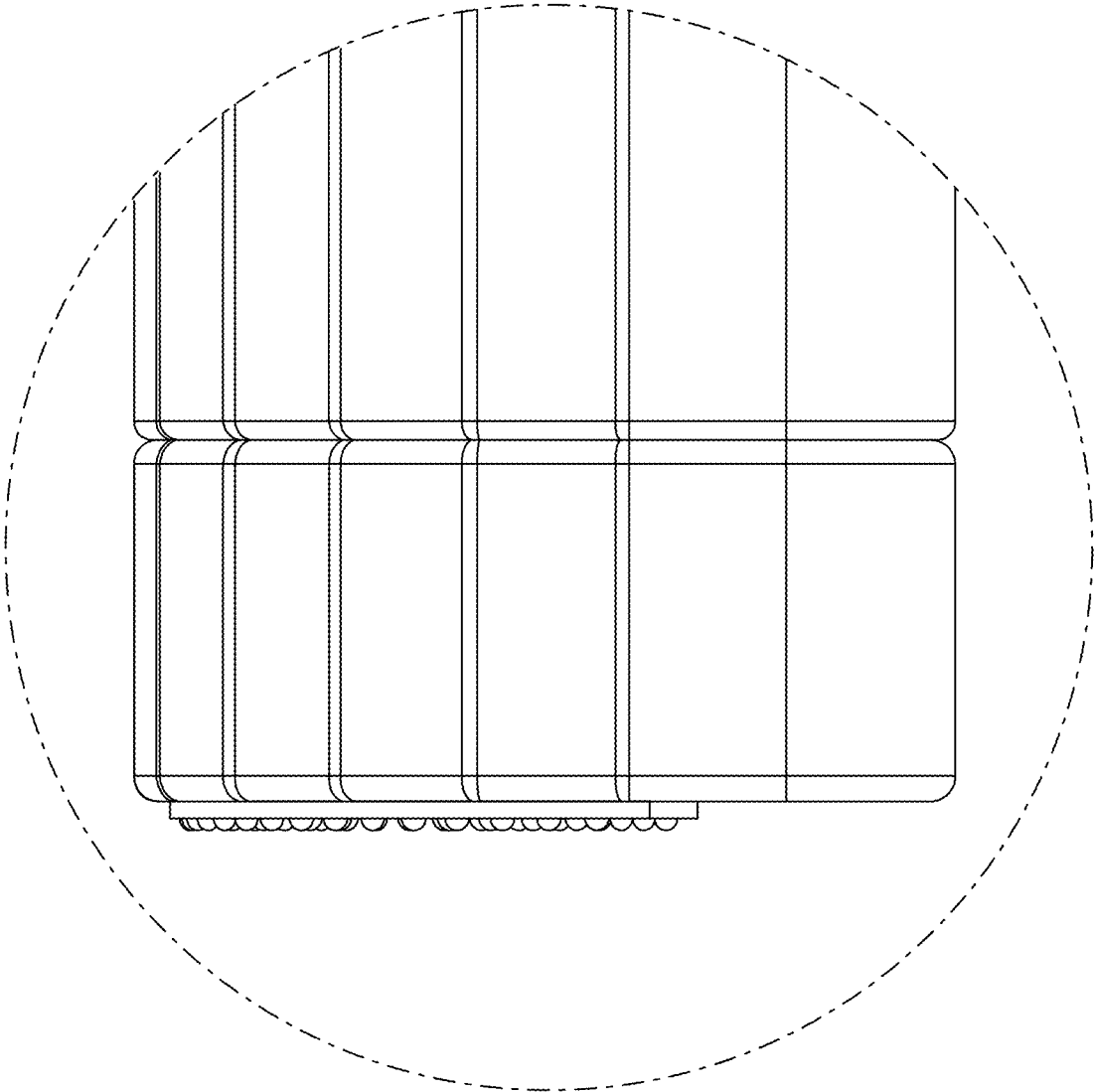


FIG. 10