



(12) **United States Design Patent**
Bruder

(10) **Patent No.:** **US D870,906 S**
(45) **Date of Patent:** **** Dec. 24, 2019**

(54) **THERAPEUTIC EYE MASK**

FOREIGN PATENT DOCUMENTS

(71) Applicant: **BRUDER HEALTHCARE COMPANY, LLC**, Alpharetta, GA (US)

EP 0099748 A1 2/1984
EP 0230387 A2 7/1987
(Continued)

(72) Inventor: **Mark H. Bruder**, Alpharetta, GA (US)

OTHER PUBLICATIONS

(73) Assignee: **BRUDER HEALTHCARE COMPANY, LLC**, Alpharetta, GA (US)

Bentonite Definition; Encyclopaedia Britannica; 1 pg; date unknown.
(Continued)

(**) Term: **15 Years**

Primary Examiner — Wan Laymon
(74) *Attorney, Agent, or Firm* — Gardner Groff & Greenwald, PC

(21) Appl. No.: **29/677,244**

(22) Filed: **Jan. 18, 2019**

(57) **CLAIM**

The ornamental design for a therapeutic eye mask, substantially as shown and described.

Related U.S. Application Data

(62) Division of application No. 29/586,064, filed on Nov. 30, 2016, now Pat. No. Des. 844,795.

DESCRIPTION

(51) **LOC (12) Cl.** **24-04**

FIG. 1 is a perspective view of a therapeutic eye mask according to an example embodiment of the design, showing an example application and environment of use over the eye region of a person.

(52) **U.S. Cl.** **D24/206**

FIG. 2 is a perspective view of the therapeutic eye mask shown in FIG. 1.

USPC **D24/206**

FIG. 3 is a side view of the therapeutic eye mask shown in FIG. 1 (the opposite side views being mirror images of one another).

(58) **Field of Classification Search**

USPC D24/206–208, 200
CPC A61F 7/02; A61F 7/03; A61F 7/103; A61F 7/106; A61F 2007/0001; A61F 2007/0003; A61F 2007/0004; A61F 2007/0071; A61F 2007/0291; A61F 2007/0228; A61F 9/00; A61F 9/026; A61F 9/04; A61F 13/124

FIG. 4 is a front view of the therapeutic eye mask shown in FIG. 1.

See application file for complete search history.

FIG. 5 is a back view of the therapeutic eye mask shown in FIG. 1.

(56) **References Cited**

U.S. PATENT DOCUMENTS

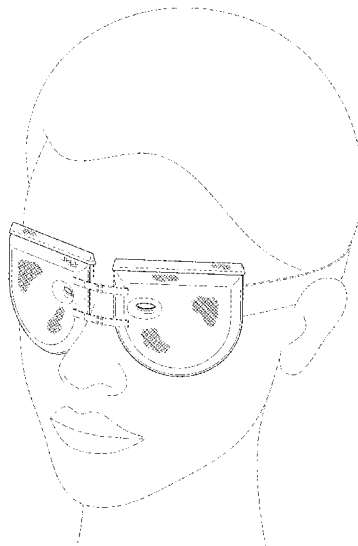
2,066,271 A 12/1936 Irwin
2,882,244 A 4/1959 Milton
3,008,803 A 11/1961 Milton
(Continued)

FIG. 6 is a top view of the therapeutic eye mask shown in FIG. 1; and,

FIG. 7 is a bottom view of the therapeutic eye mask shown in FIG. 1.

In the drawings, the broken lines depict environmental subject matter only and form no part of the claimed design.

1 Claim, 3 Drawing Sheets



(56)

References Cited

U.S. PATENT DOCUMENTS

3,010,789	A	11/1961	Milton	8,246,978	B2	8/2012	Kydonieus et al.
3,012,853	A	12/1961	Milton	8,261,734	B2	9/2012	Dodo
3,013,982	A	12/1961	Breck et al.	8,319,002	B2	11/2012	Daniels et al.
3,030,181	A	4/1962	Milton	8,333,793	B2	12/2012	Igaki et al.
3,587,578	A	6/1971	Walker	8,343,203	B2	1/2013	Ishikawa
4,000,028	A	12/1976	Hoey	8,349,806	B2	1/2013	Brubaker et al.
4,001,732	A	1/1977	Gundry	8,357,189	B2	1/2013	Ugajin et al.
4,106,478	A	8/1978	Higashijima	8,409,154	B2	4/2013	Mitra et al.
4,252,119	A	2/1981	Coates	8,420,882	B2	4/2013	Bruder et al.
4,273,621	A	6/1981	Fornoff	8,430,921	B2	4/2013	Wong et al.
4,372,318	A *	2/1983	Viesturs	8,455,016	B2	6/2013	Maskin
			A61F 7/02	8,506,539	B2	8/2013	Guillon et al.
			607/109	8,524,973	B2	9/2013	Bruder et al.
4,516,564	A	5/1985	Koiso et al.	8,535,363	B1	9/2013	Lewis
4,525,410	A	6/1985	Hagiwara et al.	8,617,229	B2	12/2013	Korb et al.
4,775,585	A	10/1988	Hagiwara et al.	8,636,786	B2	1/2014	Biser
4,826,497	A	5/1989	Marcus et al.	8,642,831	B2	2/2014	Larsen et al.
4,882,349	A	11/1989	Baglioni	8,709,039	B2	4/2014	Humphreys
4,897,297	A	1/1990	Zafiroglu	8,747,888	B2	6/2014	Kydonieus et al.
4,906,466	A	3/1990	Edwards et al.	8,778,301	B2	7/2014	Mamelak et al.
4,919,648	A	4/1990	Sibalis	8,784,391	B1	7/2014	Biser
4,988,053	A	1/1991	Choi	8,795,718	B2	8/2014	Bedard et al.
5,019,254	A	5/1991	Abrevaya et al.	8,900,626	B2	12/2014	Ogawa et al.
5,028,435	A	7/1991	Katz et al.	8,906,427	B2	12/2014	Maskin
5,123,900	A	6/1992	Wick	9,115,078	B2	8/2015	Smith et al.
5,135,518	A	8/1992	Vera	9,216,028	B2	12/2015	Korb et al.
5,179,944	A	1/1993	McSymytz	9,445,939	B2	9/2016	Bruder et al.
5,300,104	A	4/1994	Gaudreault et al.	9,592,149	B2	3/2017	Hidaka et al.
5,314,005	A	5/1994	Dobry	D783,854	S *	4/2017	Biser
RE34,692	E	8/1994	Becher	9,642,740	B2	5/2017	Bruder et al.
5,366,491	A	11/1994	Ingram et al.	9,671,134	B2	6/2017	Saita et al.
5,378,475	A	1/1995	Smith et al.	9,719,977	B2	8/2017	Korb et al.
5,409,472	A	4/1995	Rawlings et al.	9,724,230	B2	8/2017	Badawi
5,413,788	A	5/1995	Edwards et al.	9,763,827	B2	9/2017	Kelleher et al.
5,447,531	A	9/1995	Wood	9,925,087	B2	3/2018	Bruder et al.
5,584,086	A	12/1996	Vanwinkle et al.	9,999,539	B2	6/2018	Johnson
5,697,961	A	12/1997	Kiamil	10,105,259	B2	10/2018	Bruder et al.
5,846,559	A	12/1998	Hopp	2001/0009831	A1	7/2001	Schink et al.
5,890,487	A	4/1999	Kimmel	2002/0032153	A1	3/2002	Whitehouse
5,900,258	A	5/1999	Engler	2002/0193026	A1	12/2002	Ota et al.
5,935,486	A	8/1999	Bell et al.	2005/0022823	A1	2/2005	Davison et al.
5,977,428	A	11/1999	Bozigian et al.	2005/0118383	A1	6/2005	Cargill et al.
5,984,995	A	11/1999	White	2005/0278008	A1 *	12/2005	Ladmer
6,017,606	A	1/2000	Sage et al.				A61F 7/02
6,019,782	A	2/2000	Davis et al.	2007/0009583	A1	1/2007	607/109
6,045,820	A	4/2000	Messier	2008/0200885	A1	8/2008	Qvist
6,169,223	B1	1/2001	Mahr et al.	2008/0251085	A1	10/2008	Schwebel
6,353,145	B1	3/2002	Church	2009/0043365	A1	2/2009	Schwebel
6,409,746	B1	6/2002	Igaki et al.	2009/0104243	A1	4/2009	Friedland et al.
6,537,308	B2	3/2003	Burkhart	2009/0149925	A1	6/2009	Utkhede et al.
6,576,004	B2	6/2003	Johnston	2009/0175926	A1	7/2009	MacDonald et al.
6,592,888	B1	7/2003	Jensen et al.	2009/0287282	A1	11/2009	Adams
6,617,490	B1	9/2003	Chen et al.	2009/0287283	A1	11/2009	Biser et al.
6,641,264	B1	11/2003	Schwebel	2010/0106111	A1	4/2010	Biser et al.
6,752,998	B2	6/2004	Verdrel-Lahaxe et al.	2010/0106111	A1	4/2010	Schwebel et al.
6,823,860	B2	11/2004	Igaki et al.	2010/0145469	A1	6/2010	Schwebel et al.
6,874,884	B2	4/2005	Schwebel	2011/0208279	A1	8/2011	Barralet et al.
7,036,928	B2	5/2006	Schwebel	2011/0307041	A1	12/2011	Sanker
7,137,965	B2	11/2006	Fischer et al.	2012/0128763	A1	5/2012	Floyd
7,211,070	B2	5/2007	Soroudi	2012/0128763	A1	5/2012	Maskin
7,231,922	B2	6/2007	Davison et al.	2013/0071322	A1	3/2013	Figuly
7,357,500	B2	4/2008	Schwebel	2013/0131613	A1	5/2013	Elkins
7,513,893	B2	4/2009	Soroudi	2013/0317460	A1	11/2013	Bruder et al.
7,559,907	B2	7/2009	Krempel et al.	2013/0317460	A1	11/2013	Bruder et al.
7,601,168	B2	10/2009	Koby et al.	2014/0142667	A1	5/2014	Biser et al.
7,652,228	B2	1/2010	Igaki et al.	2014/0277303	A1	9/2014	Biser et al.
7,976,573	B2	7/2011	Korb et al.	2014/0288624	A1	9/2014	Wasko et al.
7,981,147	B2	7/2011	Korb et al.	2015/0182415	A1	7/2015	Olkowski et al.
8,025,689	B2	9/2011	Korb et al.	2016/0120692	A1	5/2016	Chen
8,034,092	B2	10/2011	Bruder et al.	2016/0206476	A1	7/2016	Robertson et al.
8,109,964	B2	2/2012	Payne	2017/0049614	A1	2/2017	Paulson
8,114,433	B2	2/2012	Huey et al.	2017/0252210	A1	9/2017	Bruder
8,202,853	B2	6/2012	Adkins, Jr.	2017/0266035	A1	9/2017	Kuo
8,235,954	B2	8/2012	Soroudi	2017/0266053	A1	9/2017	Rodriguez
				2018/0289531	A1	10/2018	Thomas et al.
				2018/0338864	A1	11/2018	Paulson
				2019/0000666	A1	1/2019	Bruder
				2019/0053940	A1	2/2019	Biser et al.
				2019/0083299	A1	3/2019	Rozanski
				2019/0125579	A1	5/2019	Habib

(56)

References Cited

U.S. PATENT DOCUMENTS

2019/0159929 A1 5/2019 Bruder
 2019/0183671 A1 6/2019 Baltazar
 2019/0216639 A1* 7/2019 Bruder A61F 7/02

FOREIGN PATENT DOCUMENTS

EP 0457977 A1 11/1991
 EP 0691113 A1 1/1996
 EP 1652536 A1 5/2006
 EP 1328225 B1 3/2010
 FR 2370479 A1 6/1978
 GB 1315431 5/1973
 GB 1417962 12/1975
 GB 2228682 A 9/1990
 GB 2259858 A 3/1993
 JP H07112021 A 5/1995
 WO 9213576 A1 8/1992
 WO 0178797 A1 10/2001
 WO 0222060 A1 3/2002
 WO 2014143139 A1 9/2014

OTHER PUBLICATIONS

Cerdak Corporation, Home page, online, accessed Jun. 30, 2015
 <<http://www.cerdak.co.za/Home/>>.

Cerdak Corporation, "Products," online, accessed Jun. 30, 2015
 <<http://www.cerdak.co.za/Products/>>.
 File History for U.S. Appl. No. 10/341,806.
 File History for U.S. Appl. No. 13/291,059.
 Healthcare Packaging; date unknown; 3 pages.
 Healthcare Packaging; Examining Transdermal Delivery Develop-
 ments; May 1, 2013; 5 pages.
 International Preliminary Examination report for PCT/US01/28908
 dated May 27, 2003.
 International Search Report for PCT/US01/28908 dated Jan. 24,
 2002.
 International Search Report for PCT/US13/53221 dated Oct. 17,
 2013.
 Non-Patent Literature cited by EPO in Examination of EP 0691113
 dated May 31, 1995.
 Patent Owner Amended Infringement Contentions for U.S. Pat. No.
 8,420,882 filed Jun. 24, 2014.
 Supplementary European Search Report for EP Application 01 97
 3065 dated Aug. 1, 2006.
 "Technology helps heal chronic wounds," Mraz, S. 2011, Machine
 Design, online, 5 pp., accessed Jun. 30, 2015. <<http://machinedesign.com/medical/technology-helps-heal-chronic-wounds/>>.
 U.S. Appl. No. 60/232,826, filed Sep. 15, 2000.
 U.S. Appl. No. 60/349,335, filed Jan. 14, 2002.
 Zmedica—QuikClot Sport Silver; date unknown; 1 page.

* cited by examiner

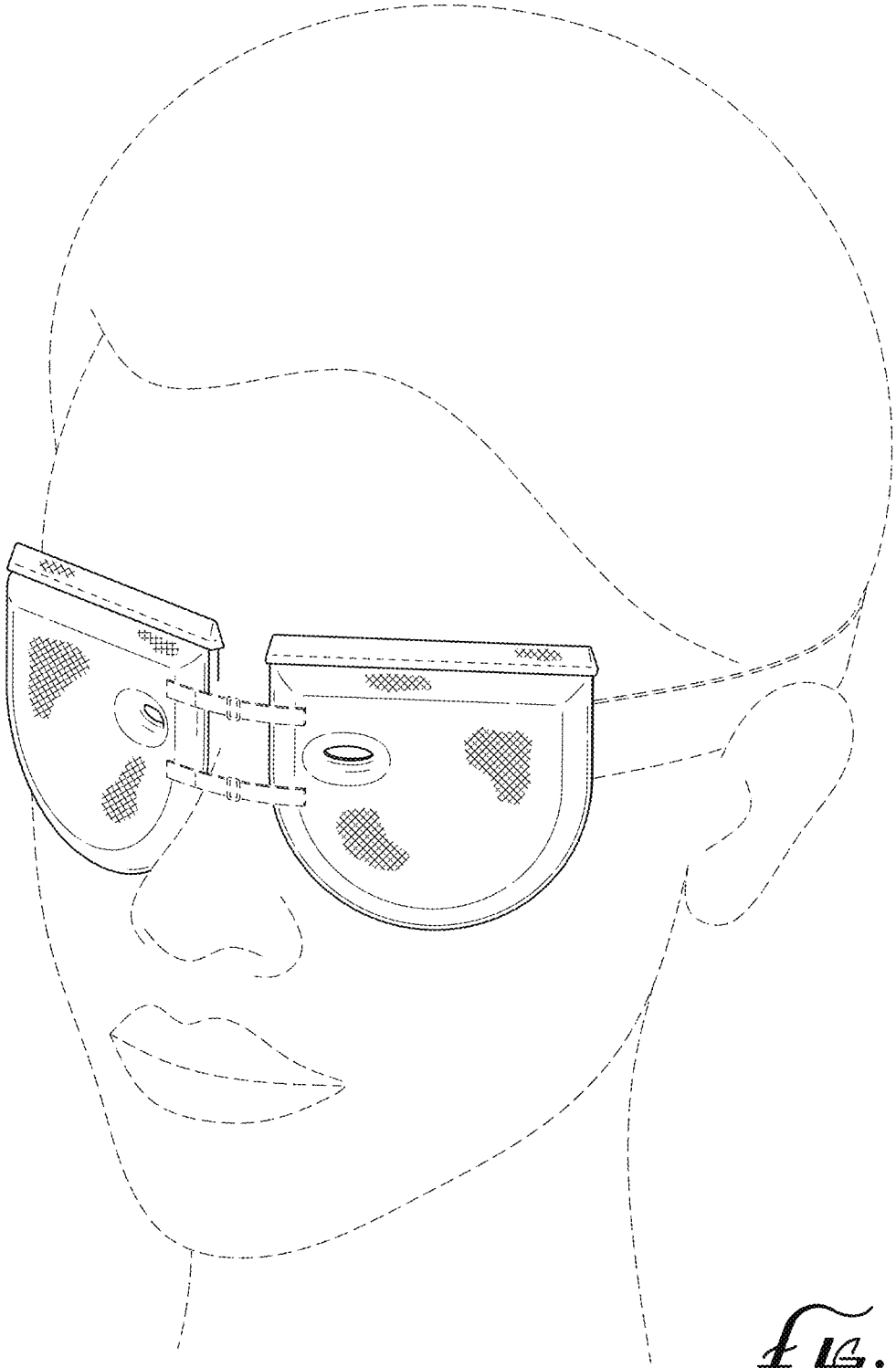


FIG. 1

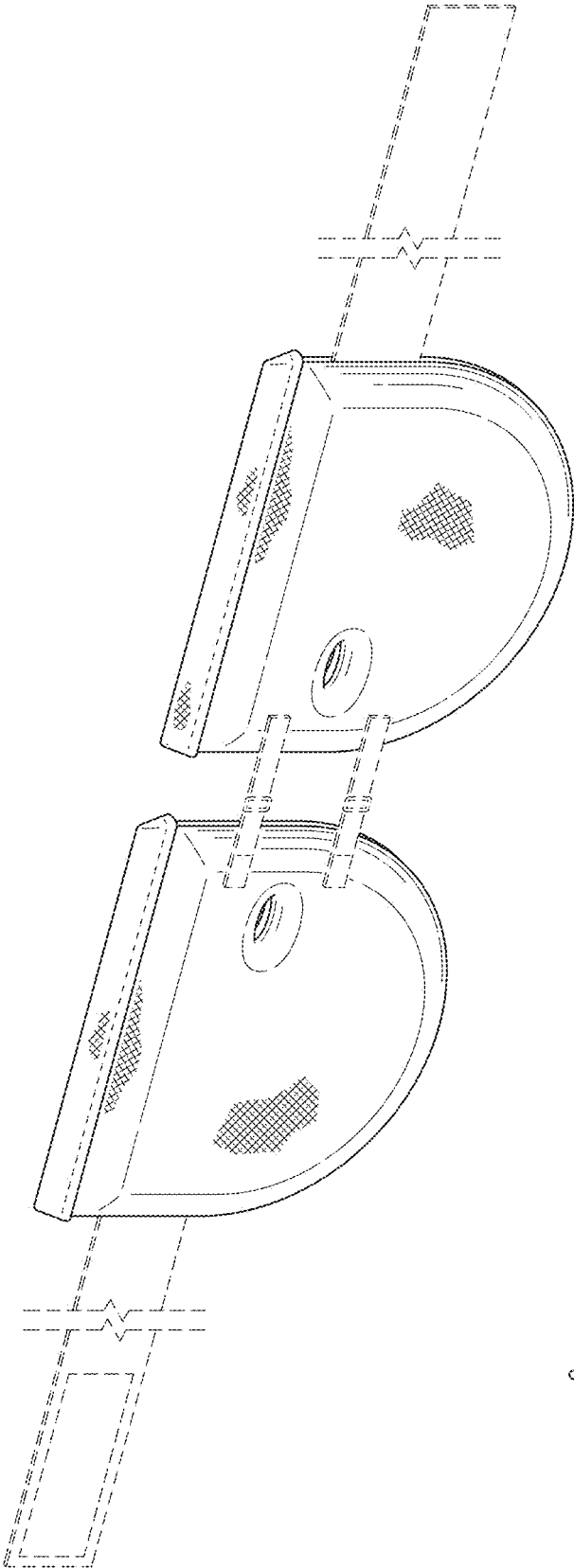


FIG. 2

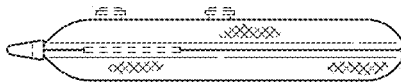


FIG. 3

FIG. 4

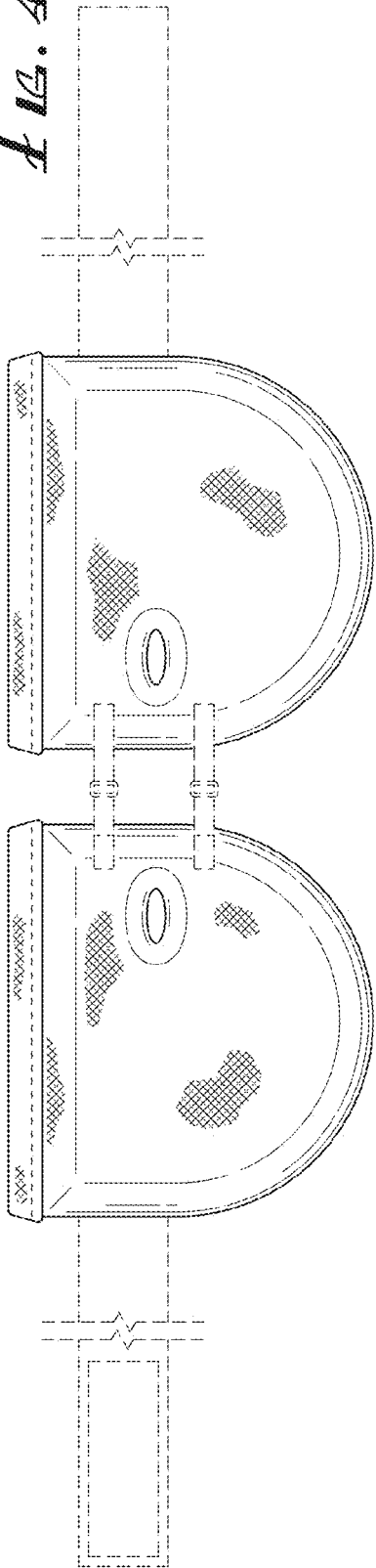


FIG. 5

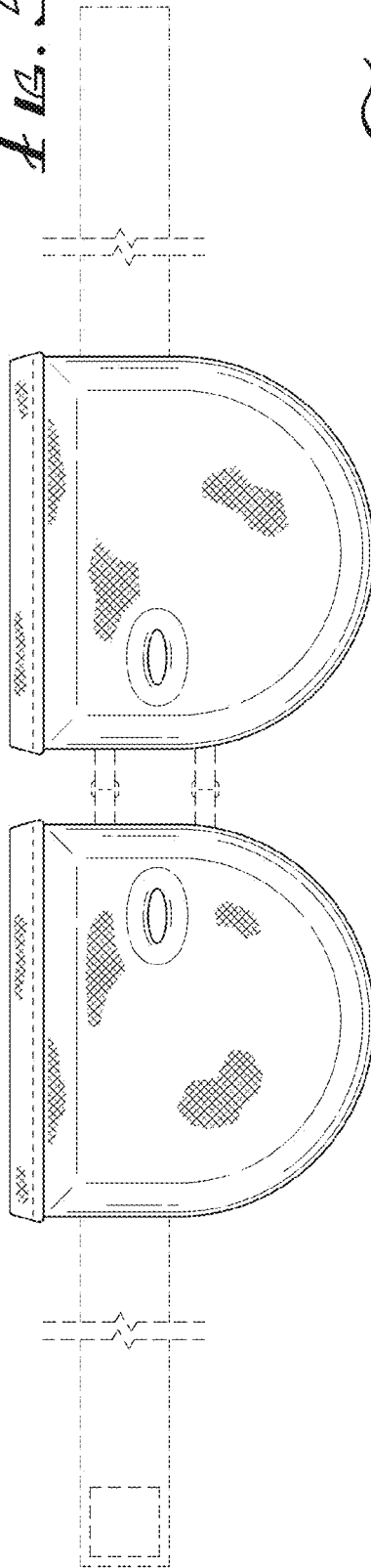


FIG. 6

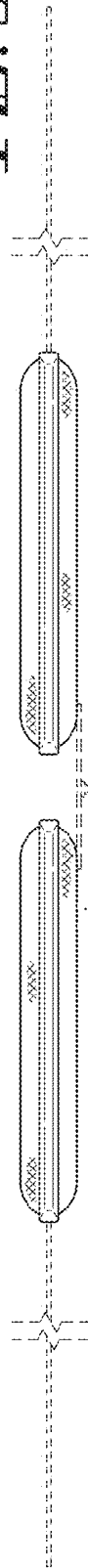


FIG. 7

