



US00D995320S

(12) **United States Design Patent**
Mille

(10) **Patent No.:** **US D995,320 S**

(45) **Date of Patent:** **** Aug. 15, 2023**

(54) **WATCH**

D790,991 S * 7/2017 Mille D10/30
D924,079 S * 7/2021 Mille D10/39
D929,874 S * 9/2021 Mille D10/39

(71) Applicant: **Turlen Holding SA**, Les Breuleux (CH)

(72) Inventor: **Richard Mille**, Moulins (FR)

FOREIGN PATENT DOCUMENTS

WO WO-D080785-013 * 4/2013
WO WO-D213000-008 * 3/2021

(**) Term: **15 Years**

(21) Appl. No.: **35/513,920**

OTHER PUBLICATIONS

(22) Filed: **Sep. 28, 2021**

Haute Time, Three Snake Watches Wrapped in History, posted Sep. 3, 2015, [online], [visited Mar. 20, 2023]. Internet, <URL: https://www.hautetime.com/three-snake-watches-wrapped-in-history/68765/> (Year: 2015).*
Amazon, Teenagers Dual Display Waterproof Dual Time Watch, posted Jan. 4, 2022, [online], [visited Mar. 20, 2023]. Internet, <URL: https://www.amazon.co.uk/Teenagers-Dual-Display-Waterproof-Dual-Time-Multifunctional/dp/B09MF0CP2DB/ref> (Year: 2022).*
Amazon, Kimsdun Skeleton Sport Watch, posted Jul. 24, 2022, [online], [visited Mar. 20, 2023]. Internet, <URL: https://www.amazon.co.uk/KIMSDUN-Stylish-Waterproof-Wristwatch-Transparent-Blue-Blue/dp/B0B4PQ51JQ/ref> (Year: 2022).*

(80) **Hague Agreement Data**

Int. Filing Date: **Sep. 28, 2021**
Int. Reg. No.: **DM/217308**
Int. Reg. Date: **Sep. 28, 2021**
Int. Reg. Pub. Date: **Apr. 1, 2022**

* cited by examiner

(51) **LOC (14) Cl.** **10-02**

(52) **U.S. Cl.**

USPC **D10/39**

(58) **Field of Classification Search**

USPC D10/1, 125, 122, 123, 124, 126, 132, 30,
D10/31, 32, 38, 39
CPC G04B 37/00; G04B 37/0008; G04B 37/04;
G04B 37/06; G04B 37/12; G04B 37/18;
G04B 39/00; G04B 39/002; G04B
39/004; G04B 19/00; G04B 19/02; G04B
19/04; G04B 19/06; G04B 19/08; G04B
19/20; G04B 39/008; G04B 39/02

Primary Examiner — Samantha Wood

See application file for complete search history.

(57) **CLAIM**

The ornamental design for a watch, as shown and described.

(56) **References Cited**

U.S. PATENT DOCUMENTS

D458,853 S * 6/2002 Finazzi D10/39
D462,908 S * 9/2002 Lepeu D10/30
D658,514 S * 5/2012 Mille D10/39
D714,662 S * 10/2014 Mille D10/39
D732,405 S * 6/2015 Mille D10/125
D732,407 S * 6/2015 Mille D10/34
D736,653 S * 8/2015 Mille D10/39
D751,422 S * 3/2016 Mille D10/34
D753,512 S * 4/2016 Mille D10/125

DESCRIPTION

- 1. Watch
- 1.1 : Front
- 1.2 : Back
- 1.3 : Right
- 1.4 : Left
- 1.5 : Bottom
- 1.6 : Top
- 1.7 : Perspective

The portions of the watch shown in broken lines form no part of the claimed design.

1 Claim, 7 Drawing Sheets

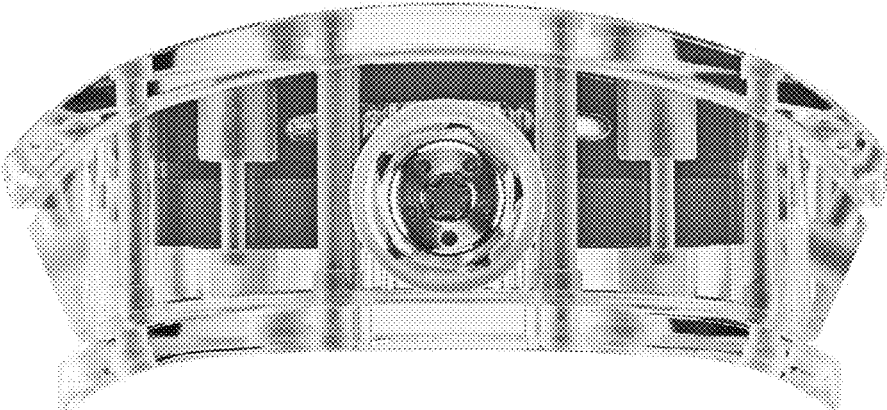




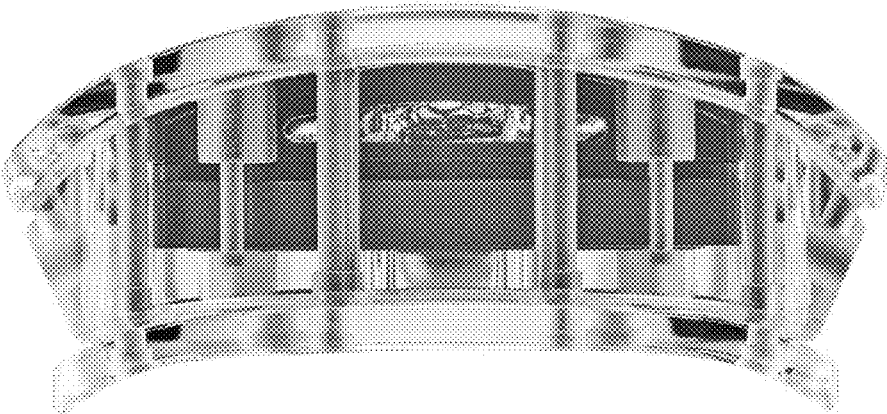
1.1



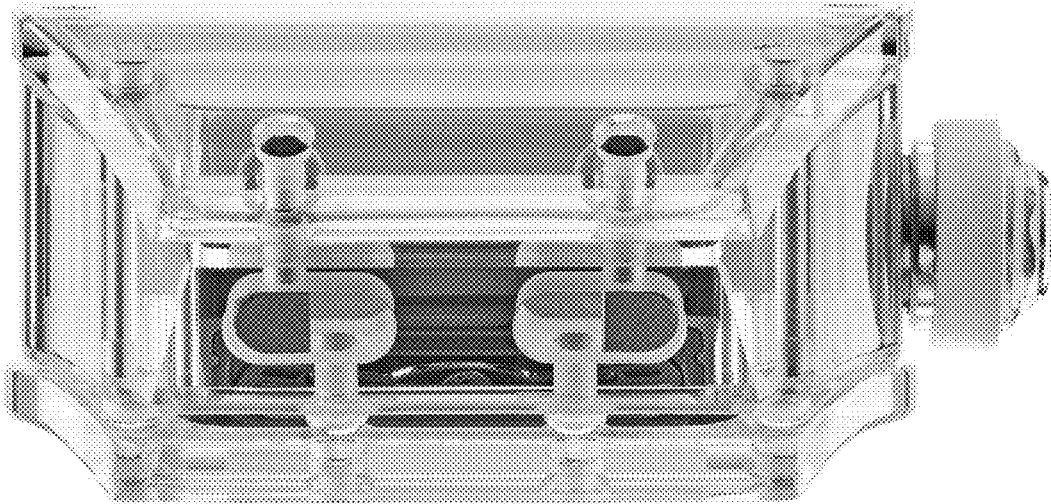
1.2



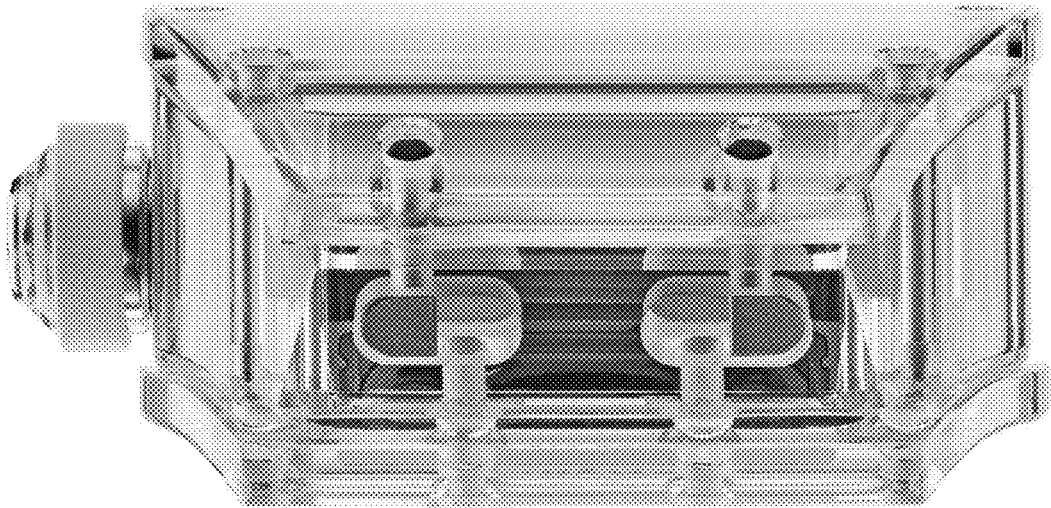
1.3



1.4



1.5



1.6



1.7