

(19) World Intellectual Property
Organization
International Bureau



(43) International Publication Date
4 November 2004 (04.11.2004)

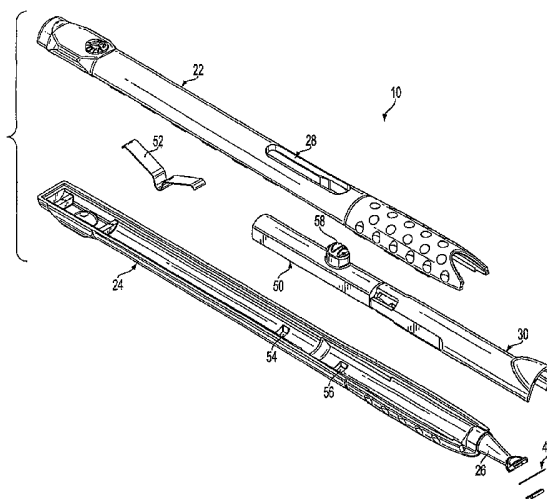
PCT

(10) International Publication Number
WO 2004/093924 A3

- (51) International Patent Classification⁷: A61B 17/32
- (21) International Application Number: PCT/US2004/012213
- (22) International Filing Date: 21 April 2004 (21.04.2004)
- (25) Filing Language: English
- (26) Publication Language: English
- (30) Priority Data:
10/420,614 22 April 2003 (22.04.2003) US
60/519,614 14 November 2003 (14.11.2003) US
- (71) Applicant (for all designated States except US): BECTON, DICKINSON AND COMPANY [US/US]; 1 Becton Drive, Franklin Lakes, NJ 07417 (US).
- (72) Inventors: MORAWSKI, Michael; 151 Pilgrim Road, Haverhill, MA 01832 (US). COTE, Dana; 22 Lewis Lane, Saugus, MA 01906 (US). THRAILKILL, Patrick; 137 Woodin Street, Hamden, CT 06514 (US). SEEBAUER, David; 53 Shagbark Drive, Southington, CT 06489 (US). RAJASEKARAN, Mohan; 295 Redstone Hill Road, Apt. 24, Bristol, CT 06010 (US). RAPP, Brian; 9 Mizoras Drive, Nashua, NH 03062 (US).
- (74) Agents: HOLMES, John et al.; ROYLANCE, ABRAMS BERDO & GOODMAN, L.L.P., 1300 19th Street, N.W., Suite 600, Washington, DC 20036 (US).
- (81) Designated States (unless otherwise indicated, for every kind of national protection available): AE, AG, AL, AM, AT, AU, AZ, BA, BB, BG, BR, BW, BY, BZ, CA, CH, CN, CO, CR, CU, CZ, DE, DK, DM, DZ, EC, EE, EG, ES, FI, GB, GD, GE, GH, GM, HR, HU, ID, IL, IN, IS, JP, KE, KG, KP, KR, KZ, LC, LK, LR, LS, LT, LU, LV, MA, MD, MG, MK, MN, MW, MX, MZ, NA, NI, NO, NZ, OM, PG, PH, PL, PT, RO, RU, SC, SD, SE, SG, SK, SL, SY, TJ, TM, TN, TR, TT, TZ, UA, UG, US, UZ, VC, VN, YU, ZA, ZM, ZW.
- (84) Designated States (unless otherwise indicated, for every kind of regional protection available): ARIPO (BW, GH, GM, KE, LS, MW, MZ, SD, SL, SZ, TZ, UG, ZM, ZW), Eurasian (AM, AZ, BY, KG, KZ, MD, RU, TJ, TM), European (AT, BE, BG, CH, CY, CZ, DE, DK, EE, ES, FI, FR, GB, GR, HU, IE, IT, LU, MC, NL, PL, PT, RO, SE, SI, SK, TR), OAPI (BF, BJ, CF, CG, CI, CM, GA, GN, GQ, GW, ML, MR, NE, SN, TD, TG).
- Published:
— with international search report

[Continued on next page]

(54) Title: SURGICAL KNIFE SAFETY HANDLE



(57) Abstract: A surgical knife safety device (10 or 100) having a handle (20 or 120), a blade (40 or 140) connected to the handle, and a guard (30 or 130) carried by the handle for sliding movement between a retracted position in which the blade is exposed for use, and an extended position for covering the sharp cutting edge of the blade. In the retracted position, an enlarged guard (30 or 130) radius is provided at the distal end of the handle (20 or 120) to allow improved handle control and blade orientation. The enlarged guard radius is positioned to allow the user to firmly grip a large distal handle portion which is preferably molded as a single piece with the blade holder (26 or 126), preventing unwanted blade or handle movement due to guard mechanism tolerances. A spring, such as leaf spring (52 or 152), and a pair of detents (54, 56) or slots (154, 156) are provided to fix the guard (30 or 130) in the extended or retracted position, and provide resistance during movement between the two positions. Additionally, an antitravel mechanism is incorporated in the guard to prevent accidental retraction from the fully extended position.

WO 2004/093924 A3



(88) Date of publication of the international search report:
22 September 2005

For two-letter codes and other abbreviations, refer to the "Guidance Notes on Codes and Abbreviations" appearing at the beginning of each regular issue of the PCT Gazette.

INTERNATIONAL SEARCH REPORT

International application No.

PCT/US04/12213

A. CLASSIFICATION OF SUBJECT MATTER

IPC(7) : A61B 17/32

US CL : 606/167

According to International Patent Classification (IPC) or to both national classification and IPC

B. FIELDS SEARCHED

Minimum documentation searched (classification system followed by classification symbols)

U.S. : 606/167

Documentation searched other than minimum documentation to the extent that such documents are included in the fields searched

Electronic data base consulted during the international search (name of data base and, where practicable, search terms used)

C. DOCUMENTS CONSIDERED TO BE RELEVANT

Category *	Citation of document, with indication, where appropriate, of the relevant passages	Relevant to claim No.
X	US 5,620,454 A (PIERCE et al) 15 April 1997, entire documents.	1-19 and 21-27

Further documents are listed in the continuation of Box C.

See patent family annex.

* Special categories of cited documents:

"A" document defining the general state of the art which is not considered to be of particular relevance

"E" earlier application or patent published on or after the international filing date

"L" document which may throw doubts on priority claim(s) or which is cited to establish the publication date of another citation or other special reason (as specified)

"O" document referring to an oral disclosure, use, exhibition or other means

"P" document published prior to the international filing date but later than the priority date claimed

"T" later document published after the international filing date or priority date and not in conflict with the application but cited to understand the principle or theory underlying the invention

"X" document of particular relevance; the claimed invention cannot be considered novel or cannot be considered to involve an inventive step when the document is taken alone

"Y" document of particular relevance; the claimed invention cannot be considered to involve an inventive step when the document is combined with one or more other such documents, such combination being obvious to a person skilled in the art

"&" document member of the same patent family

Date of the actual completion of the international search

10 September 2004 (10.09.2004)

Date of mailing of the international search report

31 JAN 2005

Name and mailing address of the ISA/US

Mail Stop PCT, Attn: ISA/US
Commissioner for Patents
P.O. Box 1450
Alexandria, Virginia 22313-1450

Facsimile No. (703) 305-3230

Authorized officer

Kevin T. Truong

Telephone No. 703-308-0858