



US00D741967S

(12) **United States Design Patent**
Davis et al.

(10) **Patent No.:** **US D741,967 S**

(45) **Date of Patent:** **** Oct. 27, 2015**

(54) **PUTTER HEAD**

(71) Applicants: **Lavonne R Davis**, Naples, FL (US);
Frank A Fornari, Naples, FL (US)

(72) Inventors: **Lavonne R Davis**, Naples, FL (US);
Frank A Fornari, Naples, FL (US)

(73) Assignee: **Biomech Golf, LLC**, Naples, FL (US)

(**) Term: **14 Years**

(21) Appl. No.: **29/506,214**

(22) Filed: **Oct. 14, 2014**

(51) **LOC (10) Cl.** **21-02**

(52) **U.S. Cl.**
USPC **D21/736**

(58) **Field of Classification Search**
USPC D21/736-746, 759
CPC ... A63B 53/065; A63B 53/0487; A63B 53/00
See application file for complete search history.

(56) **References Cited**

U.S. PATENT DOCUMENTS

5,830,078	A	*	11/1998	McMahan	473/252
D410,056	S	*	5/1999	McMahan	D21/744
D500,109	S	*	12/2004	Solheim et al.	D21/736
D500,110	S	*	12/2004	Solheim et al.	D21/742
D502,518	S	*	3/2005	Smart	D21/736

6,960,140	B2	*	11/2005	Solheim et al.	473/251
D532,842	S	*	11/2006	Jones et al.	D21/736
D532,843	S	*	11/2006	Jones et al.	D21/736
7,235,021	B2	*	6/2007	Solheim et al.	473/251
D600,760	S	*	9/2009	Serrano et al.	D21/736
D617,857	S	*	6/2010	Sones	D21/746
2007/0243951	A1	*	10/2007	Nishino	473/340

* cited by examiner

Primary Examiner — Mitchell Siegel

(74) *Attorney, Agent, or Firm* — Quarles & Brady LLP

(57) **CLAIM**

The ornamental design for a putter head, as shown and described.

DESCRIPTION

FIG. 1 is a top, left side perspective view of a putter head embodying our new design:

FIG. 2 is a top plan view thereof;

FIG. 3 is a bottom plan view thereof.

FIG. 4 is a side elevational view thereof.

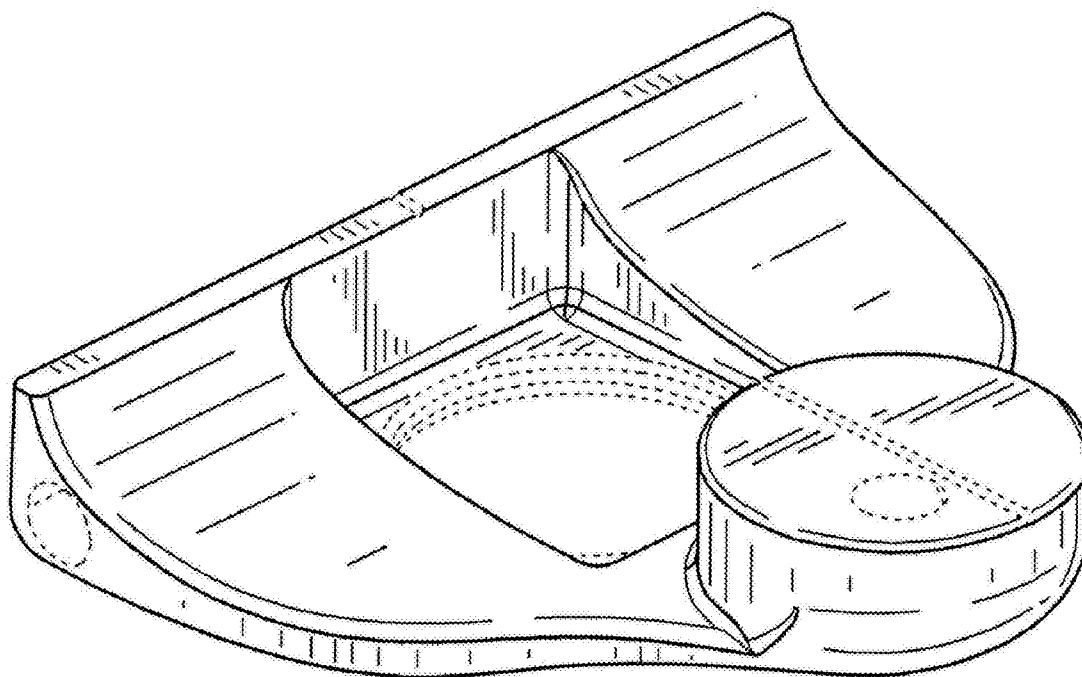
FIG. 5 is a rear elevational view thereof; and,

FIG. 6 is a front elevational view thereof.

In a preferred embodiment, the nature of this product is a putter head for a golf club.

The broken line representations of items in FIGS. 1-6 are for purposes of illustration only, and form no part of the claimed design.

1 Claim, 3 Drawing Sheets



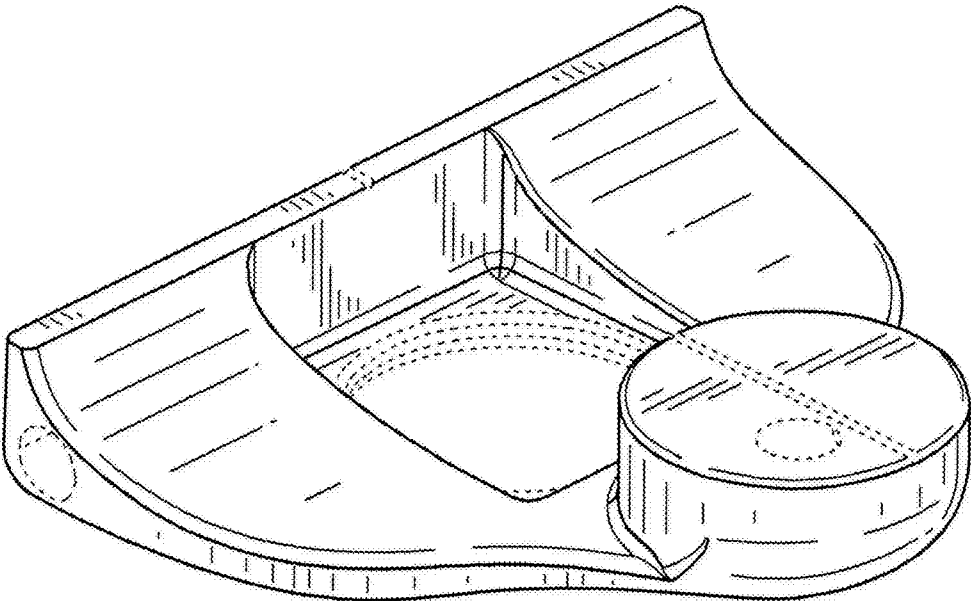


FIG. 1

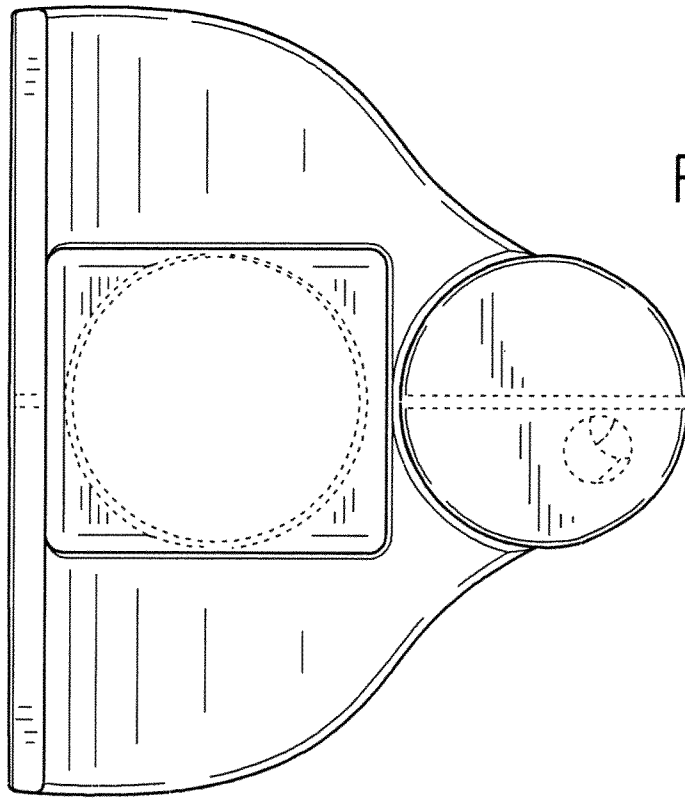


FIG. 2

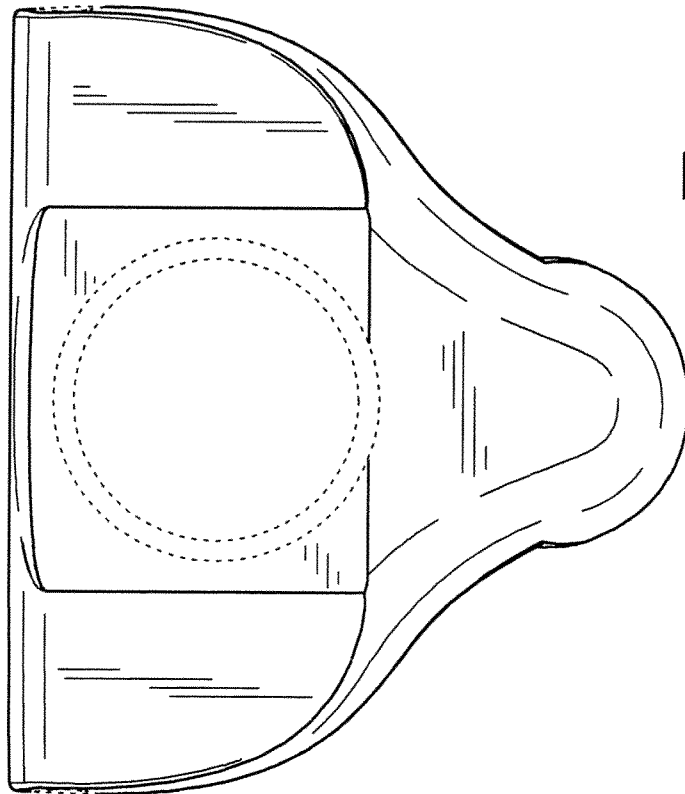


FIG. 3

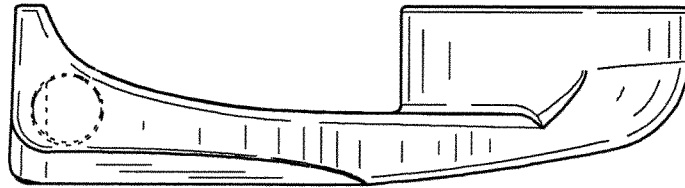


FIG. 4

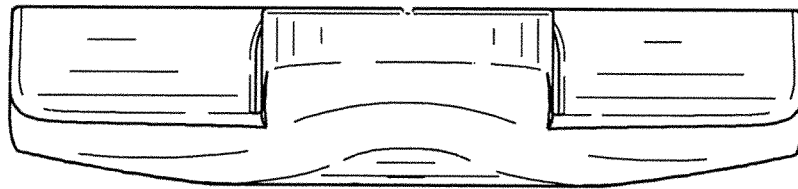


FIG. 5

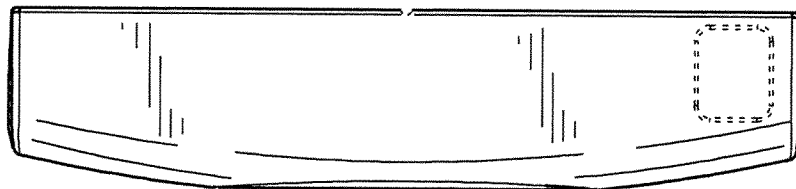


FIG. 6