



(12) **United States Design Patent**  
**Jansen et al.**

(10) **Patent No.:** **US D958,188 S**  
(45) **Date of Patent:** **\*\* Jul. 19, 2022**

(54) **DISPLAY SCREEN OR PORTION THEREOF WITH ANIMATED GRAPHICAL USER INTERFACE**

FOREIGN PATENT DOCUMENTS

CN 306175518 \* 11/2020  
CN 306189880 \* 11/2020

(Continued)

(71) Applicant: **KONINKLIJKE PHILIPS N.V.**,  
Eindhoven (NL)

(72) Inventors: **Johannes Antonius Jansen**, Utrecht (NL); **Riccardo Vescovo**, Amsterdam (NL)

(73) Assignee: **KONINKLIJKE PHILIPS N.V.**,  
Eindhoven (NL)

(\*\*) Term: **15 Years**

(21) Appl. No.: **29/823,170**

(22) Filed: **Jan. 14, 2022**

**Related U.S. Application Data**

(62) Division of application No. 29/726,207, filed on Mar. 2, 2020, now Pat. No. Des. 944,292.

**Foreign Application Priority Data**

Sep. 2, 2019 (EM) ..... 006807731

(51) **LOC (13) Cl.** ..... **14-04**

(52) **U.S. Cl.**  
USPC ..... **D14/492**

(58) **Field of Classification Search**  
USPC ..... D14/485-495

(Continued)

(56) **References Cited**

U.S. PATENT DOCUMENTS

D509,510 S \* 9/2005 Hernandez ..... D14/489  
D671,955 S \* 12/2012 Song ..... D14/486

(Continued)

OTHER PUBLICATIONS

“Poor Mobile Phone” Sep. 10, 2017, Dribbble, site visited Sep. 30, 2021: <https://dribbble.com/shots/3796217-Poor-Mobile-Phone#> (Year: 2017).\*

(Continued)

*Primary Examiner* — Jack Reickel  
*Assistant Examiner* — Christopher M Spivey

(57) **CLAIM**

The ornamental design for a display screen or portion thereof with animated graphical user interface, as shown and described.

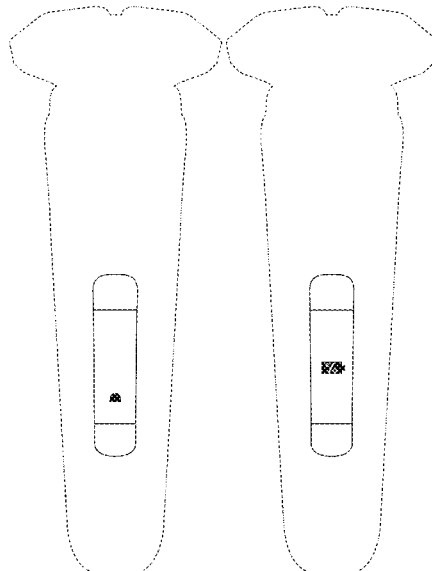
**DESCRIPTION**

FIG. 1 is a front view of a first image in a sequence of a display screen or portion thereof with animated graphical user interface, showing our new design; FIG. 2 is a front view of a second image thereof; FIG. 3 is a front view of a third image thereof; FIG. 4 is a front view of a fourth image thereof; FIG. 5 is a front view of a fifth image thereof; FIG. 6 is a front view of a sixth image thereof; and, FIG. 7 is a front view of a seventh image thereof.

The appearance of the animated graphical user interface sequentially transitions between the images shown in FIGS. 1-7. The process or period in which an image transitions to another image forms no part of the claimed design.

The broken lines show an exemplary article onto which the display screen is positioned, and form no part of the claimed design.

**1 Claim, 7 Drawing Sheets**



(58) **Field of Classification Search**

CPC . G01R 31/3646; Y02T 10/70; G06F 3/04817;  
 G06F 3/048; G06F 3/0481; G06F 3/0482;  
 G06F 3/0483; G06F 3/04842; G06F  
 3/0485; G06F 3/04855; G06F 3/0486;  
 G06F 3/0488; G06F 3/04886; G06F  
 1/165; H04W 52/0261

See application file for complete search history.

(56) **References Cited**

U.S. PATENT DOCUMENTS

8,784,271 B2\* 7/2014 Brumback ..... G06F 1/3265  
 482/8  
 D739,417 S \* 9/2015 Laverack ..... D14/485  
 D750,661 S \* 3/2016 Funnell, II ..... D14/487  
 D754,722 S \* 4/2016 Xu ..... D14/488  
 D767,628 S \* 9/2016 Kim ..... D14/488  
 D768,178 S \* 10/2016 Valade ..... D14/488  
 D774,518 S \* 12/2016 Lv ..... D14/485  
 D792,439 S \* 7/2017 Lee ..... D14/486  
 D801,373 S \* 10/2017 Vaglio ..... G06F 3/04842  
 D14/486  
 D818,002 S \* 5/2018 Park ..... D14/491  
 D857,032 S \* 8/2019 Devine ..... D14/485  
 D875,770 S \* 2/2020 Amini ..... D14/486  
 D893,534 S \* 8/2020 Lindberg ..... D14/490

D900,103 S \* 10/2020 Bidwell ..... D14/428  
 D916,886 S \* 4/2021 Choi ..... D14/489  
 D928,835 S \* 8/2021 Kuo ..... D14/492  
 D933,097 S \* 10/2021 Jeon ..... D14/492  
 D941,867 S \* 1/2022 Choi ..... D14/490  
 D944,292 S \* 2/2022 Jansen ..... D14/492  
 2014/0266731 A1\* 9/2014 Malhotra ..... G06F 1/163  
 340/573.1  
 2018/0253135 A1\* 9/2018 Singh ..... H04W 52/0261  
 2020/0050242 A1\* 2/2020 Seo ..... G06F 1/1656  
 2021/0081088 A1\* 3/2021 Voss ..... G06Q 10/107  
 2021/0162115 A1\* 6/2021 Surine ..... G06F 3/04886

FOREIGN PATENT DOCUMENTS

CN 307118535 \* 2/2022  
 WO D207363-001 \* 8/2020

OTHER PUBLICATIONS

“Shaver series 9000 SensoTouch | Philips | Wet & dry electric shaver | RQ1290” Mar. 2, 2016, YouTube, site visited Jun. 3, 2021: <http://youtube.com/watch?v=St272q6EPT0> (Year: 2016).\*  
 King, Oliver “Battery” Feb. 3, 2017, Dribbble, site visited Feb. 24, 2022: <https://dribbble.com/shots/3265215-Battery> (Year: 2017).\*

\* cited by examiner

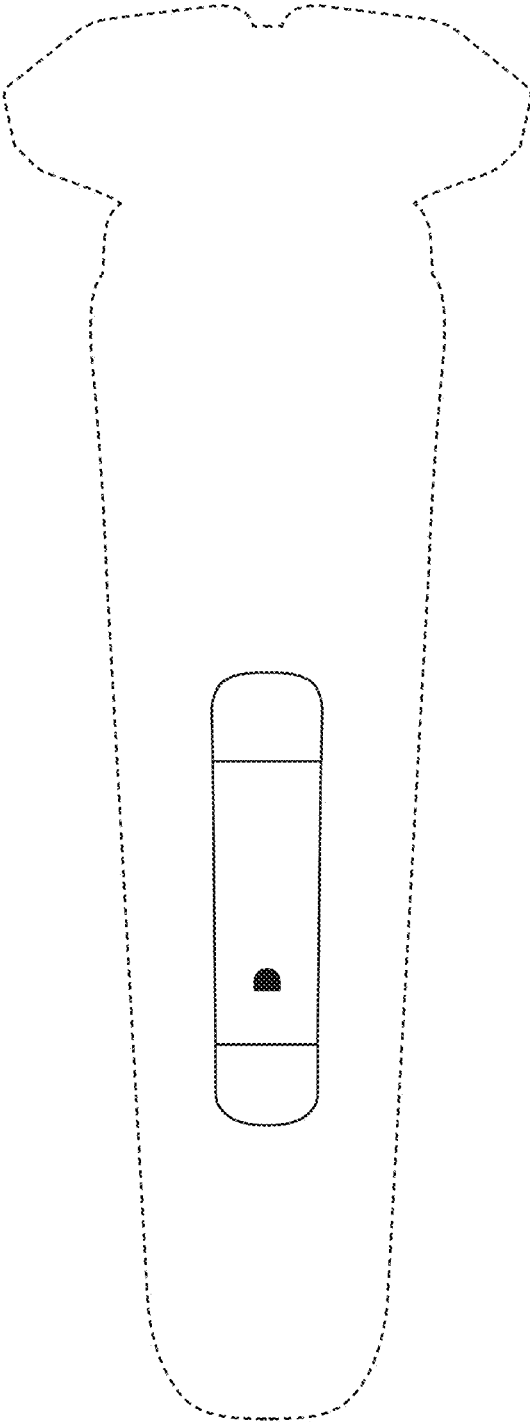


FIG. 1

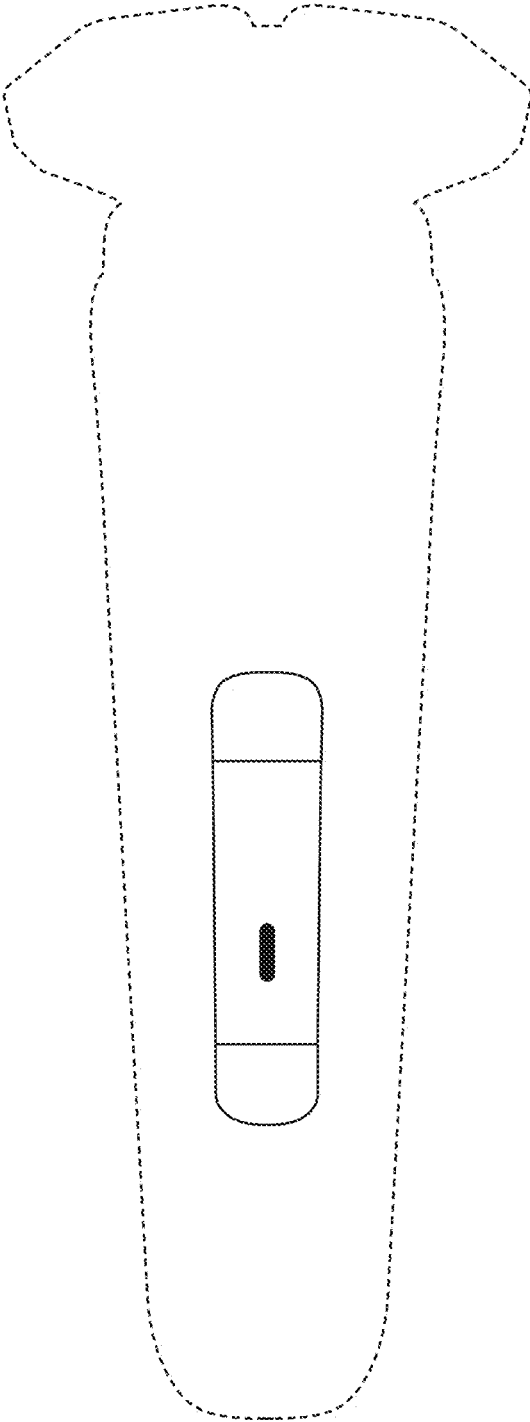


FIG. 2

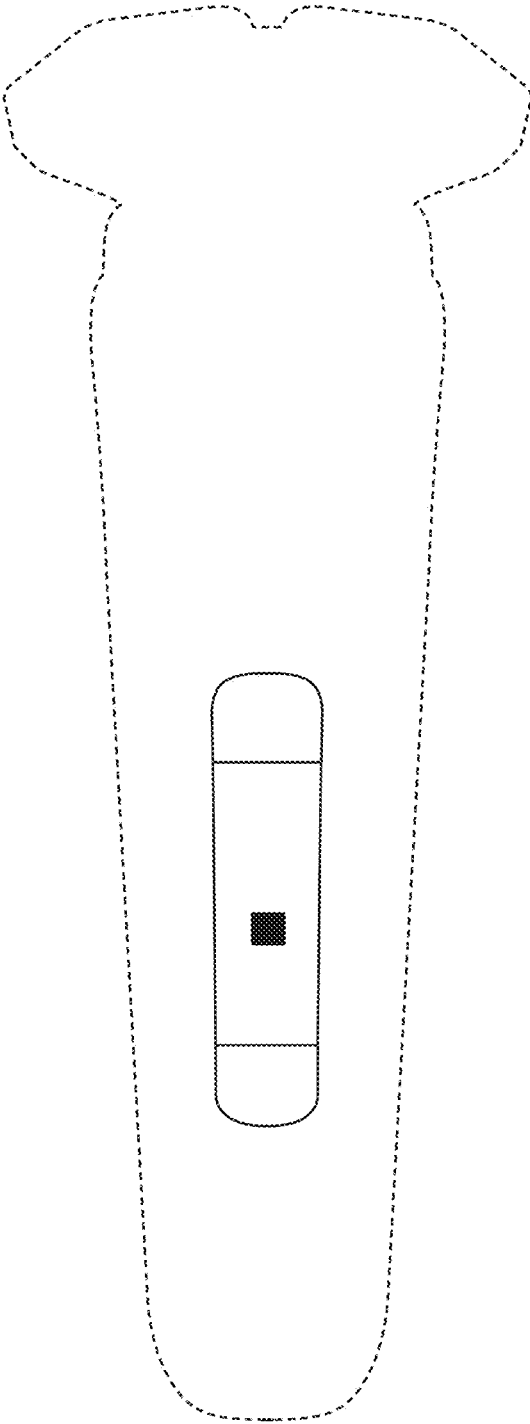


FIG. 3

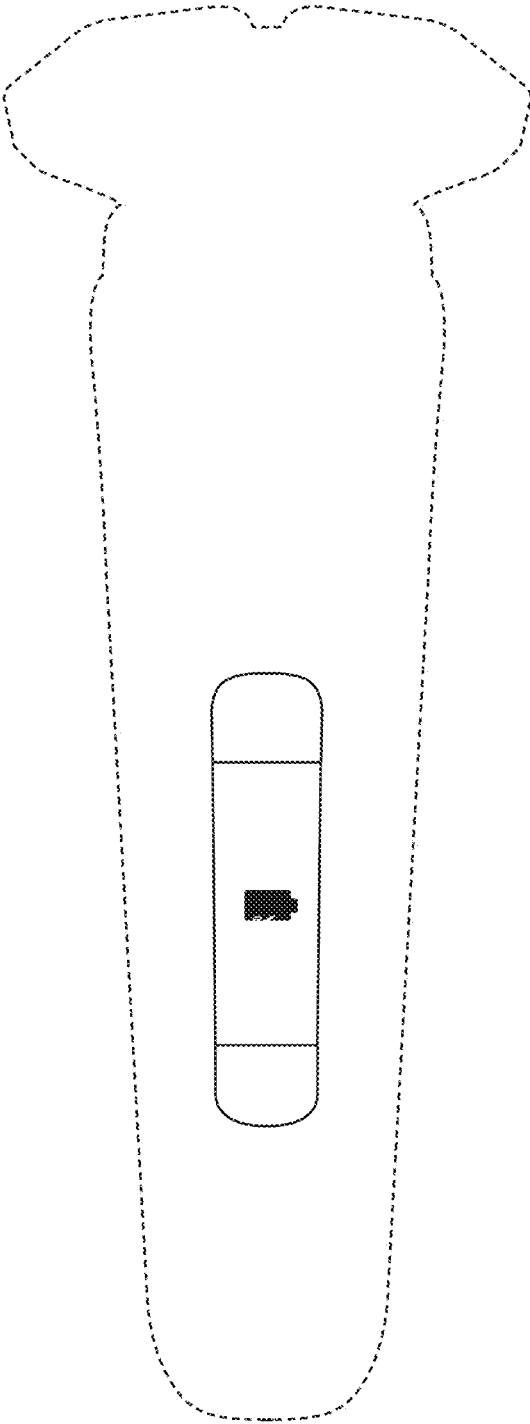


FIG. 4

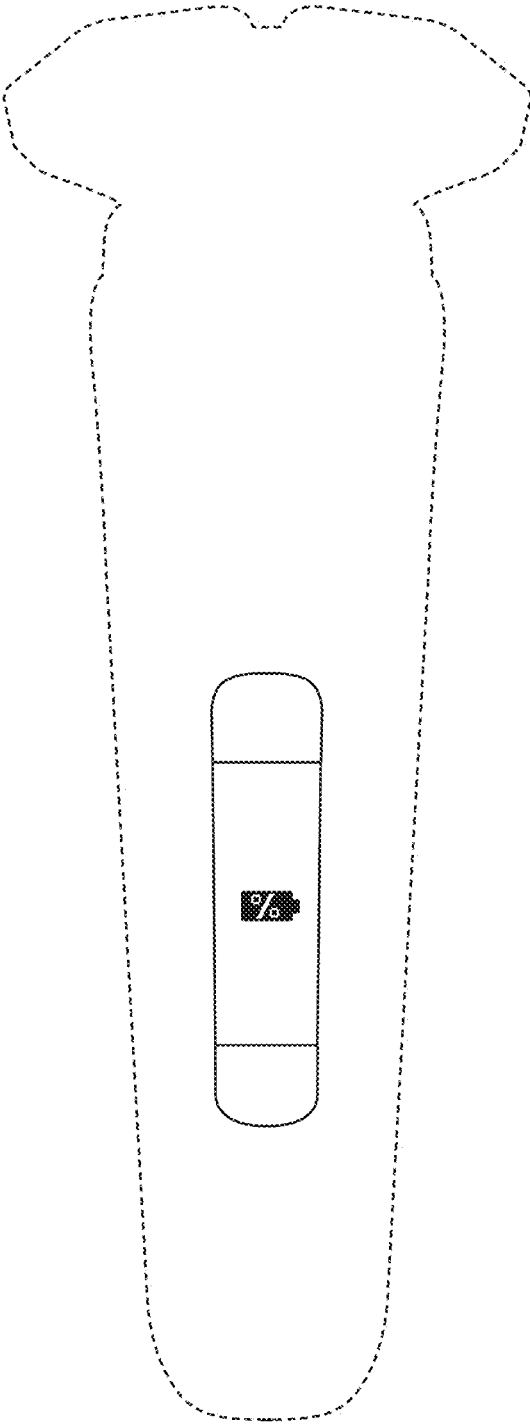


FIG. 5

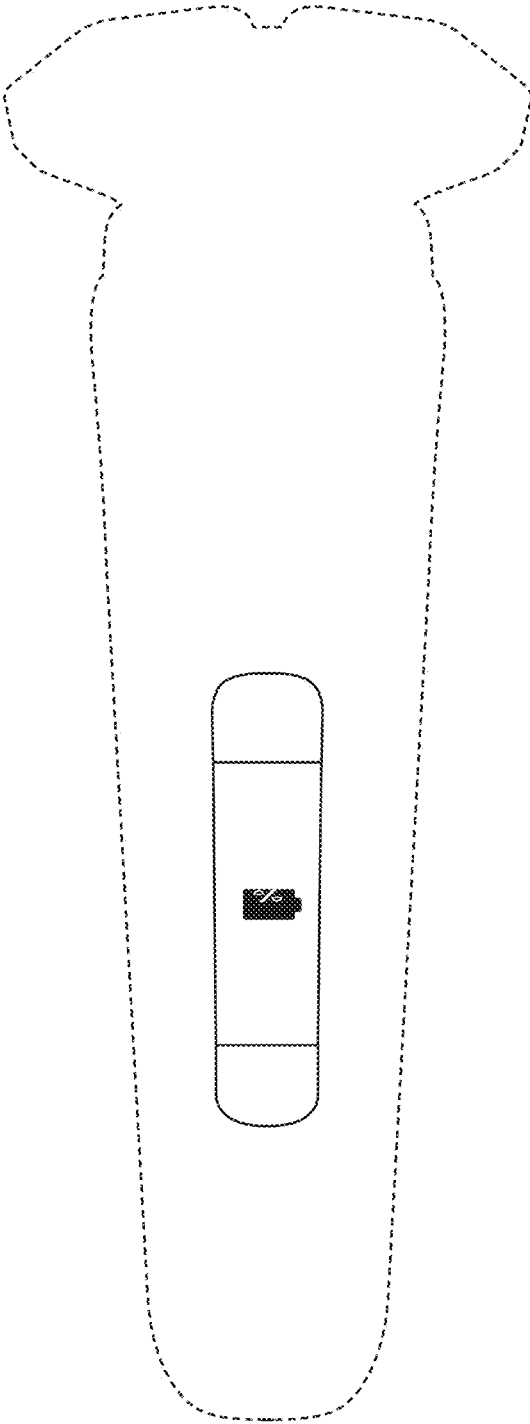


FIG. 6



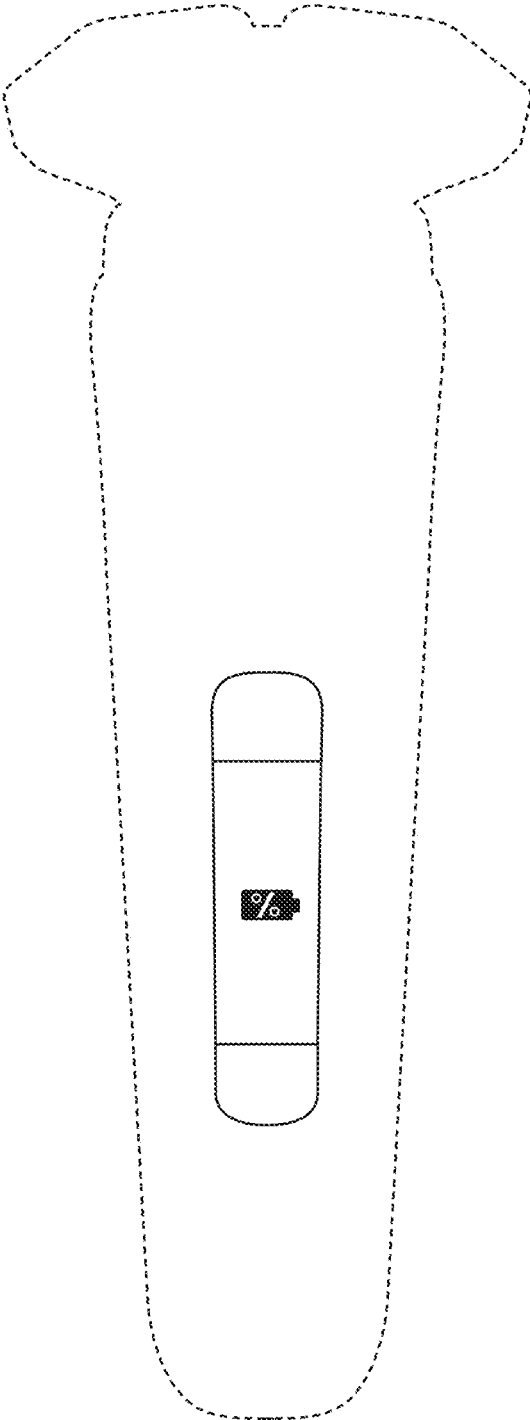


FIG. 7