

(19) World Intellectual Property Organization
International Bureau



(43) International Publication Date
13 March 2008 (13.03.2008)

PCT

(10) International Publication Number
WO 2008/030675 A3

- (51) International Patent Classification: **A61B 5/1459** (2006.01)
 - (21) International Application Number: PCT/US2007/074801
 - (22) International Filing Date: 31 July 2007 (31.07.2007)
 - (25) Filing Language: English
 - (26) Publication Language: English
 - (30) Priority Data: 60/834,496 31 July 2006 (31.07.2006) US
 - (71) Applicants (for all designated States except US): **HOSPIRA, INC.** [US/US]; 275 North Field Drive, Lake Forest, Illinois 60045-2579 (US). **NORMAN, John, S.** [US/US]; 3470 Grandmore Avenue, Gurnee, Illinois 60031 (US). **RAHMAN, Anis** [US/US]; 10113 136th Avenue, Kenosha, Wisconsin 53142 (US). **GRANT, Tage** [US/US]; 1735 West Diversey Parkway, Chicago, Illinois 60614 (US). **RUDZENA, William** [US/US]; 1317 West Channel Beach, McHenry, Illinois 60050 (US). **GOULD, Bradley** [US/US]; 1572 Maple Avenue, Evanston, Illinois 60201 (US). **CHOUDHURY, Hrishikesh** [US/US]; 3881 Woodlawn Avenue, Gurnee, Illinois 60031 (US).
 - (72) Inventor; and
 - (75) Inventor/Applicant (for US only): **BARCLAY, Brian** [US/US]; 11128 68th Avenue, Pleasant Prairie, Wisconsin 53158 (US).
 - (74) Agents: **WOODWORTH, Brian, R.** et al.; 275 North Field Drive, NLEG, H1, Lake Forest, Illinois 60045-2579 (US).
 - (81) Designated States (unless otherwise indicated, for every kind of national protection available): AE, AG, AL, AM, AT, AU, AZ, BA, BB, BG, BH, BR, BW, BY, BZ, CA, CH, CN, CO, CR, CU, CZ, DE, DK, DM, DO, DZ, EC, EE, EG, ES, FI, GB, GD, GE, GH, GM, GT, HN, HR, HU, ID, IL, IN, IS, JP, KE, KG, KM, KN, KP, KR, KZ, LA, LC, LK, LR, LS, LT, LU, LY, MA, MD, ME, MG, MK, MN, MW, MX, MY, MZ, NA, NG, NI, NO, NZ, OM, PG, PH, PL, PT, RO, RS, RU, SC, SD, SE, SG, SK, SL, SM, SV, SY, TJ, TM, TN, TR, TT, TZ, UA, UG, US, UZ, VC, VN, ZA, ZM, ZW.
 - (84) Designated States (unless otherwise indicated, for every kind of regional protection available): ARIPO (BW, GH, GM, KE, LS, MW, MZ, NA, SD, SL, SZ, TZ, UG, ZM, ZW), Eurasian (AM, AZ, BY, KG, KZ, MD, RU, TJ, TM), European (AT, BE, BG, CH, CY, CZ, DE, DK, EE, ES, FI, FR, GB, GR, HU, IE, IS, IT, LT, LU, LV, MC, MT, NL, PL, PT, RO, SE, SI, SK, TR), OAPI (BF, BJ, CF, CG, CI, CM, GA, GN, GQ, GW, ML, MR, NE, SN, TD, TG).
- Published:**
- with international search report
 - before the expiration of the time limit for amending the claims and to be republished in the event of receipt of amendments
- (88) Date of publication of the international search report: 27 November 2008

(54) Title: OXIMETRY PROBE ASSEMBLY HAVING A FLUID SEAL

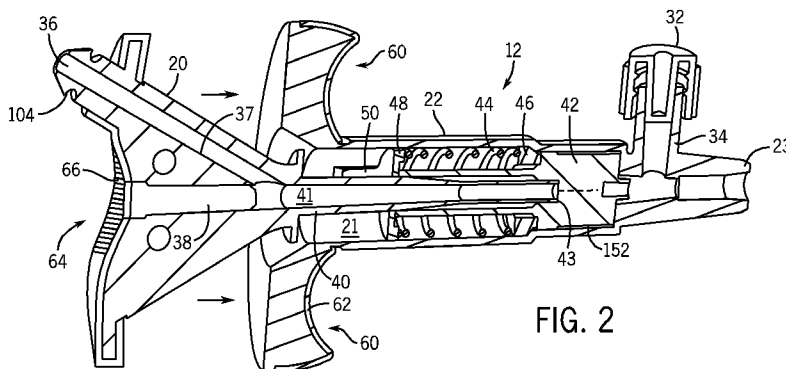


FIG. 2

(57) Abstract: An oximetry probe assembly includes fluid seal assembly taking the form of a manually actuated plunger which moves relative to a barrel having a seal placed therein. Depression of the plunger causes the seal to be deformed so as to permit insertion of an oximetry probe through the seal and advancement towards a central venous catheter. When the plunger is released, the seal is compressed against the barrel and the sheath of the oximetry probe to thereby form a fluid-tight seal. The plunger and barrel are preferably configured as a one-handed grasping assembly whereby the user may hold the plunger and barrel with one hand, press the plunger with the thumb, and advance the oximetry probe through the fluid seal assembly with the other hand.

WO 2008/030675 A3

INTERNATIONAL SEARCH REPORT

International application No.

PCT/US07/74801

A. CLASSIFICATION OF SUBJECT MATTER
 IPC: **A61B 5/1459**(2006.01)

USPC: 600/341

According to International Patent Classification (IPC) or to both national classification and IPC

B. FIELDS SEARCHED

Minimum documentation searched (classification system followed by classification symbols)
 U.S. : 600/341,310,322,323,325,327,339,342; 604/533,537

Documentation searched other than minimum documentation to the extent that such documents are included in the fields searched

Electronic data base consulted during the international search (name of data base and, where practicable, search terms used)

C. DOCUMENTS CONSIDERED TO BE RELEVANT

Category *	Citation of document, with indication, where appropriate, of the relevant passages	Relevant to claim No.
X --- Y	US 5,492,304 A (SMITH et al) 20 February 1996 (20.02.1996), column 7, line 37 - column 8, line 18.	15-25 ----- 1-14, 26-28
Y	US 5,261,892 A (BERTAUD et al) 16 November 1993 (16.11.1993), column 5, line 12 - column 6, line 25.	1-14, 26-28

Further documents are listed in the continuation of Box C. See patent family annex.

* Special categories of cited documents:	
"A" document defining the general state of the art which is not considered to be of particular relevance	"T" later document published after the international filing date or priority date and not in conflict with the application but cited to understand the principle or theory underlying the invention
"E" earlier application or patent published on or after the international filing date	"X" document of particular relevance; the claimed invention cannot be considered novel or cannot be considered to involve an inventive step when the document is taken alone
"L" document which may throw doubts on priority claim(s) or which is cited to establish the publication date of another citation or other special reason (as specified)	"Y" document of particular relevance; the claimed invention cannot be considered to involve an inventive step when the document is combined with one or more other such documents, such combination being obvious to a person skilled in the art
"O" document referring to an oral disclosure, use, exhibition or other means	"&" document member of the same patent family
"P" document published prior to the international filing date but later than the priority date claimed	

Date of the actual completion of the international search 01 September 2008 (01.09.2008)	Date of mailing of the international search report 26 SEP 2008
Name and mailing address of the ISA/US Mail Stop PCT, Attn: ISA/US Commissioner for Patents P.O. Box 1450 Alexandria, Virginia 22313-1450 Facsimile No. (571) 273-3201	Authorized officer <i>Eric F. Winakur</i> Eric F. Winakur Telephone No. 571/272-2975