



US00D784348S

(12) **United States Design Patent**  
**Zhang**

(10) **Patent No.:** **US D784,348 S**

(45) **Date of Patent:** **\*\* Apr. 18, 2017**

(54) **FLIP STAND LEATHER PROTECTIVE CASE**

2009/0107858	A1*	4/2009	Huang	.....	A45C 9/00
					206/214
2013/0020216	A1*	1/2013	Chiou	.....	G06F 1/1626
					206/320
2013/0048520	A1*	2/2013	Garrett	.....	A45F 5/00
					206/320
2013/0233762	A1*	9/2013	Balaji	.....	B65D 25/00
					206/736

(71) Applicant: **Zhiguang Zhang**, Guangzhou (CN)

(72) Inventor: **Zhiguang Zhang**, Guangzhou (CN)

(\*\*) Term: **15 Years**

(21) Appl. No.: **29/539,773**

\* cited by examiner

(22) Filed: **Sep. 17, 2015**

*Primary Examiner* — Cynthia Underwood

(51) **LOC (10) Cl.** ..... **14-02**

(74) *Attorney, Agent, or Firm* — Novoclaims Patent Services LLC; Mei Lin Wong

(52) **U.S. Cl.**

USPC ..... **D14/440**

(58) **Field of Classification Search**

(57) **CLAIM**

USPC ..... D14/250, 440, 447; 206/45.23, 320,  
206/45.2; 361/679.55; 294/25; 224/218  
CPC .... G06F 1/1628; G06F 1/1613; G06F 1/1626;  
A47B 23/044

The ornamental design of a flip stand leather protective case, substantially as shown and described.

See application file for complete search history.

**DESCRIPTION**

(56) **References Cited**

FIG. 1 is a perspective view of a flip stand leather protective case in accordance with the present invention.

**U.S. PATENT DOCUMENTS**

FIG. 2 is an enlarged front view thereof.

D356,120	S	*	3/1995	Allen	.....	D21/335
D364,191	S	*	11/1995	Allen	.....	D21/335
D467,429	S	*	12/2002	Bone	.....	D3/294
D658,187	S	*	4/2012	Diebel	.....	D14/440
D658,188	S	*	4/2012	Diebel	.....	D14/440
D658,877	S	*	5/2012	Janus	.....	D3/301
D663,304	S	*	7/2012	Akana	.....	D14/440
D672,781	S	*	12/2012	Lu	.....	D14/440
D678,260	S	*	3/2013	Bau	.....	D14/132
D679,279	S	*	4/2013	Yang	.....	D14/440
D679,715	S	*	4/2013	Akana	.....	D14/440
D681,641	S	*	5/2013	Van Den		
				Nieuwenhuizen	.....	D14/440
D687,438	S	*	8/2013	Lu	.....	D14/440
D691,142	S	*	10/2013	Diebel	.....	D14/440
D696,253	S	*	12/2013	Akana	.....	D14/345
D696,669	S	*	12/2013	Akana	.....	D14/440
D713,848	S	*	9/2014	Akana	.....	D14/440
D714,791	S	*	10/2014	Liu	.....	D14/440
D726,731	S	*	4/2015	Kim	.....	D14/440

FIG. 3 is an enlarged perspective view showing from another view angle thereof.

FIG. 4 is an enlarged right end view thereof.

FIG. 5 is an enlarged left view thereof.

FIG. 6 is an enlarged bottom view thereof.

FIG. 7 is an enlarged top view thereof.

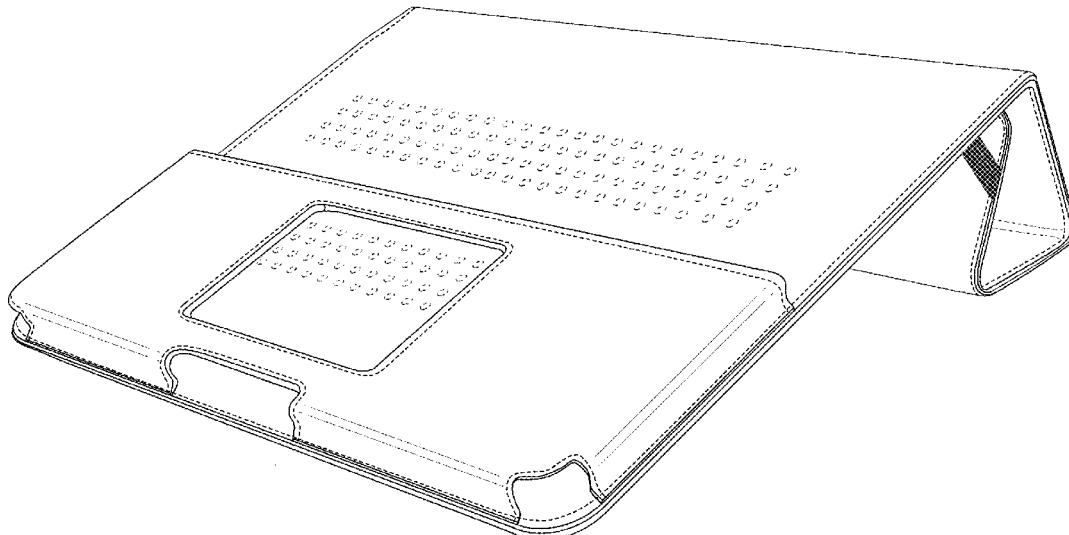
FIG. 8 is a perspective view thereof showing a folding position in use.

FIG. 9 is an enlarged rear view thereof; and,

FIG. 10 is a perspective view thereof showing another folding position in use.

The broken lines along edges of the front cover, the rear cover and the pocket of the flip stand leather protective case represent stitching and form part of the claim. The broken lines in the circles of FIGS. 8 and 9 represent unclaimed subject matter and form no part of the claim.

**1 Claim, 10 Drawing Sheets**



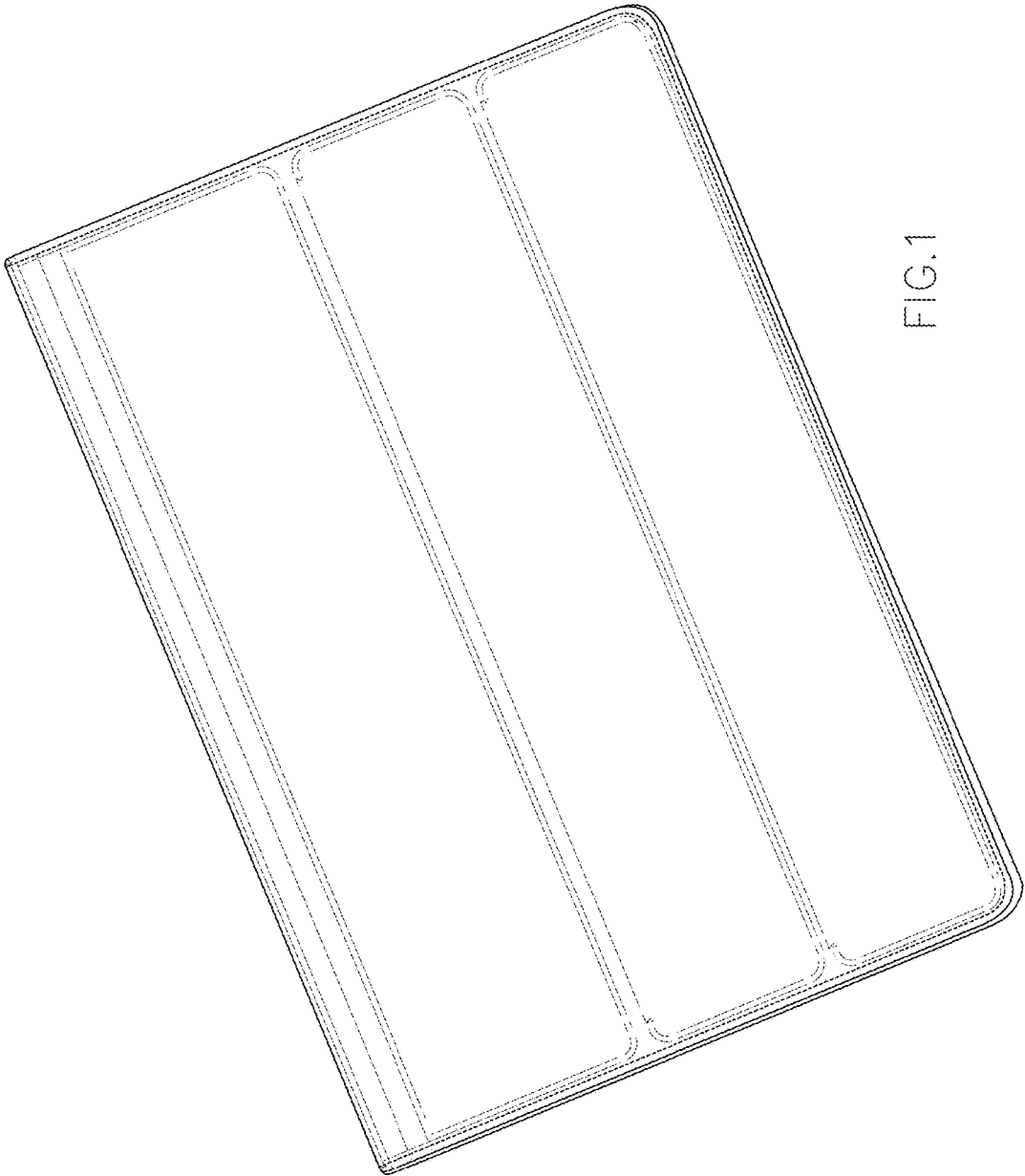


FIG. 1

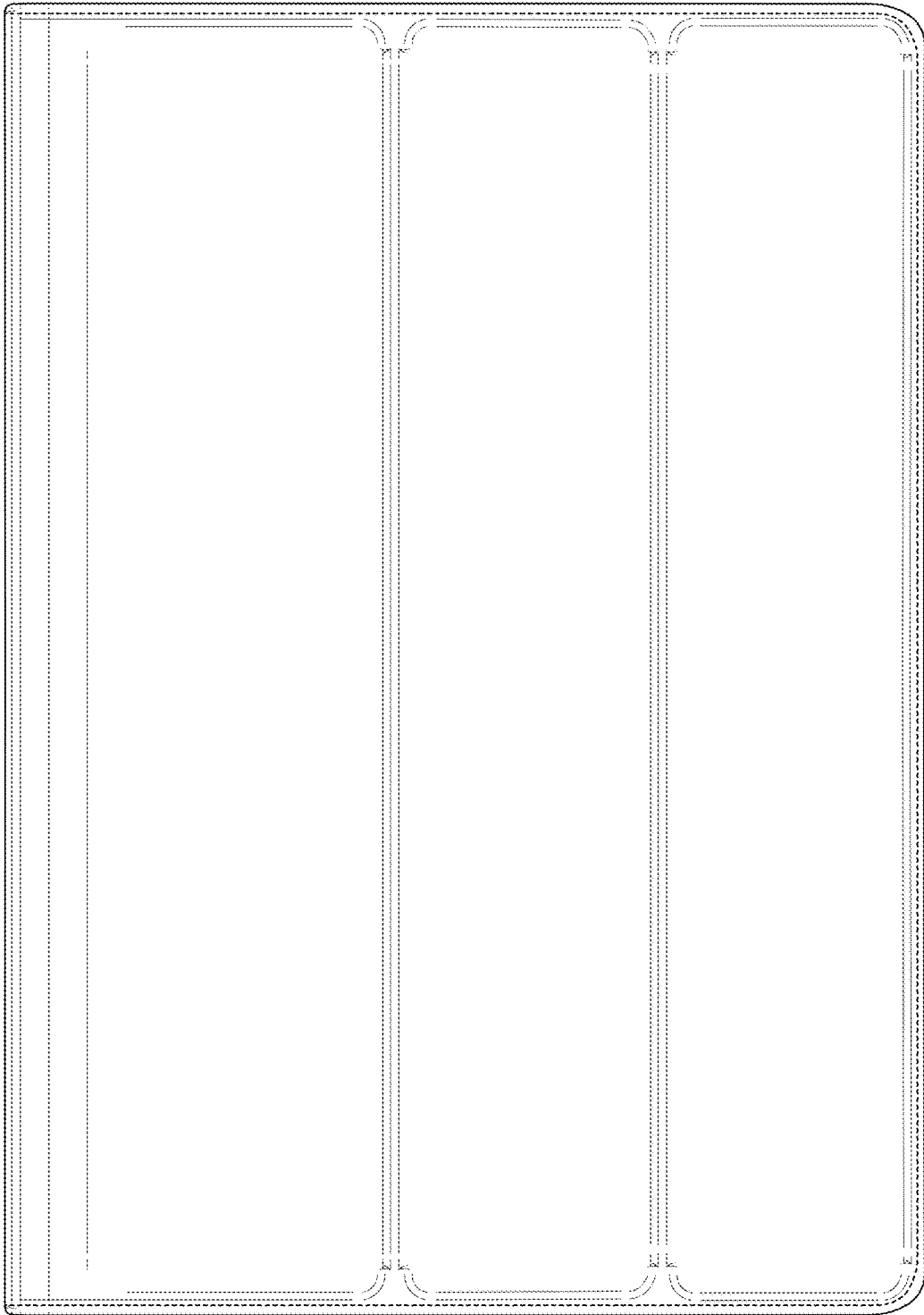


FIG. 2

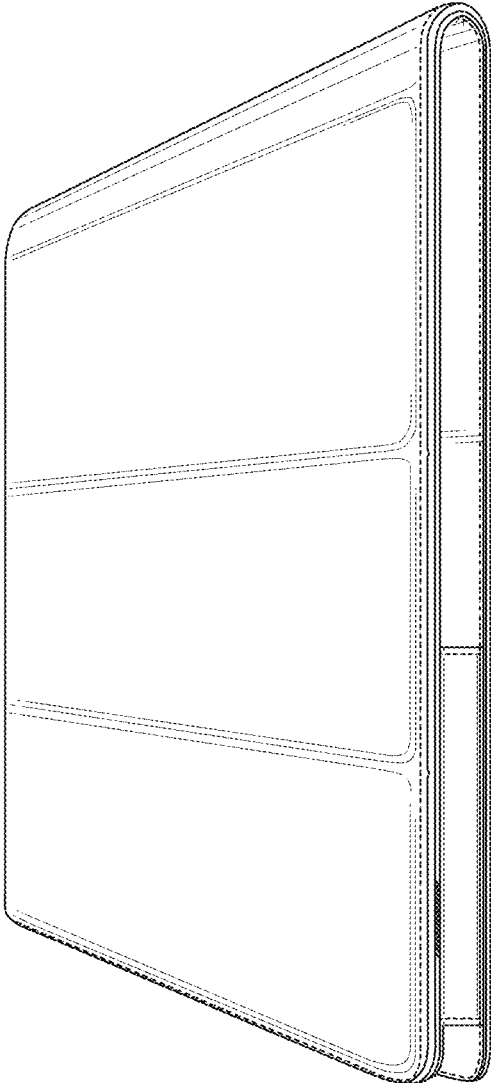


FIG. 3

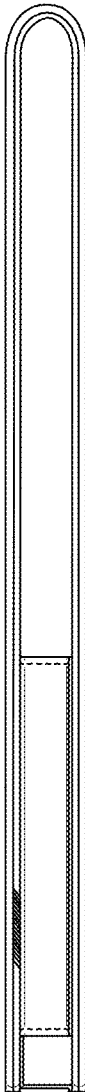


FIG. 4



FIG.5



FIG. 6



FIG. 7



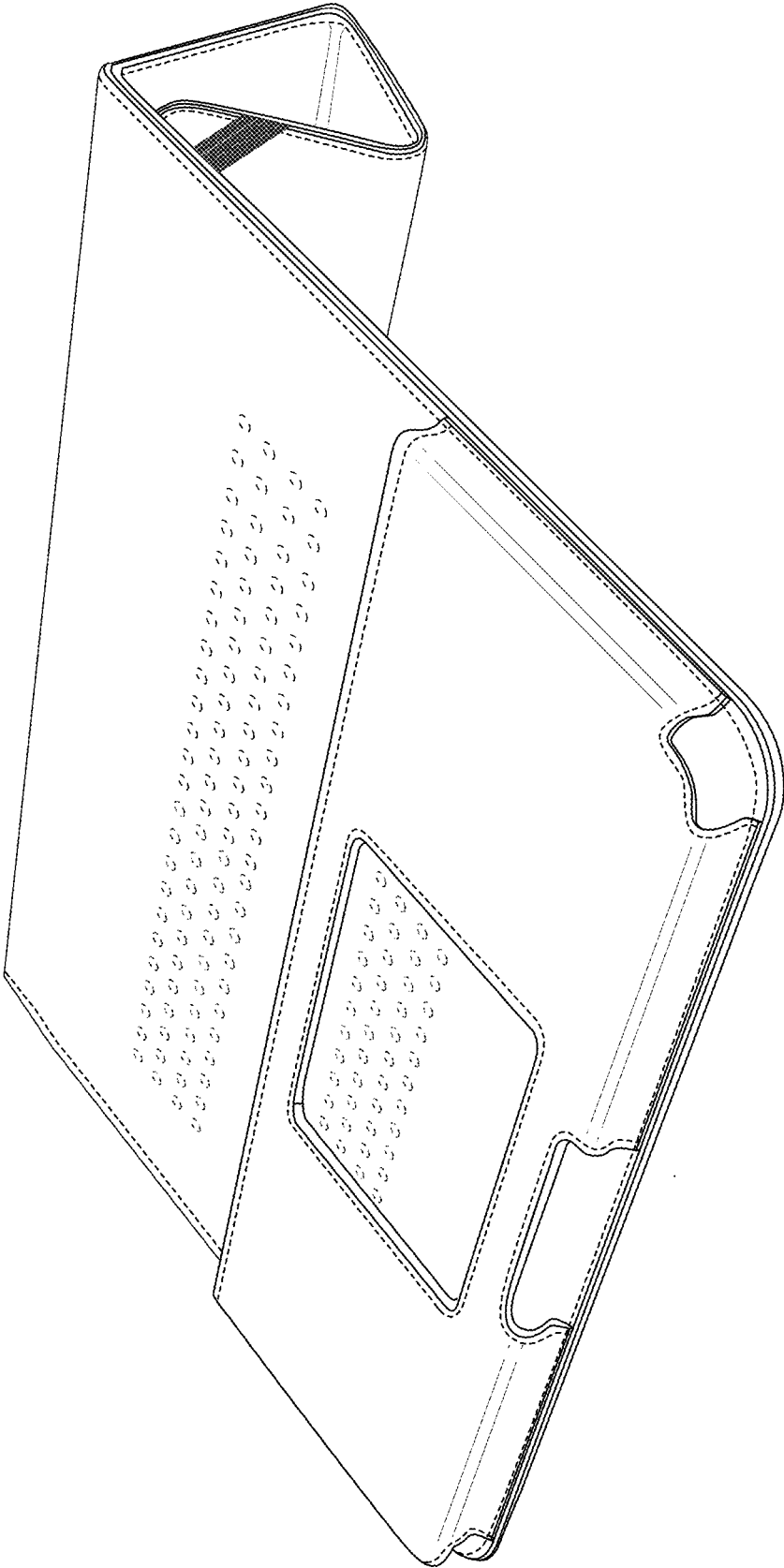


FIG. 8

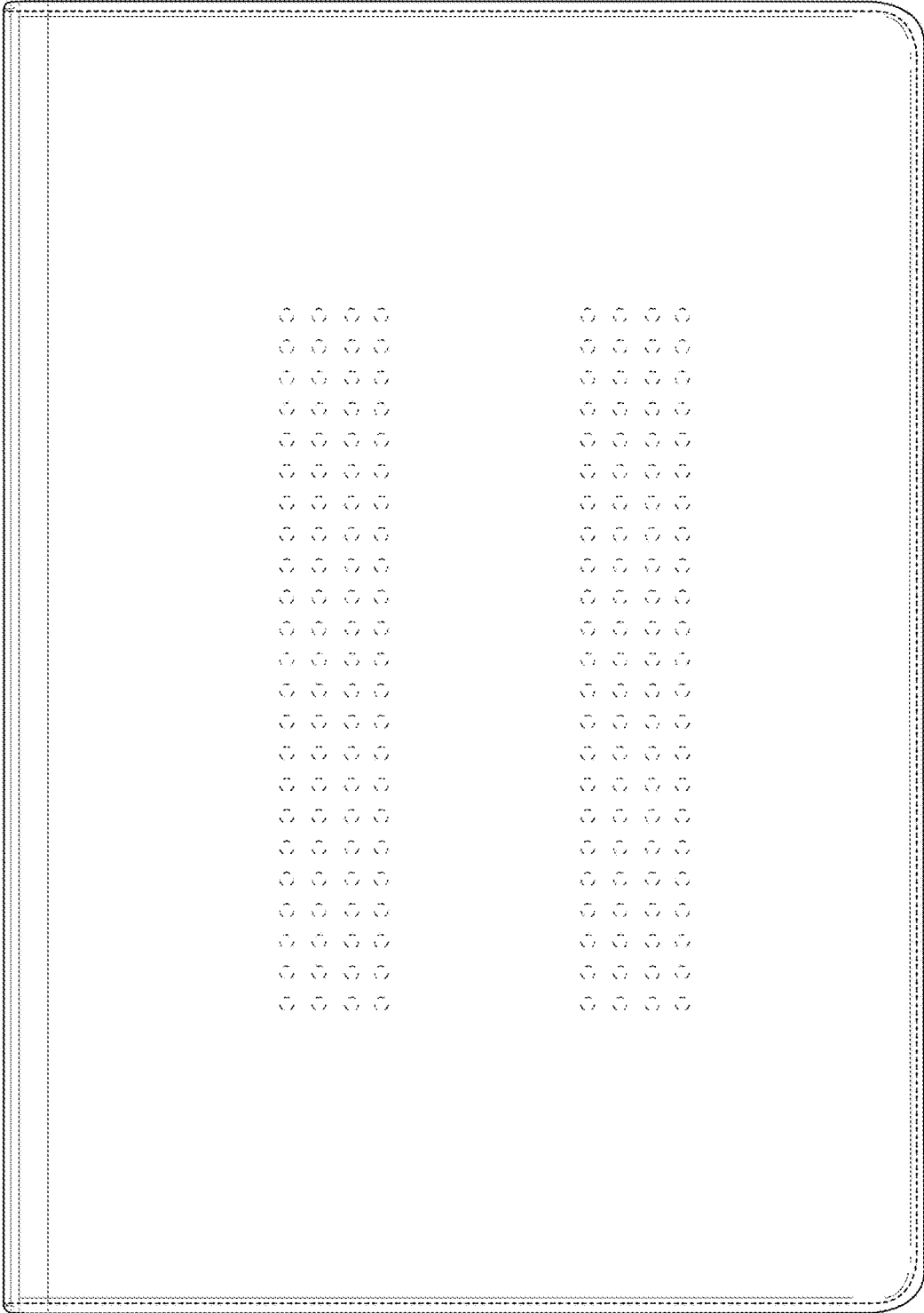


FIG. 9

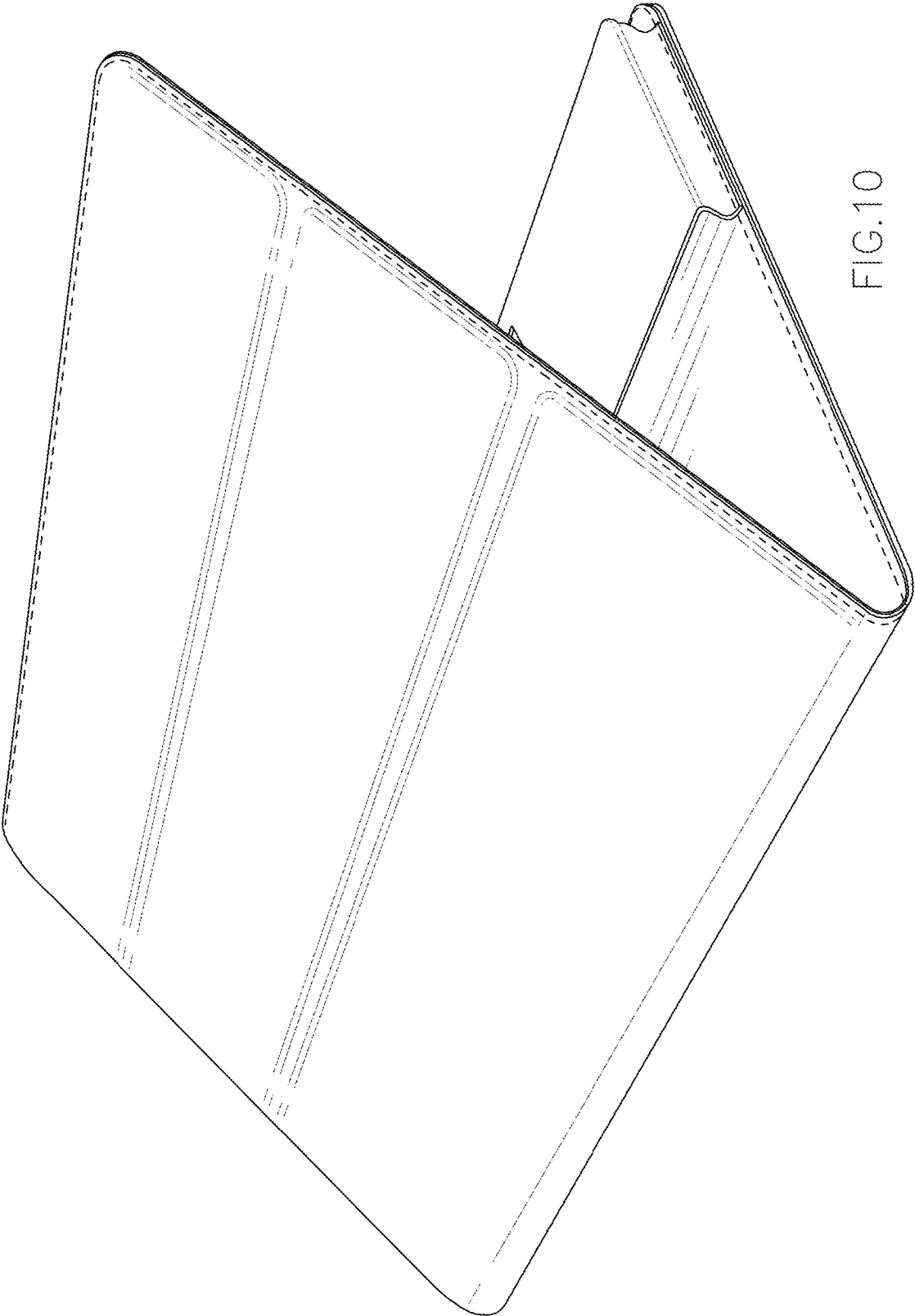


FIG.10