

(19) World Intellectual Property Organization
International Bureau



(43) International Publication Date
20 April 2006 (20.04.2006)

PCT

(10) International Publication Number
WO 2006/042188 A3

(51) International Patent Classification:
A61B 17/70 (2006.01) A61B 17/88 (2006.01)

(21) International Application Number:
PCT/US2005/036339

(22) International Filing Date: 10 October 2005 (10.10.2005)

(25) Filing Language: English

(26) Publication Language: English

(30) Priority Data:
60/617,461 8 October 2004 (08.10.2004) US
10/990,221 16 November 2004 (16.11.2004) US
10/990,272 16 November 2004 (16.11.2004) US
10/989,715 16 November 2004 (16.11.2004) US

(71) Applicant (for all designated States except US): INNOVATIVE SPINAL TECHNOLOGIES [US/US]; 2745 N. Dallas Parkway, Suite 460, Plano, TX 75093 (US).

(72) Inventors; and

(75) Inventors/Applicants (for US only): SPITLER, James [US/US]; 3987 Pompei Place, Frisco, TX 75034 (US). SCHORER, Scott [US/US]; 7105 Quiet Retreat Court, Longmont, CO 80503 (US). COLLERAN, Dennis [US/US]; 5417 Widgeon Way, Frisco, TX 75034 (US).

(74) Agent: TANNENBAUM, David, H.; Fulbright & Jaworski, L.L.P., 2200 Ross Avenue, Suite 2800, Dallas, TX 75201-2784 (US).

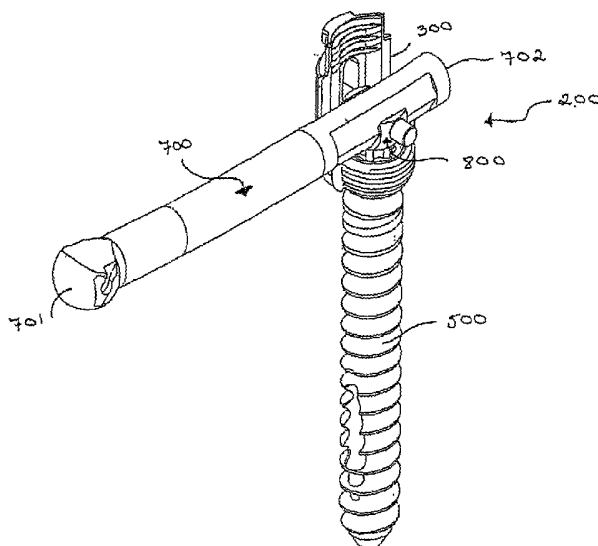
(81) Designated States (unless otherwise indicated, for every kind of national protection available): AE, AG, AL, AM, AT, AU, AZ, BA, BB, BG, BR, BW, BY, BZ, CA, CH, CN, CO, CR, CU, CZ, DE, DK, DM, DZ, EC, EE, EG, ES, FI, GB, GD, GE, GH, GM, HR, HU, ID, IL, IN, IS, JP, KE, KG, KM, KP, KR, KZ, LC, LK, LR, LS, LT, LU, LV, LY, MA, MD, MG, MK, MN, MW, MX, MZ, NA, NG, NI, NO, NZ, OM, PG, PH, PL, PT, RO, RU, SC, SD, SE, SG, SK, SL, SM, SY, TJ, TM, TN, TR, TT, TZ, UA, UG, US, UZ, VC, VN, YU, ZA, ZM, ZW.

(84) Designated States (unless otherwise indicated, for every kind of regional protection available): ARIPO (BW, GH, GM, KE, LS, MW, MZ, NA, SD, SL, SZ, TZ, UG, ZM, ZW), Eurasian (AM, AZ, BY, KG, KZ, MD, RU, TJ, TM), European (AT, BE, BG, CH, CY, CZ, DE, DK, EE, ES, FI, FR, GB, GR, HU, IE, IS, IT, LT, LU, LV, MC, NL, PL, PT, RO, SE, SI, SK, TR), OAPI (BF, BJ, CF, CG, CI, CM, GA, GN, GQ, GW, ML, MR, NE, SN, TD, TG).

Published:
— with international search report

[Continued on next page]

(54) Title: A SPINAL IMPLANT STABILIZATION SYSTEM



(57) Abstract: A stabilization assembly is described that stabilizes bony structures such as vertebrae. The stabilization assembly is partially formed by a poly-axial assembly which includes an anchor (500) connected to a poly axial connector assembly head (300), where the poly-axial assembly has various embodiments. The assembly may include a slide ring (800), mounted in the head and a connector (700) mounted in the slide ring. The head may have a groove for coupling with a snap ring (1600). An extension (3001) is provided with locking means for locking its tubular body to the head. The slide ring and extension permit the connector to be used to drive the anchor into bone. The snap ring provides provisional fixation of one end of the connector in the head.

WO 2006/042188 A3



— *before the expiration of the time limit for amending the claims and to be republished in the event of receipt of amendments*

For two-letter codes and other abbreviations, refer to the "Guidance Notes on Codes and Abbreviations" appearing at the beginning of each regular issue of the PCT Gazette.

(88) Date of publication of the international search report:

6 July 2006

INTERNATIONAL SEARCH REPORT

International application No
PCT/US2005/036339

A. CLASSIFICATION OF SUBJECT MATTER
INV. A61B17/70 A61B17/88

According to International Patent Classification (IPC) or to both national classification and IPC

B. FIELDS SEARCHED

Minimum documentation searched (classification system followed by classification symbols)
A61B

Documentation searched other than minimum documentation to the extent that such documents are included in the fields searched

Electronic data base consulted during the international search (name of data base and, where practical, search terms used)

EPO-Internal

C. DOCUMENTS CONSIDERED TO BE RELEVANT

Category*	Citation of document, with indication, where appropriate, of the relevant passages	Relevant to claim No.
X	US 5 910 142 A (TATAR S.) 8 June 1999 (1999-06-08) figures	1,3,9,11
A	US 6 090 113 A (LE COUEDIC R. & CONCHY F.) 18 July 2000 (2000-07-18) abstract; figure 1 column 4, line 1 - line 52	1
A	US 5 733 286 A (ERRICO J.P. ET AL) 31 March 1998 (1998-03-31) column 4, line 35 - line 38; figures 2,5	1-3,9,11
A	US 6 530 929 B1 (JUSTIS J.R. ET AL) 11 March 2003 (2003-03-11) cited in the application figures 1,4	1,3,9

Further documents are listed in the continuation of Box C.

See patent family annex.

* Special categories of cited documents :

"A" document defining the general state of the art which is not considered to be of particular relevance

"E" earlier document but published on or after the international filing date

"L" document which may throw doubts on priority claim(s) or which is cited to establish the publication date of another citation or other special reason (as specified)

"O" document referring to an oral disclosure, use, exhibition or other means

"P" document published prior to the international filing date but later than the priority date claimed

"T" later document published after the international filing date or priority date and not in conflict with the application but cited to understand the principle or theory underlying the invention

"X" document of particular relevance; the claimed invention cannot be considered novel or cannot be considered to involve an inventive step when the document is taken alone

"Y" document of particular relevance; the claimed invention cannot be considered to involve an inventive step when the document is combined with one or more other such documents, such combination being obvious to a person skilled in the art.

"&" document member of the same patent family

Date of the actual completion of the international search

12 January 2006

Date of mailing of the international search report

10.05.2006

Name and mailing address of the ISA/
European Patent Office, P.B. 5818 Patentlaan 2
NL - 2280 HV Rijswijk
Tel. (+31-70) 340-2040, Tx. 31 651 epo nl,
Fax: (+31-70) 340-3016

Authorized officer

Nice, P

INTERNATIONAL SEARCH REPORT

International application No.
PCT/US2005/036339

Box II Observations where certain claims were found unsearchable (Continuation of item 2 of first sheet)

This International Search Report has not been established in respect of certain claims under Article 17(2)(a) for the following reasons:

1. Claims Nos.:
because they relate to subject matter not required to be searched by this Authority, namely:

2. Claims Nos.:
because they relate to parts of the International Application that do not comply with the prescribed requirements to such an extent that no meaningful International Search can be carried out, specifically:

3. Claims Nos.:
because they are dependent claims and are not drafted in accordance with the second and third sentences of Rule 6.4(a).

Box III Observations where unity of invention is lacking (Continuation of item 3 of first sheet)

This International Searching Authority found multiple inventions in this international application, as follows:

see additional sheet

1. As all required additional search fees were timely paid by the applicant, this International Search Report covers all searchable claims.

2. As all searchable claims could be searched without effort justifying an additional fee, this Authority did not invite payment of any additional fee.

3. As only some of the required additional search fees were timely paid by the applicant, this International Search Report covers only those claims for which fees were paid, specifically claims Nos.:

4. No required additional search fees were timely paid by the applicant. Consequently, this International Search Report is restricted to the invention first mentioned in the claims; it is covered by claims Nos.:

see annex

Remark on Protest

- The additional search fees were accompanied by the applicant's protest.
- No protest accompanied the payment of additional search fees.

FURTHER INFORMATION CONTINUED FROM PCT/ISA/ 210

This International Searching Authority found multiple (groups of) inventions in this international application, as follows:

1. claims: 1-3, 9 dependent on 1, 11

Screw head with openings for tabs of rotatable attachment means

2. claim: 4

Screw head with rotatable attachment means having means to torsionally lock connector

3. claims: 5-7, 8-10 dependent on 5, 12-13

Screw head with groove for coupling with a snap ring

4. claim: 8 dependent on 1

Screw head with bone anchor receptacle having internal threads

5. claim: 10 dependent on 1

Screw head with locking means having thread thickness greater at crest than root

6. claim: 14

Screw head with mating means having partial rim with notch

7. claims: 15-22

Extension for use with bone anchor assembly

INTERNATIONAL SEARCH REPORT

International application No
PCT/US2005/036339

Patent document cited in search report		Publication date	Patent family member(s)	Publication date
US 5910142	A	08-06-1999	NONE	

US 6090113	A	18-07-2000	AT 243470 T	15-07-2003
			AU 727020 B2	30-11-2000
			AU 5668998 A	31-07-1998
			CA 2275952 A1	09-07-1998
			DE 69723108 D1	31-07-2003
			DE 69723108 T2	29-04-2004
			EP 0955930 A1	17-11-1999
			ES 2201340 T3	16-03-2004
			FR 2757761 A1	03-07-1998
			WO 9829046 A1	09-07-1998
			JP 2001507259 T	05-06-2001

US 5733286	A	31-03-1998	NONE	

US 6530929	B1	11-03-2003	AU 778956 B2	23-12-2004
			AU 8011900 A	30-04-2001
			BR 0014936 A	18-06-2002
			CA 2387733 A1	26-04-2001
			EP 1221901 A1	17-07-2002
			JP 2003511190 T	25-03-2003
			WO 0128436 A1	26-04-2001
			US 2002161368 A1	31-10-2002
			US 2003060826 A1	27-03-2003
