

- [54] BATTERY PACK
- [75] Inventor: William H. Schultz, Northbrook, Ill.
- [73] Assignee: Skil Corporation, Chicago, Ill.
- [**] Term: 14 Years
- [21] Appl. No.: 48,125
- [22] Filed: May 11, 1987
- [52] U.S. Cl. D13/11; D13/8
- [58] Field of Search D13/4, 8, 9-11;
D14/137; D8/61, 68; 429/27, 54, 97-100, 123,
133, 149, 151, 153, 159, 160, 163, 176; 307/150;
320/2

D. 300,502 4/1989 Schultz D8/68
3,186,878 3/1962 Filander 429/97

OTHER PUBLICATIONS

Black & Decker Cordless Drill ad, 7-16-76.

Primary Examiner—Susan J. Lucas

Assistant Examiner—Joel Sincavage

Attorney, Agent, or Firm—Jones, Day, Reavis & Pogue

[57] CLAIM

The ornamental design for a battery pack, as shown.

DESCRIPTION

FIG. 1 is a perspective view of a battery pack showing my design;

FIG. 2 is a left side elevational view thereof;

FIG. 3 is a front elevational view thereof;

FIG. 4 is a right side elevational view thereof;

FIG. 5 is a rear elevational view thereof;

FIG. 6 is a top plan view thereof; and

FIG. 7 is a bottom plan view thereof.

[56] References Cited

U.S. PATENT DOCUMENTS

- D. 237,973 12/1975 Stern D13/8
- D. 240,433 7/1976 Krapowicz D13/8 X
- D. 265,985 8/1982 House, II D13/4

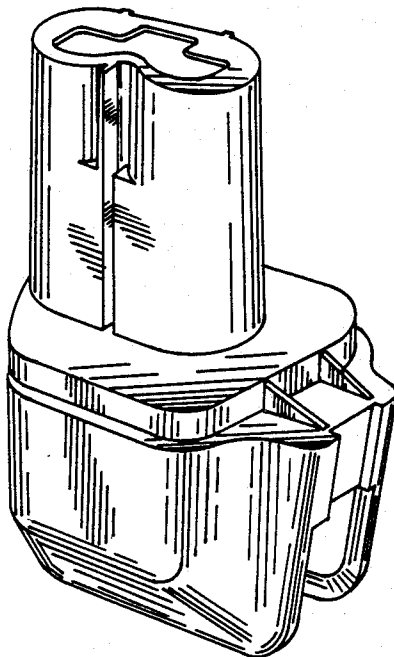


FIG. 1

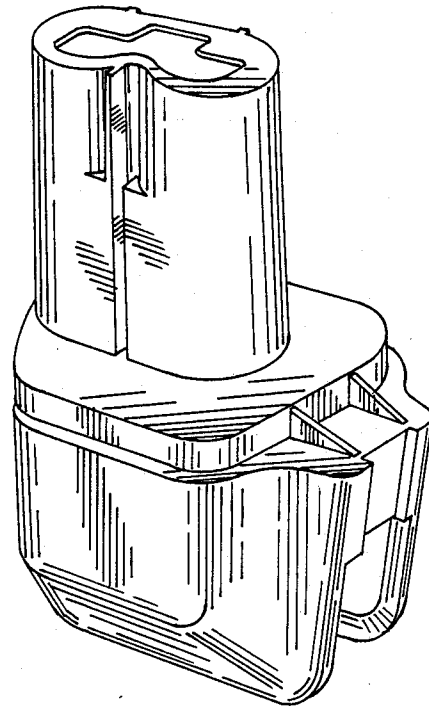


FIG. 2

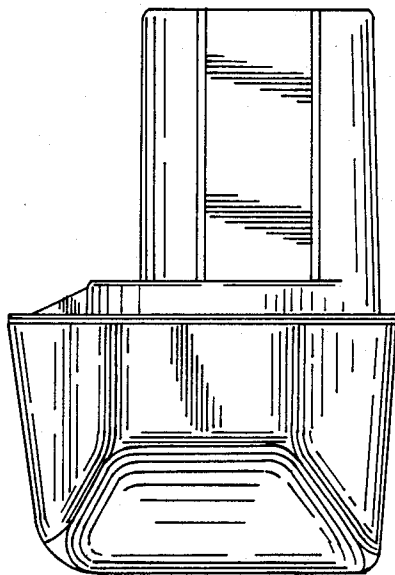


FIG. 3

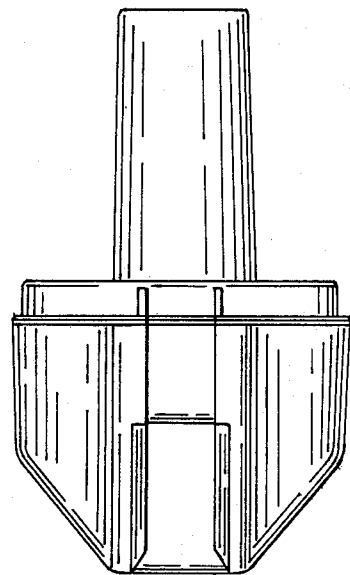


FIG. 4.

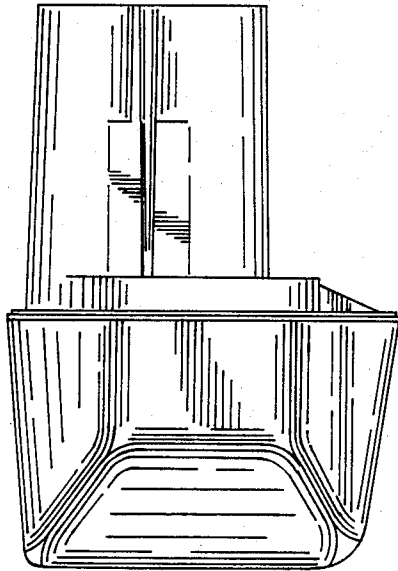


FIG. 5.

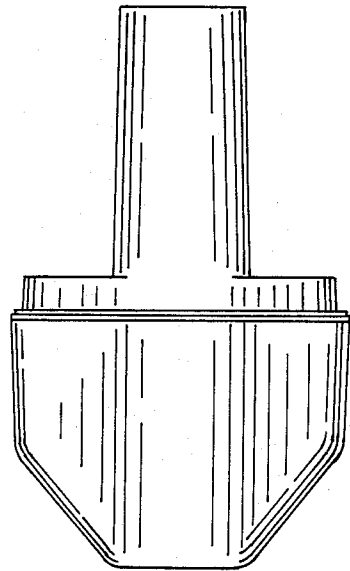


FIG. 6.

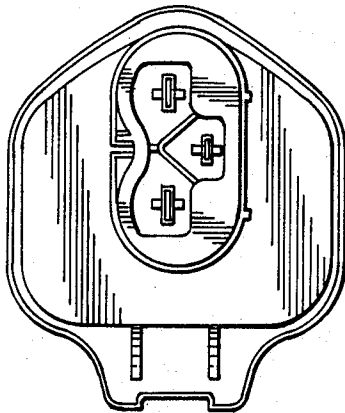


FIG. 7.

