



US00D789079S

(12) **United States Design Patent**
Michele

(10) **Patent No.:** **US D789,079 S**
(45) **Date of Patent:** **** Jun. 13, 2017**

- (54) **HANDBAG**
- (71) Applicant: **Guccio Gucci S.p.A.**, Florence (IT)
- (72) Inventor: **Alessandro Michele**, Rome (IT)
- (73) Assignee: **Guccio Gucci S.p.A.**, Florence (IT)
- (**) Term: **15 Years**
- (21) Appl. No.: **29/537,338**

D686,820	S	*	7/2013	Song	D3/243
D688,451	S	*	8/2013	Philo	D3/243
D698,144	S	*	1/2014	Von Furstenberg	D3/243
D698,547	S	*	2/2014	Deneve	D3/243
D703,947	S	*	5/2014	Holloway	D3/243
D715,540	S	*	10/2014	Ghisellini	D3/232
D727,618	S	*	4/2015	McNamara	D3/243
D728,925	S	*	5/2015	Von Furstenberg	D3/243
D728,929	S	*	5/2015	Dumas	D3/243
2009/0114691	A1	*	5/2009	Bizzell	A47D 13/02
						224/577
2010/0078099	A1	*	4/2010	Armstrong	A45C 3/08
						150/105

- (22) Filed: **Aug. 25, 2015**
- (51) **LOC (10) Cl.** **03-01**
- (52) **U.S. Cl.**
- USPC **D3/232; D3/243**
- (58) **Field of Classification Search**
- USPC D3/215-217, 226, 227, 232-234,
D3/238-246, 254, 257, 270, 271.1, 271.9,
D3/272, 274-276, 291, 294, 299, 303,
D3/324, 326, 900, 902, 903
- CPC A45C 1/00; A45C 3/06; A45C 2007/004;
A45C 3/08; A45C 7/00; A45C 9/10
- See application file for complete search history.

* cited by examiner

Primary Examiner — Susan E Krakower
Assistant Examiner — Lisa A Grabenstetter
 (74) *Attorney, Agent, or Firm* — Kelley Drye & Warren LLP

(57) **CLAIM**

The ornamental design for a handbag, as shown and described.

DESCRIPTION

FIG. 1 is a perspective view of a handbag showing my new design;
 FIG. 2 is a front elevational view thereof;
 FIG. 3 is a rear elevational view thereof;
 FIG. 4 is a right side elevational view thereof;
 FIG. 5 is a left side elevational view thereof;
 FIG. 6 is a top plan view thereof; and,
 FIG. 7 is a bottom plan view thereof.
 The broken lines on the surface of the claim represent unclaimed stitching.
 The handbag chain is shown with a symbolic break in its length. The appearance of any portion of the article between the break lines forms no part of the claimed design.

1 Claim, 7 Drawing Sheets

(56) **References Cited**
U.S. PATENT DOCUMENTS

2,798,524	A	*	7/1957	Ryon	A45C 3/08
						150/103
D235,692	S	*	7/1975	Rushing	D3/243
D250,794	S	*	1/1979	Siegel	D3/243
D268,304	S	*	3/1983	Schimmel	D10/31
4,649,974	A	*	3/1987	Takanashi	A45C 3/08
						150/100
D324,771	S	*	3/1992	Dixsaut	D3/243
D372,795	S	*	8/1996	Swinford	D3/233
D373,019	S	*	8/1996	Ford	D3/232
D384,812	S	*	10/1997	Heffelfinger	D3/243
D537,626	S	*	3/2007	Ghesquiere	D3/243
D655,583	S	*	3/2012	Palazzolo	D3/243



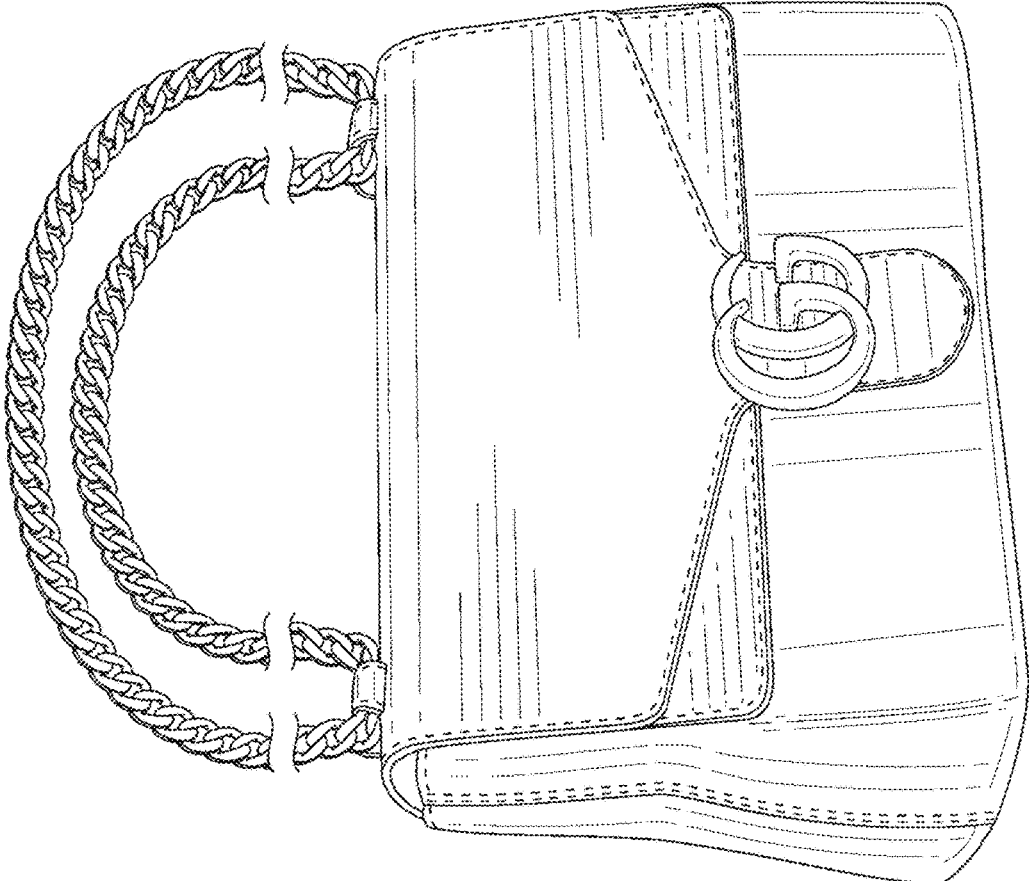


FIG. 1

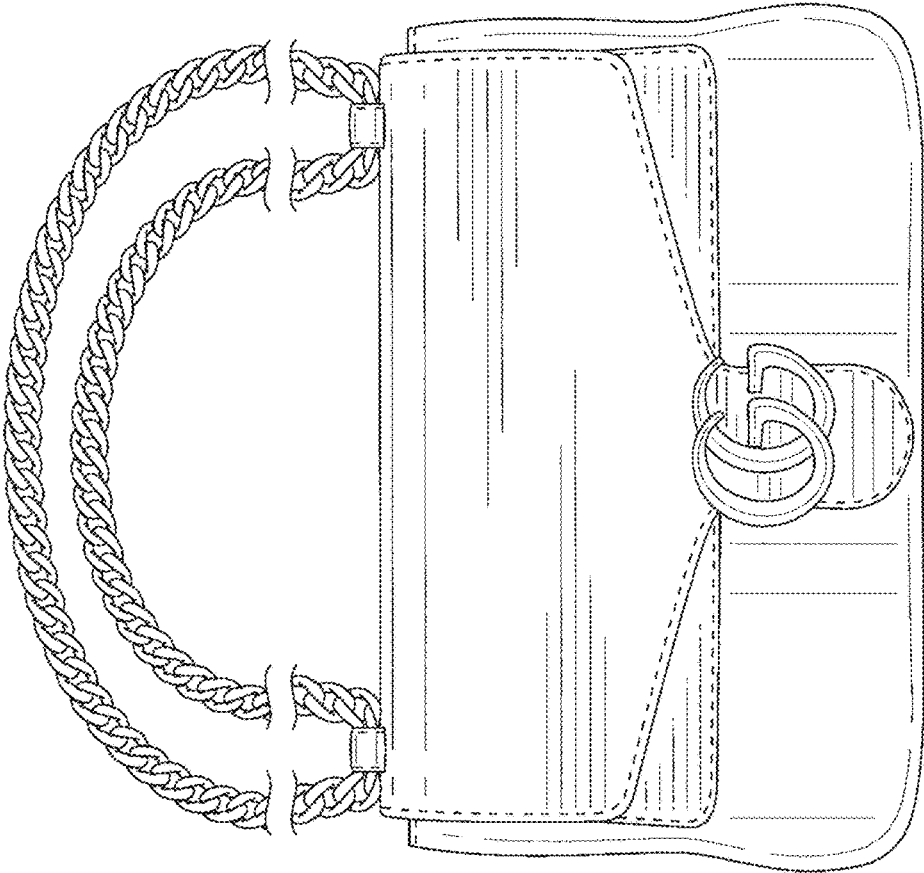


FIG. 2

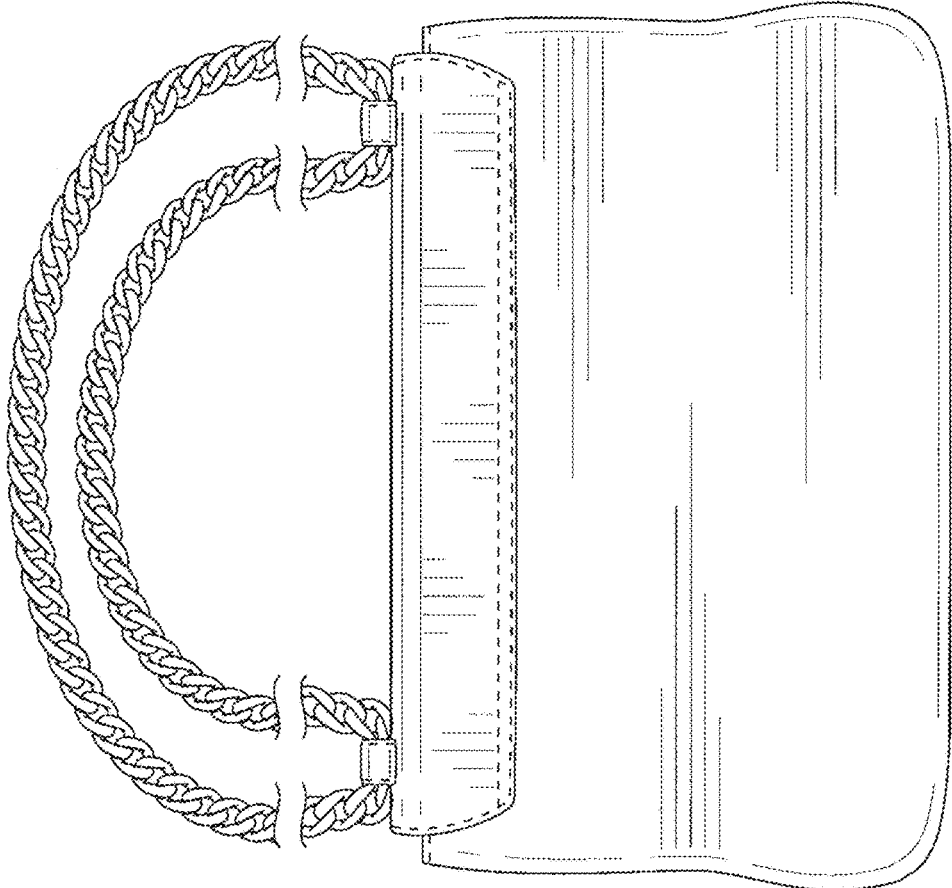


FIG. 3

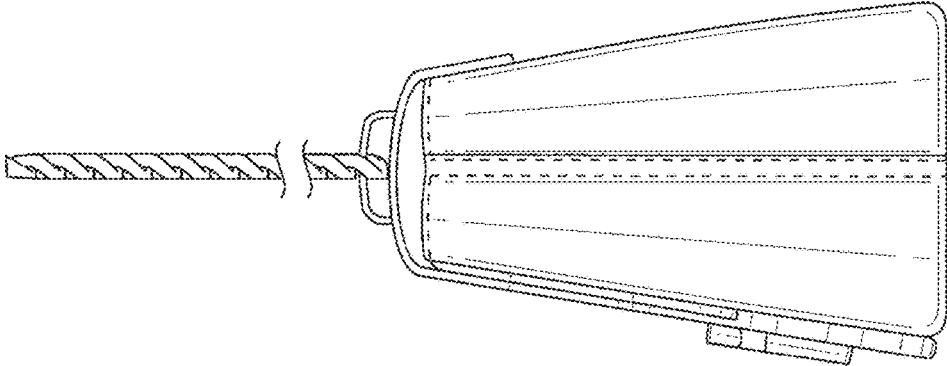


FIG. 4

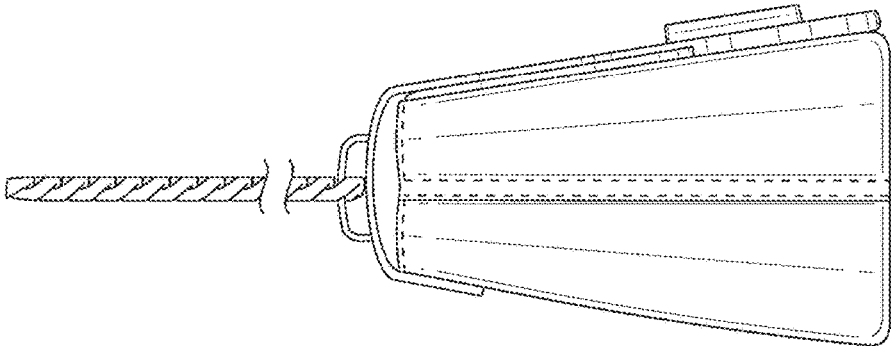


FIG. 5

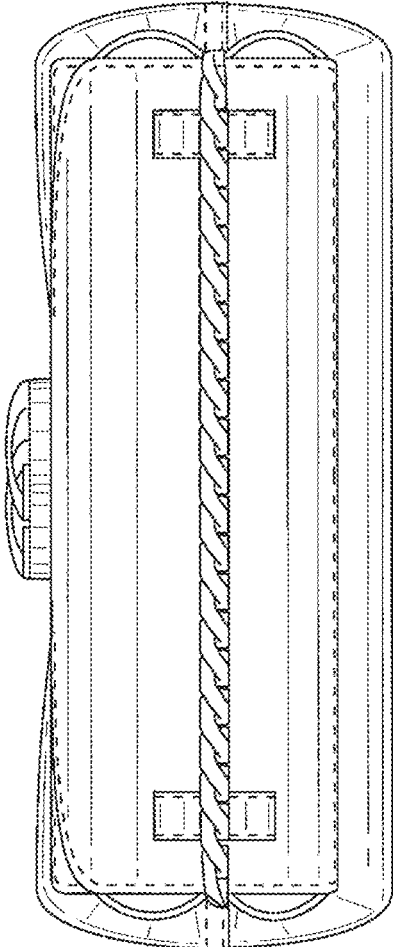


FIG. 6

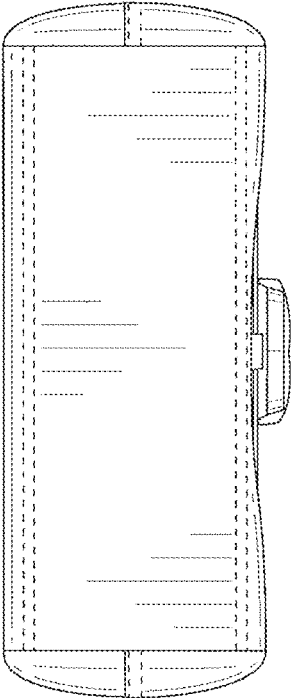


FIG. 7