



US00D724845S

(12) **United States Design Patent**  
Yoshida et al.

(10) **Patent No.:** US D724,845 S

(45) **Date of Patent:** \*\* Mar. 24, 2015

(54) **BRUSH HEAD FOR ELECTRIC TOOTHBRUSH**

(75) Inventors: **Hideaki Yoshida**, Muko (JP); **Takashi Torihama**, Kyoto (JP)

(73) Assignees: **Colgate-Palmolive Company**, New York, NY (US); **Omron Healthcare Co., Ltd.**, Kyoto (JP)

(\*\*) Term: **14 Years**

(21) Appl. No.: **29/425,944**

(22) Filed: **Jun. 28, 2012**

(30) **Foreign Application Priority Data**

Dec. 28, 2011 (CN) ..... 2011 3 0510928

(51) **LOC (10) Cl.** ..... **04-02**

(52) **U.S. Cl.**  
USPC ..... **D4/101**

(58) **Field of Classification Search**

CPC ..... A46B 5/0095; A46B 7/04; A46B 7/042; A46B 7/044; A46B 9/04; A46B 2200/1066; A61C 17/16; A61C 17/22; A61C 17/222; A61C 17/32; A61C 17/34; A61C 17/3409; A61C 17/3445; A61C 17/3454; A61C 17/3463; A61C 17/3481  
USPC ..... D4/101, 104-112, 114; 15/110, 167.1, 15/167.2, 176.1, 176.6, 188; 132/308-311; 601/139, 141, 142  
See application file for complete search history.

(56) **References Cited**

**U.S. PATENT DOCUMENTS**

3,156,936 A \* 11/1964 Hartman ..... 15/22.1  
D502,320 S 3/2005 Fattori et al.

(Continued)

**FOREIGN PATENT DOCUMENTS**

EM 000166285-0001 7/2004  
EM 000366968-0001 8/2005

(Continued)

**OTHER PUBLICATIONS**

CN 300711041 Registered Design, (Huang, Bazi) Nov. 28, 2007, [online], [retrieved on Jun. 15, 2014] Retrieved from the Questel Intellectual Property Portal Design Database using the Internet: <URL: http://www.orbit.com>.\*

(Continued)

*Primary Examiner* — Melanie H Tung

*Assistant Examiner* — Lavone D Tabor

(74) *Attorney, Agent, or Firm* — Ryan M. Flandro

(57) **CLAIM**

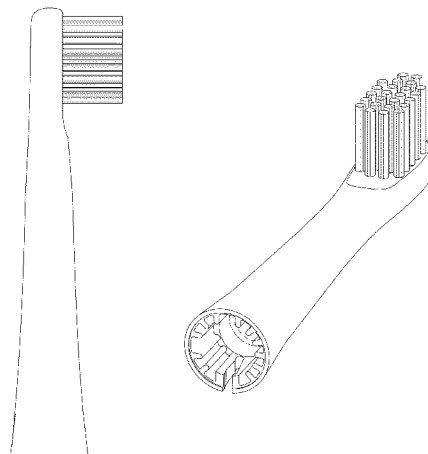
The ornamental design for a brush head for electric toothbrush, as shown and described.

**DESCRIPTION**

FIG. 1 is a front elevation view of a brush head for electric toothbrush according to the new design; FIG. 2 is a rear elevation view thereof; FIG. 3 is a left side elevation view thereof; FIG. 4 is a right side elevation view thereof; FIG. 5 is an enlarged top view thereof; FIG. 6 is an enlarged bottom view thereof; FIG. 7 is a front perspective view thereof; FIG. 8 is a rear perspective view thereof; FIG. 9 is a partial rear view thereof designated by area B in FIG. 2 and shown on a scale greater than that shown in FIGS. 1-4 but less than that shown in FIGS. 5-6; FIG. 10 is an enlarged bottom view of the design as shown in FIG. 9, shown on a scale greater than that shown in FIGS. 5-6; FIG. 11 is a front perspective view of the design as shown in FIG. 10; and, FIG. 12 is a rear perspective view of the design as shown in FIG. 10.

The broken lines outlining an area of the brush head in FIG. 2 and the break line shown in FIGS. 9, 11, and 12 form no part of the claimed design. The dash-dot-dash line shown within the brush head in FIGS. 6-8 and FIGS. 10-12 represents the bounds of the claim and forms no part thereof and the dashed lines shown in FIGS. 6-8 and FIGS. 10-12 illustrate portions of the brush head that form no part of the claimed design.

**1 Claim, 7 Drawing Sheets**



(56)

**References Cited**

U.S. PATENT DOCUMENTS

D577,199 S 9/2008 Zhuan  
D632,894 S 2/2011 Shigeno et al.

FOREIGN PATENT DOCUMENTS

EM 000149562-0008 12/2005  
EM 001078414-0007 5/2009  
EM 001148209-0005 9/2010  
EM 001816745-0001 2/2011  
JP 1223242 11/2004  
KR 30-0439339 2/2007  
RU 75347 7/2010

RU 76231 10/2010  
RU 76847 12/2010  
RU 79519 9/2011  
WO DM/065429 11/2004  
WO DM/072551 11/2010  
WO DM/076472 11/2011

OTHER PUBLICATIONS

CN 300776830 Registered Design, (Omron Healthcare Co, Ltd.)  
May 7, 2008, [online], [retrieved on Apr. 28, 2012] Retrieved from  
the Questel Intellectual Property Portal Design Database using the  
Internet: <URL: <http://www.orbit.com>>.\*

\* cited by examiner

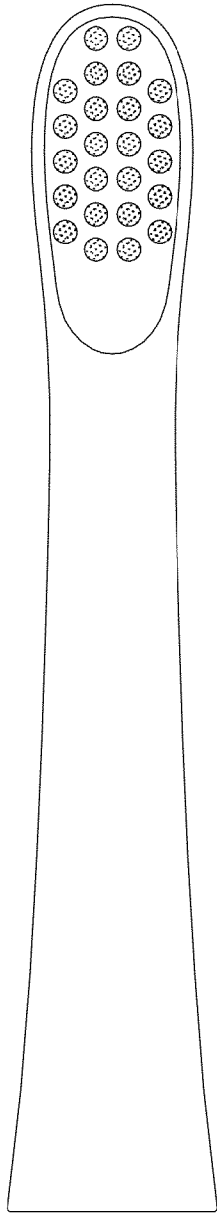


FIG. 1

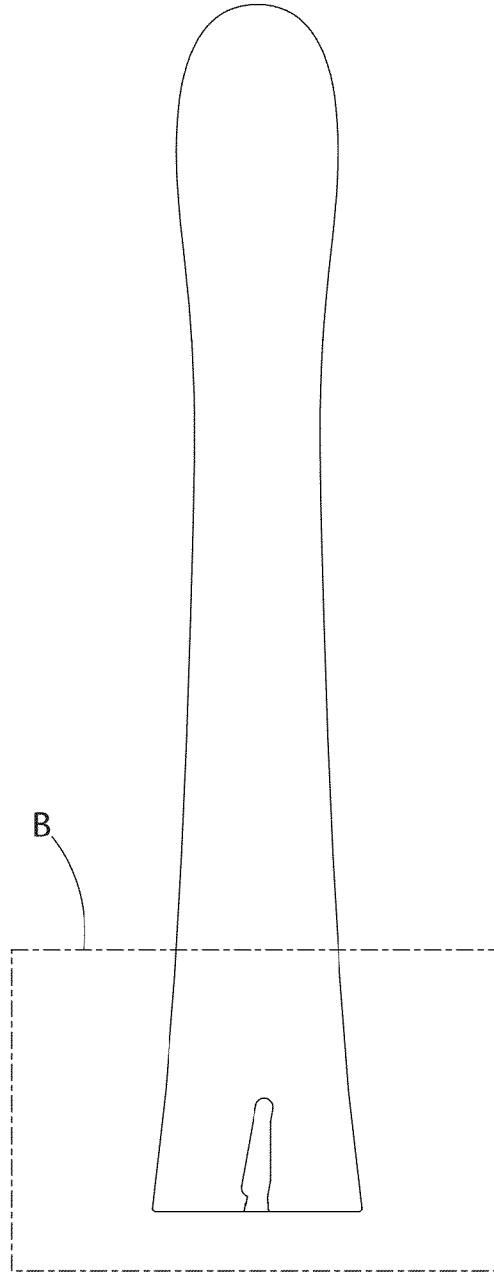


FIG. 2

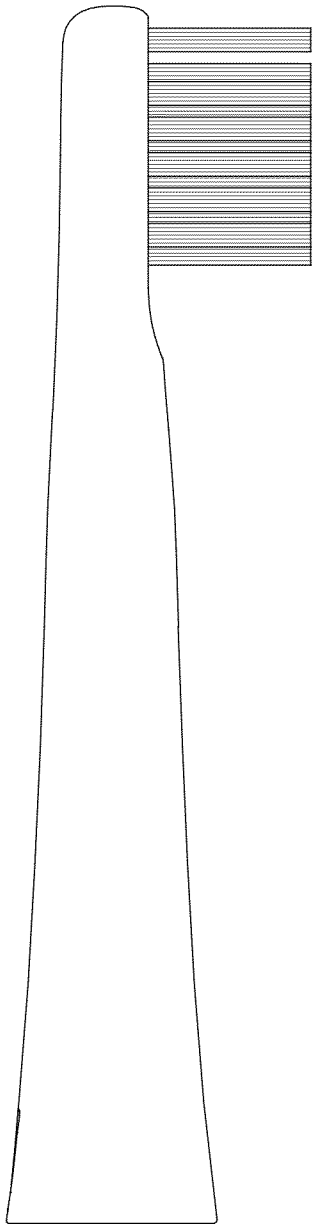


FIG. 3

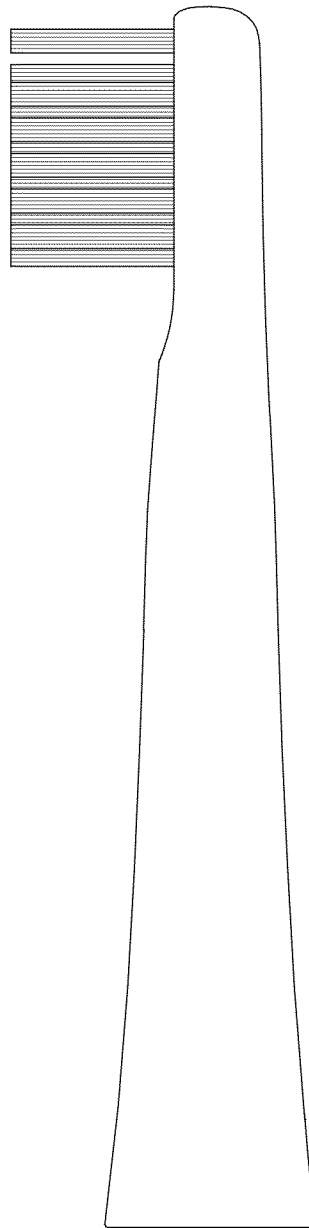


FIG. 4

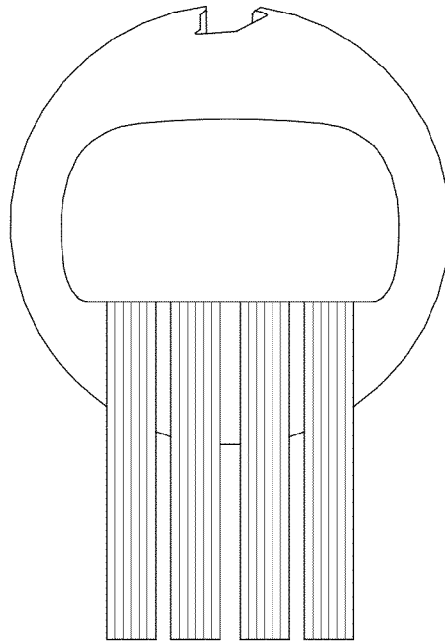


FIG. 5

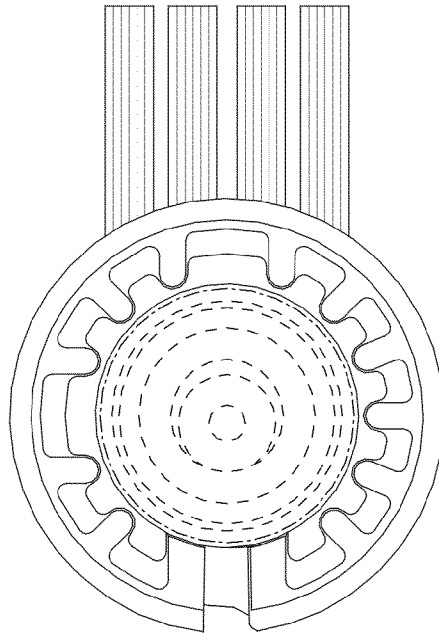


FIG. 6

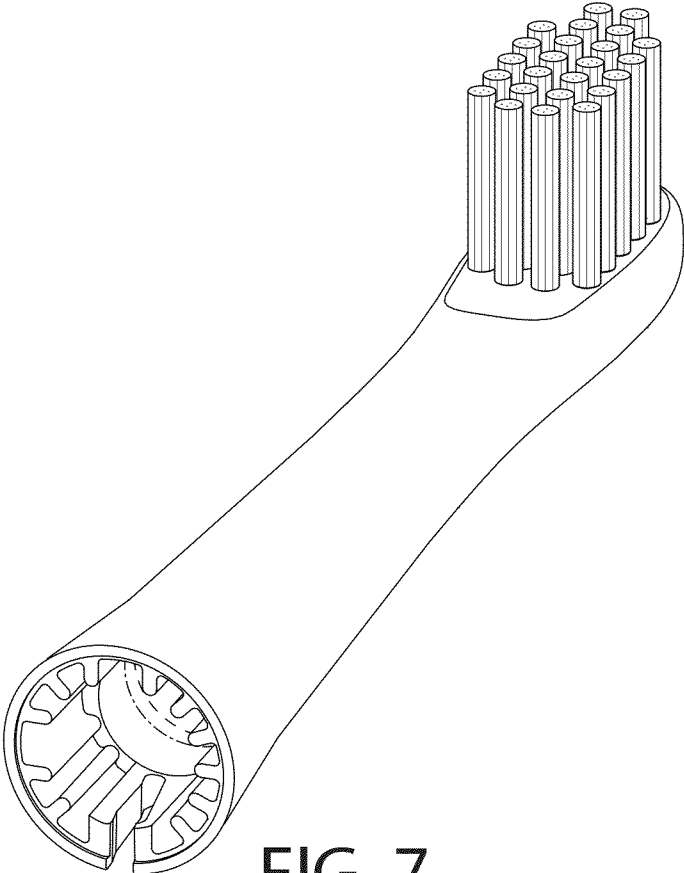


FIG. 7

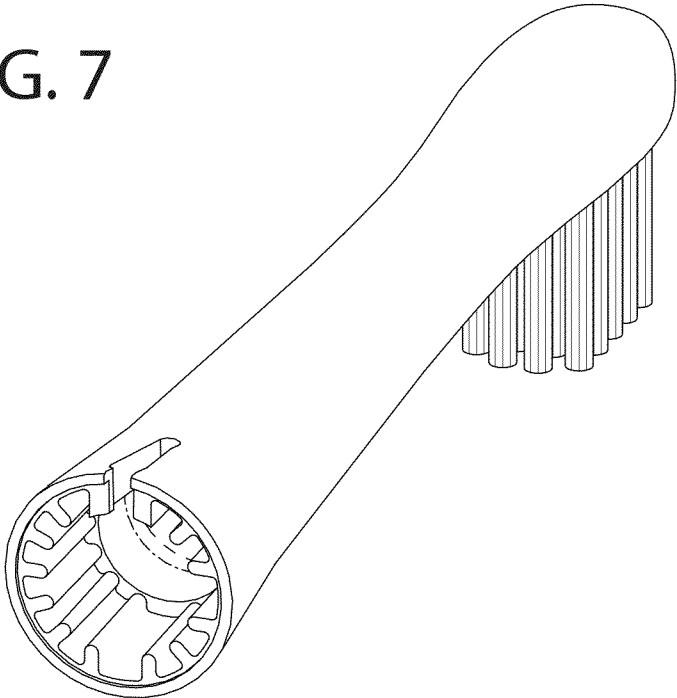


FIG. 8

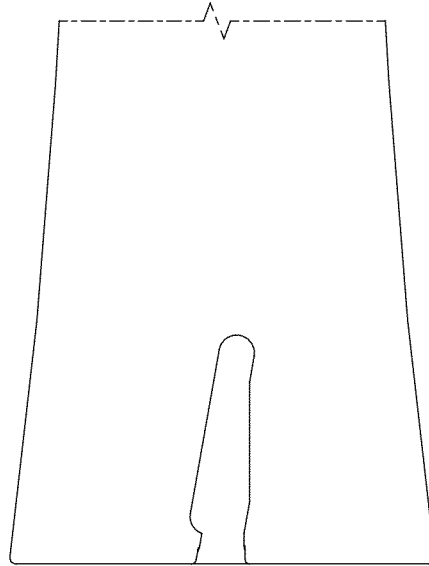


FIG. 9

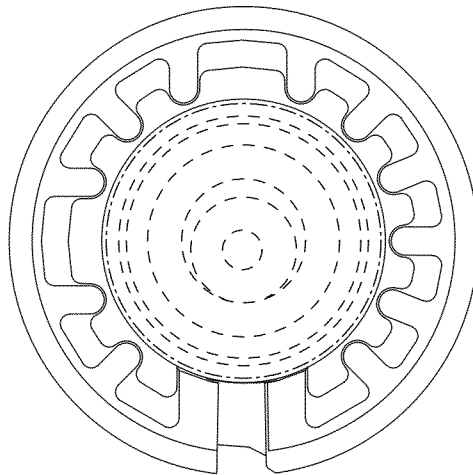


FIG. 10

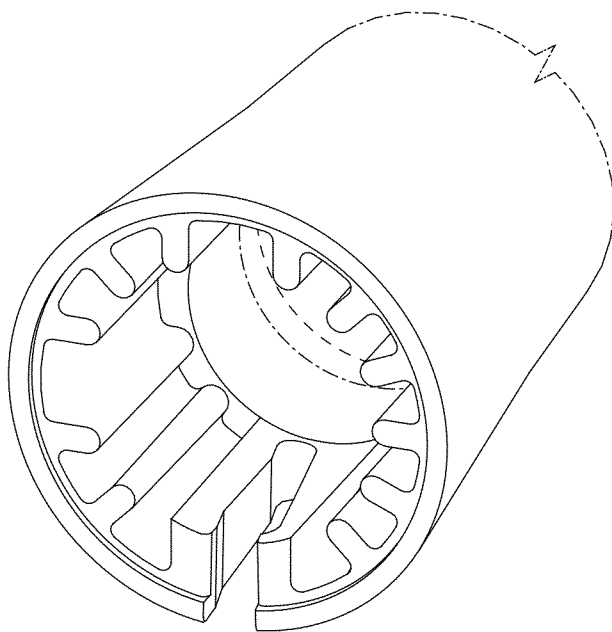


FIG. 11



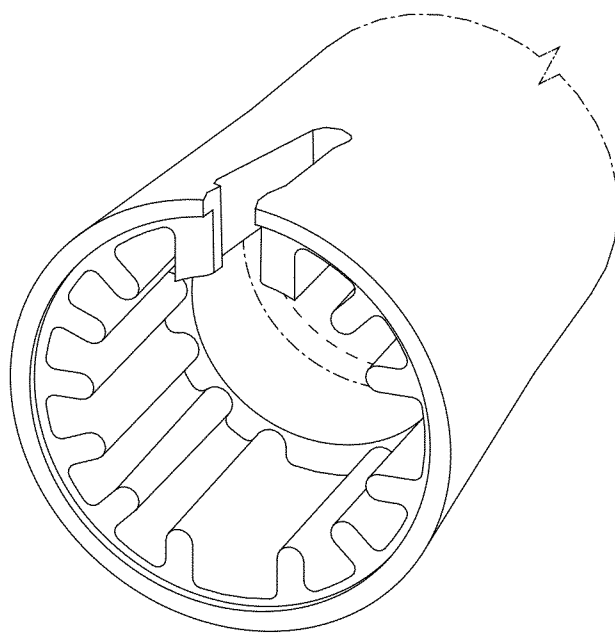


FIG. 12