



US00D868321S

(12) **United States Design Patent** (10) **Patent No.:** **US D868,321 S**  
**Kong et al.** (45) **Date of Patent:** **\*\* Nov. 26, 2019**

(54) **REAR COMBINATION LAMP FOR AN AUTOMOBILE**

(71) Applicants: **HYUNDAI MOTOR COMPANY**, Seoul (KR); **KIA MOTORS CORPORATION**, Seoul (KR)

(72) Inventors: **Byung Ho Kong**, Seoul (KR); **Je Won Seo**, Seoul (KR)

(73) Assignees: **Hyundai Motor Company**, Seoul (KR); **Kia Motors Corporation**, Seoul (KR)

(\*\*) Term: **15 Years**

(21) Appl. No.: **35/506,136**

(22) Filed: **May 24, 2018**

(80) **Hague Agreement Data**

Int. Filing Date: **May 24, 2018**

Int. Reg. No.: **DM/101405**

Int. Reg. Date: **May 24, 2018**

Int. Reg. Pub. Date: **Nov. 30, 2018**

(30) **Foreign Application Priority Data**

Dec. 15, 2017 (KR) ..... 30-2017-0059462

(51) **LOC (12) Cl.** ..... **26-06**

(52) **U.S. Cl.**  
USPC ..... **D26/28**

(58) **Field of Classification Search**  
USPC ..... D12/196; D26/28, 35, 36; D21/433  
CPC .. F21S 41/00; F21S 41/20; F21S 41/30; F21S 43/14; F21S 43/15; F21S 43/20

See application file for complete search history.

(56) **References Cited**

U.S. PATENT DOCUMENTS

D656,637	S	*	3/2012	Choo	.....	D26/28
D792,989	S	*	7/2017	Han	.....	D26/28
D794,843	S	*	8/2017	Han	.....	D26/28
D824,056	S	*	7/2018	Yoon	.....	D26/28
D827,928	S	*	9/2018	Kang	.....	D28/35
D842,507	S	*	3/2019	Kim	.....	D26/28
D842,508	S	*	3/2019	Kim	.....	D26/28
D844,190	S	*	3/2019	Nordmann	.....	D26/28
D846,163	S	*	4/2019	Thomas	.....	D26/28

OTHER PUBLICATIONS

Screenshot from Stefan Ogbac: 2019 Kia Sorrento Gets an Updated Powertrain Lineup. Dated Nov. 30, 2017. Found online Aug. 13, 2019 at <https://www.automobilemag.com/news/2019-kia-sorento-first-look-fresher-safer/> (Year: 2017).\*

\* cited by examiner

*Primary Examiner* — Robert M. Spear  
(74) *Attorney, Agent, or Firm* — Mintz Levin Cohn Ferris Glovsky and Popeo, P.C.; Kongsik Kim

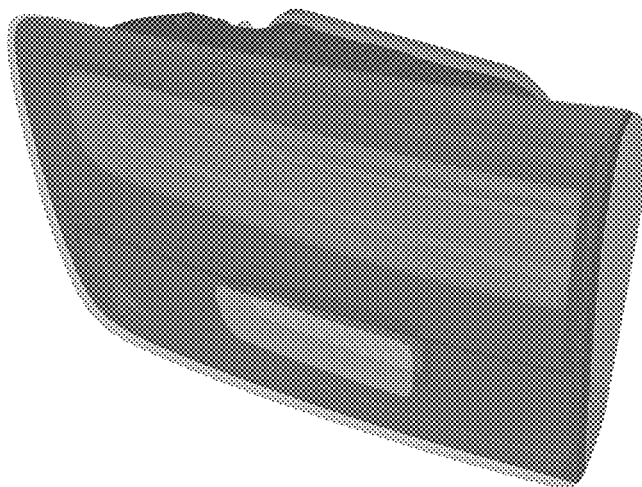
(57) **CLAIM**

The ornamental design for rear combination lamp for an automobile, as shown and described.

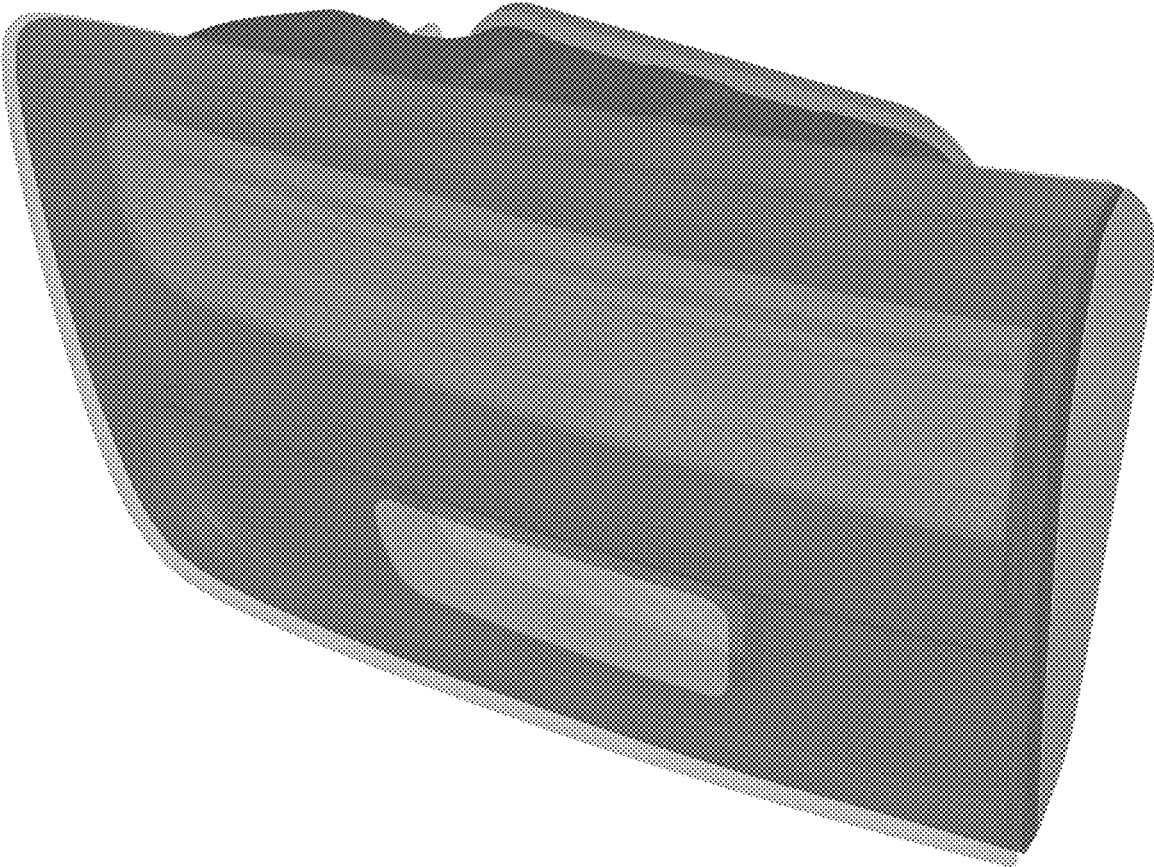
**DESCRIPTION**

- 1. Rear combination lamp for an automobile
- 1.1 : Perspective
- 1.2 : Front
- 1.3 : Back
- 1.4 : Left
- 1.5 : Right
- 1.6 : Top
- 1.7 : Bottom

**1 Claim, 7 Drawing Sheets**



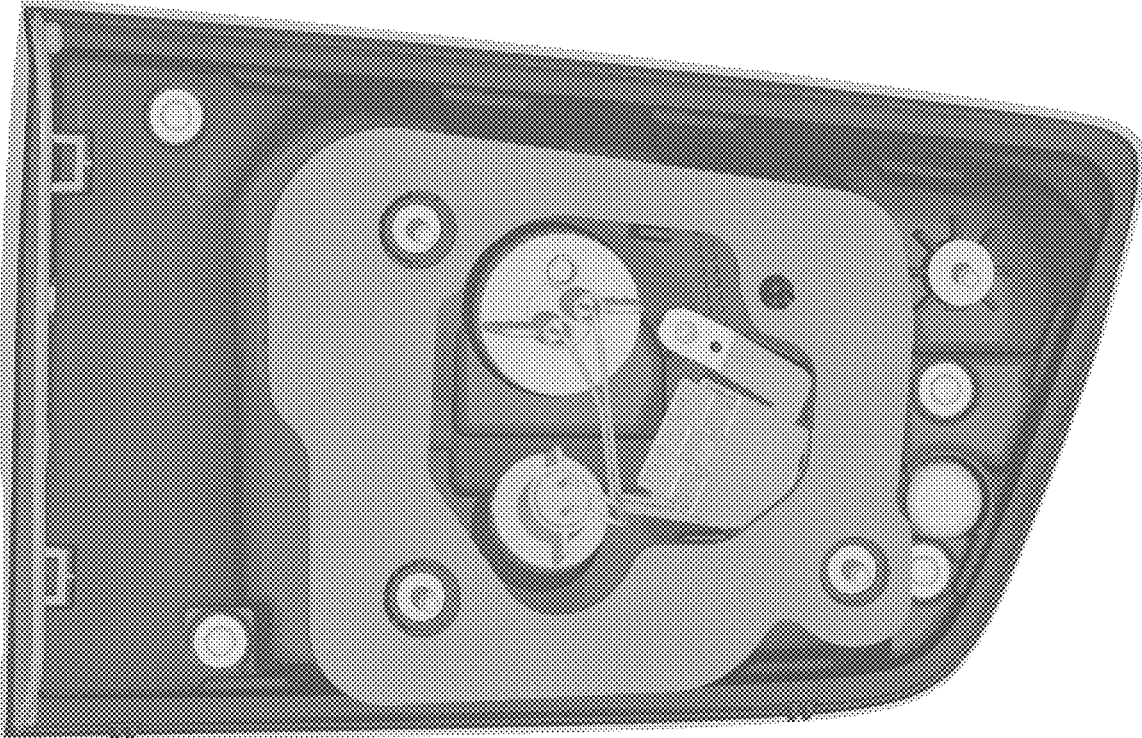
1.1



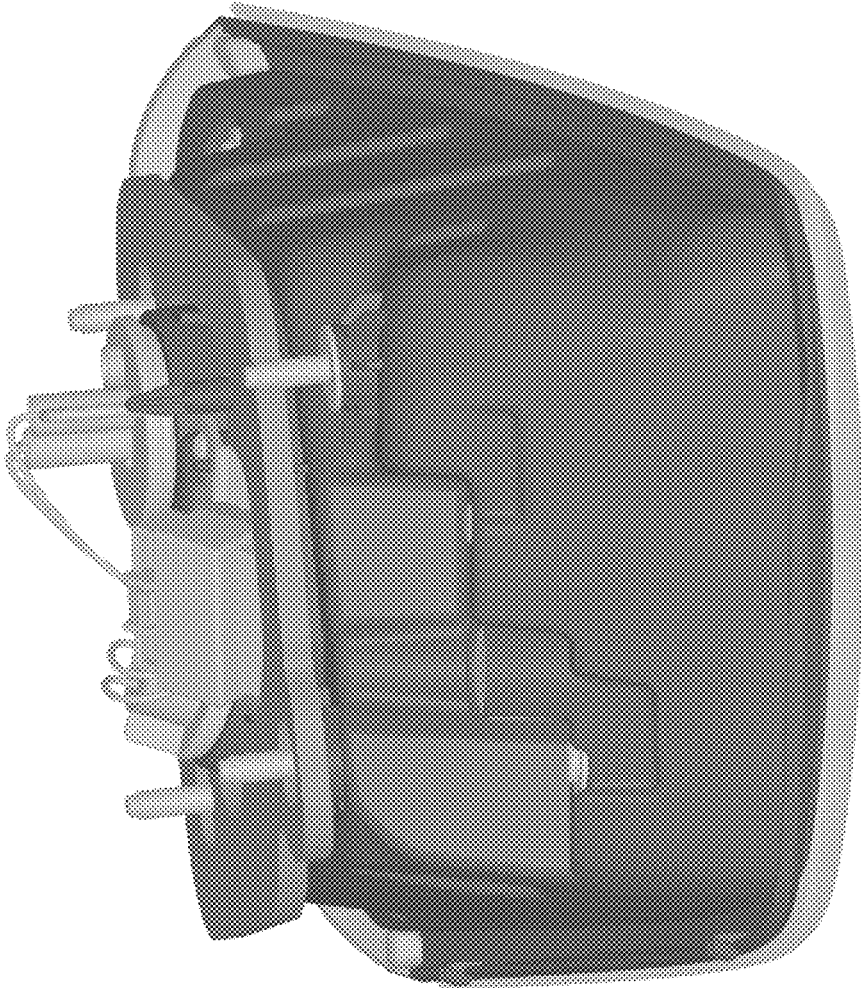
1.2



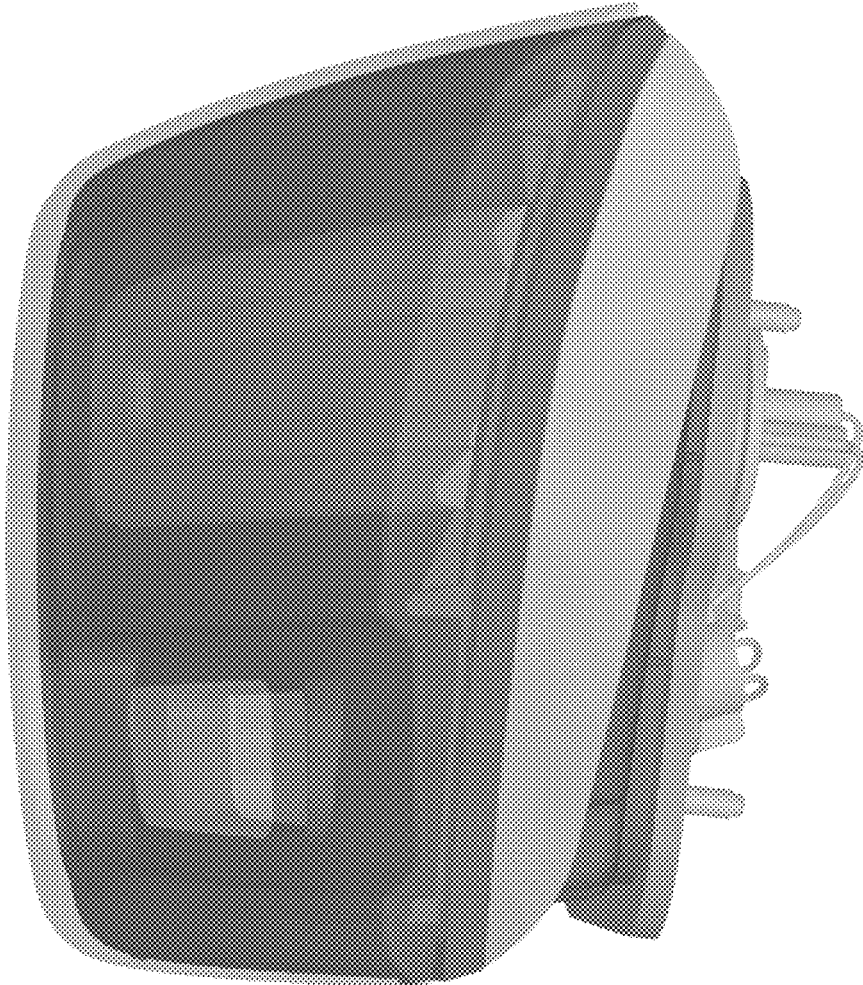
1.3



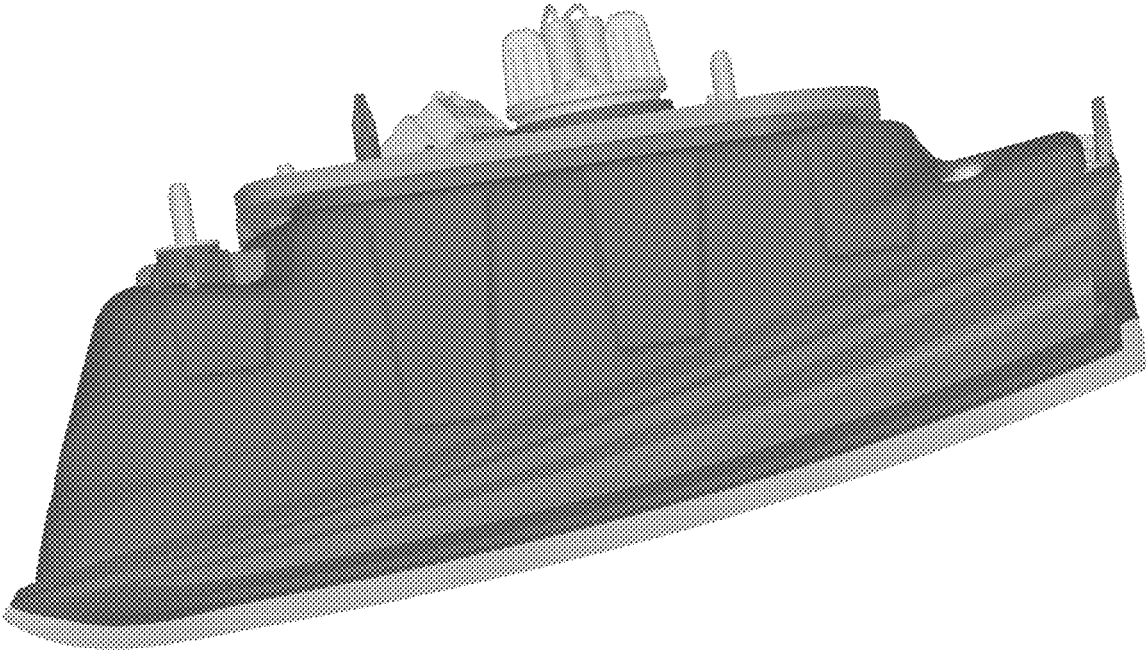
1.4



1.5



1.6



1.7

