



US00D795409S

(12) **United States Design Patent**
Au

(10) **Patent No.:** **US D795,409 S**

(45) **Date of Patent:** **** Aug. 22, 2017**

(54) **DEODORIZER FOR FREEZER OR REFRIGERATOR**

(71) Applicant: **Alpha Home Group Limited,**
Kowloon (HK)

(72) Inventor: **Wing Hang Au,** Kowloon (HK)

(73) Assignee: **Alpha Home Group Limited,**
Kowloon (HK)

(**) Term: **15 Years**

(21) Appl. No.: **29/564,475**

(22) Filed: **May 13, 2016**

(51) **LOC (10) Cl.** **23-04**

(52) **U.S. Cl.**
USPC **D23/366; D21/623; D21/621**

(58) **Field of Classification Search**
USPC D23/366, 367; D21/621, 623, 639, 642,
D21/645, 648, 649; D1/104, 108;
D6/614; D9/616, 621; D11/21, 150,
D11/136; D26/14; D28/5, 6
CPC A63H 3/24; A61L 2/00; A61L 2202/23
See application file for complete search history.

(56) **References Cited**

U.S. PATENT DOCUMENTS

D248,582 S *	7/1978	Tapdrup	D21/623
D274,219 S *	6/1984	Fieldhouse	D21/649
D291,585 S *	8/1987	Bertrand	D21/623
D362,879 S *	10/1995	Jensen	D21/621
D448,515 S *	9/2001	Schl	D26/99
D494,643 S *	8/2004	Bresciani	D21/623
D499,355 S *	12/2004	Yang	D11/121
D503,125 S *	3/2005	Federic	D11/121
D542,702 S *	5/2007	Harper	D11/124

D542,703 S *	5/2007	Reibson	D11/128
D543,420 S *	5/2007	Waymire	D7/670
D555,437 S *	11/2007	Risch	D1/104
D576,225 S *	9/2008	Auberger	D21/645
D581,994 S *	12/2008	Wilk	D21/578
D595,365 S *	6/2009	Wilk	D21/621
D616,761 S *	6/2010	Seys	D21/639
D657,559 S *	4/2012	Thai	D3/271.2
D665,488 S *	8/2012	Browder	D23/367
D665,489 S *	8/2012	Browder	D23/367
D693,914 S *	11/2013	Browder	D23/367
D739,255 S *	9/2015	Seys	D21/623
D772,354 S *	11/2016	Guo	D21/645

* cited by examiner

Primary Examiner — Caron D Veynar

Assistant Examiner — Mehri Bajoul

(74) *Attorney, Agent, or Firm* — Maier & Maier, PLLC

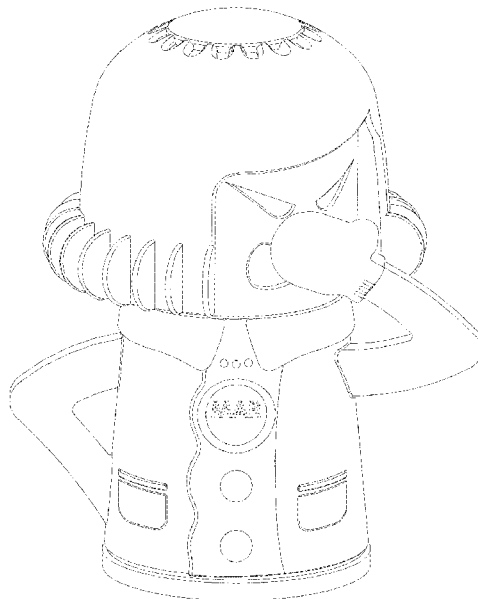
(57) **CLAIM**

The ornamental design for a deodorizer for freezer or refrigerator, as shown and described.

DESCRIPTION

FIG. 1 is a front perspective view of a deodorizer for freezer or refrigerator, showing my design;
FIG. 2 is a rear perspective view thereof;
FIG. 3 is a front elevational view thereof;
FIG. 4 is a rear elevational view thereof;
FIG. 5 is a right side elevational view thereof;
FIG. 6 is a left side elevational view thereof;
FIG. 7 is a top plan view thereof; and,
FIG. 8 is a bottom plan view thereof.
The broken line showing in the Figures illustrates portions of the deodorizer for freezer or refrigerator and forms no part of the claimed design.

1 Claim, 7 Drawing Sheets



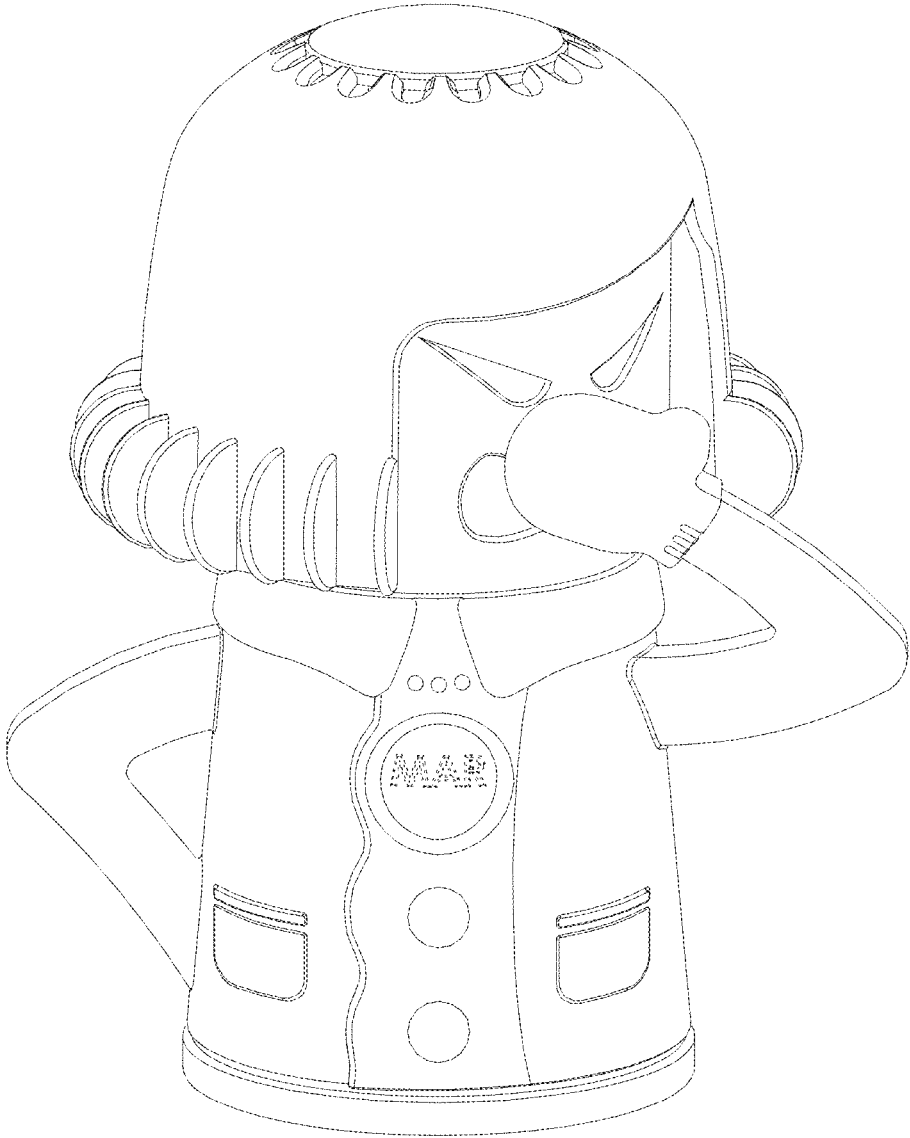


Fig. 1

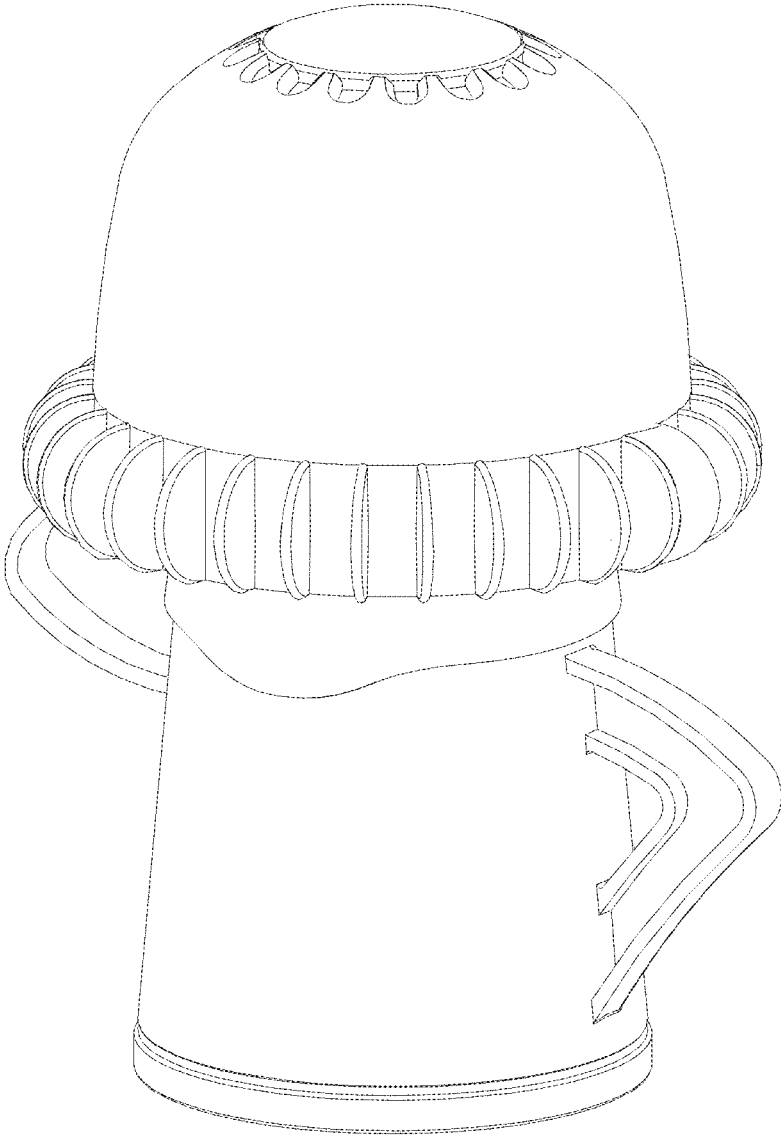


Fig. 2

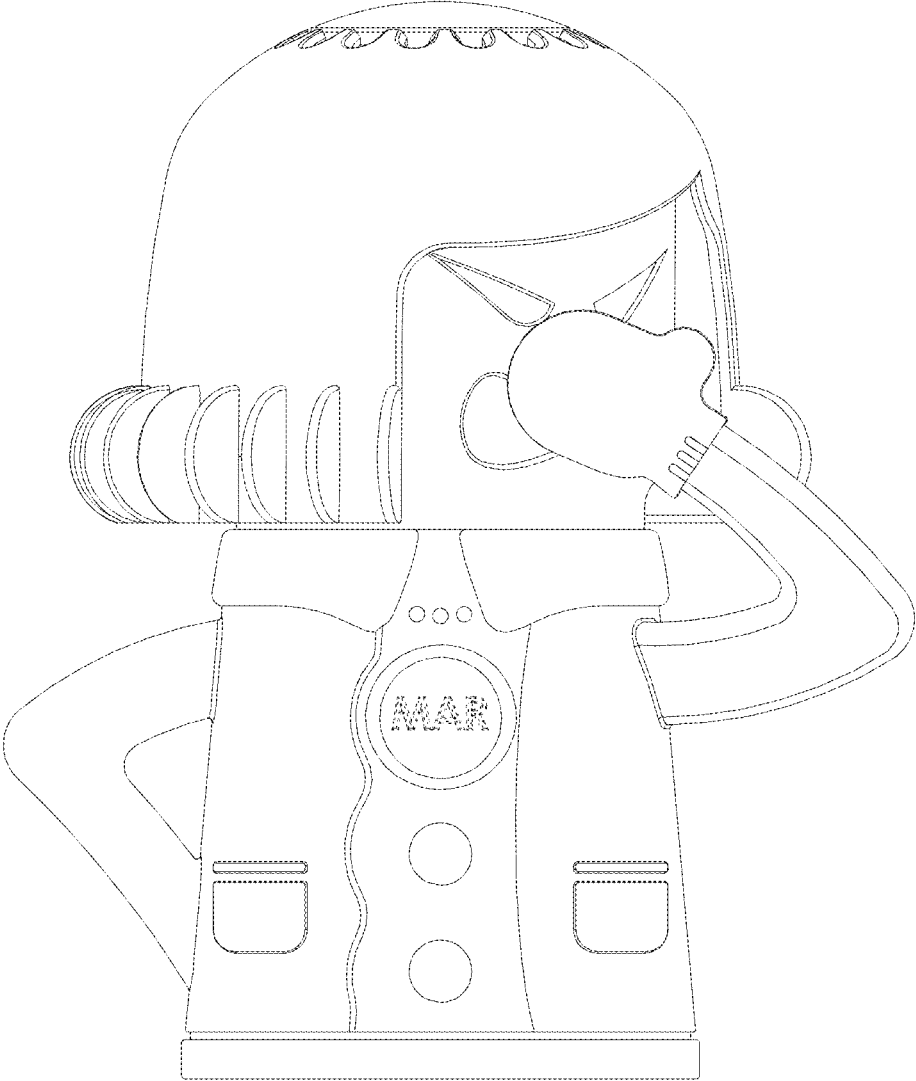


Fig. 3

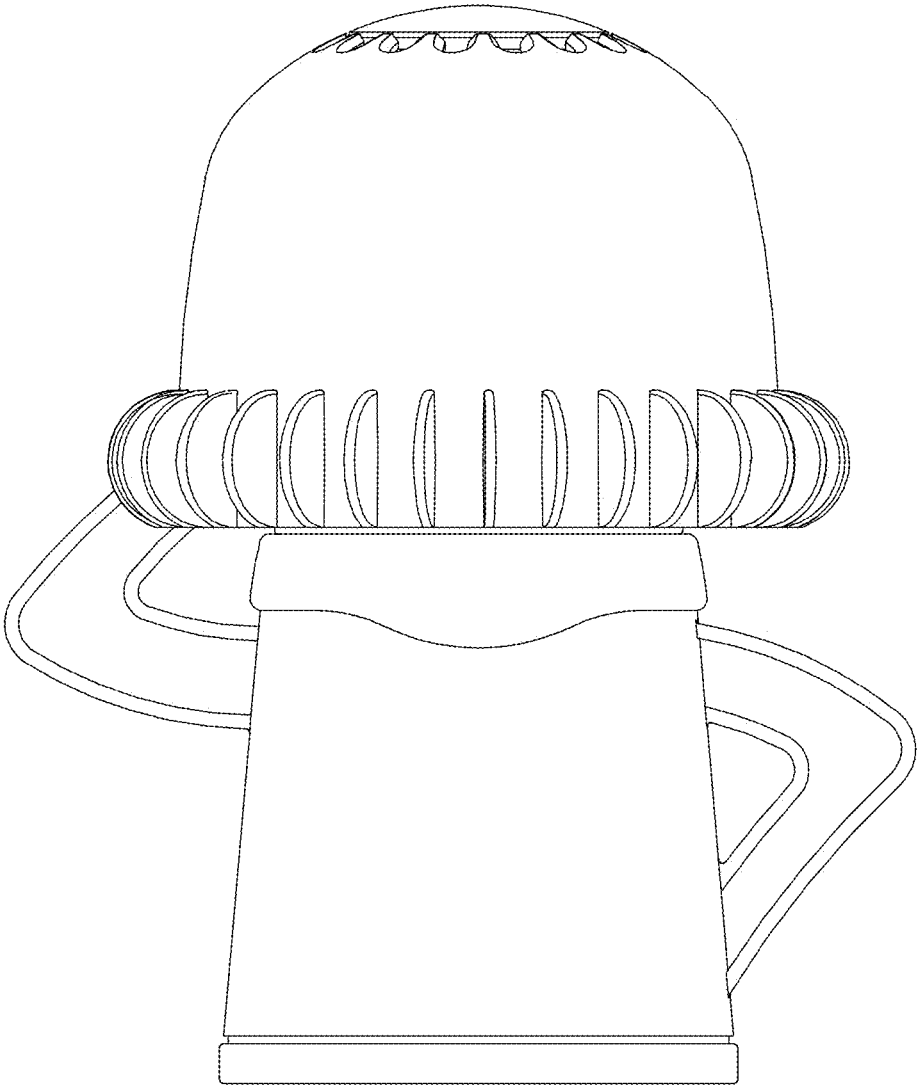


Fig. 4

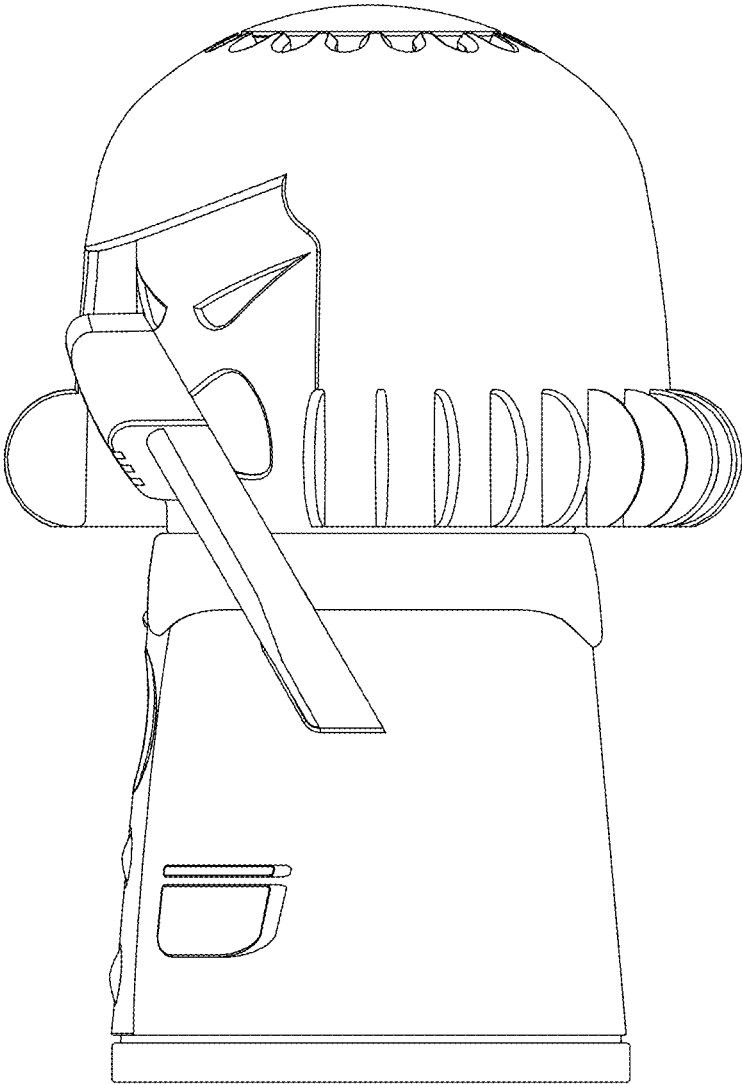


Fig. 5

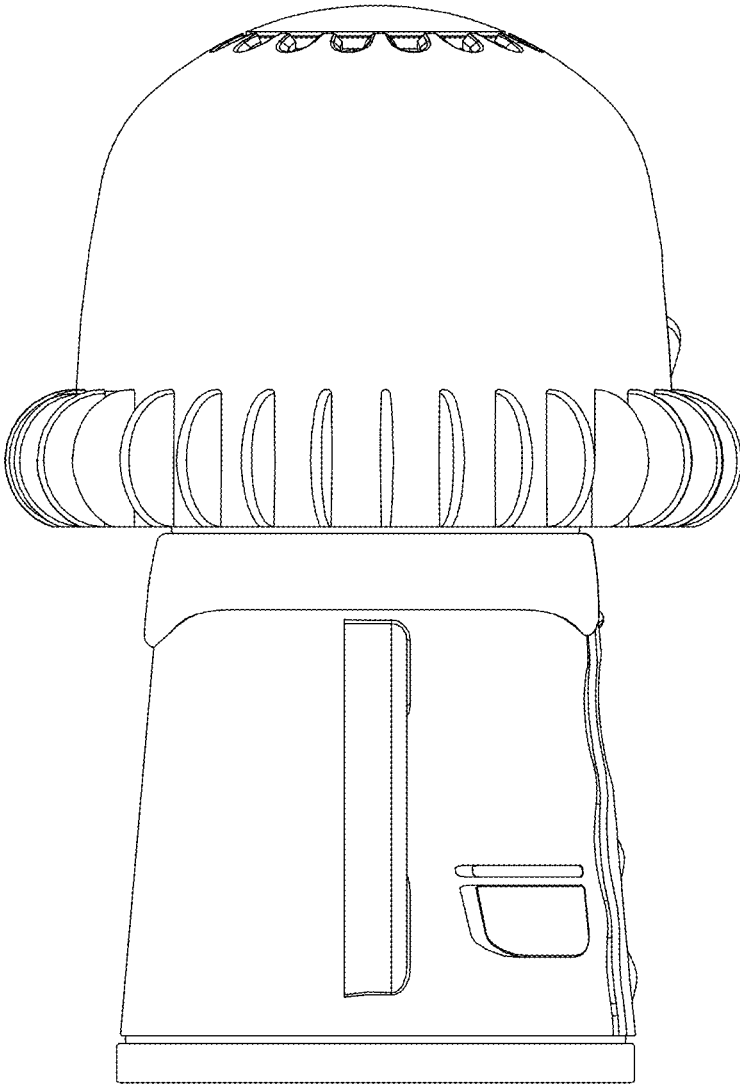


Fig. 6

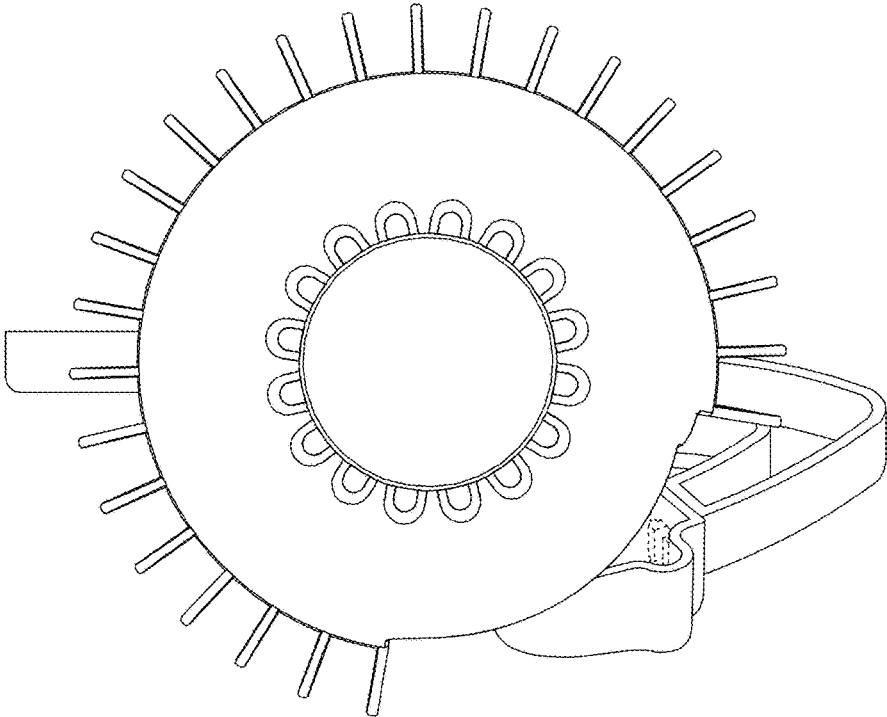


Fig. 7

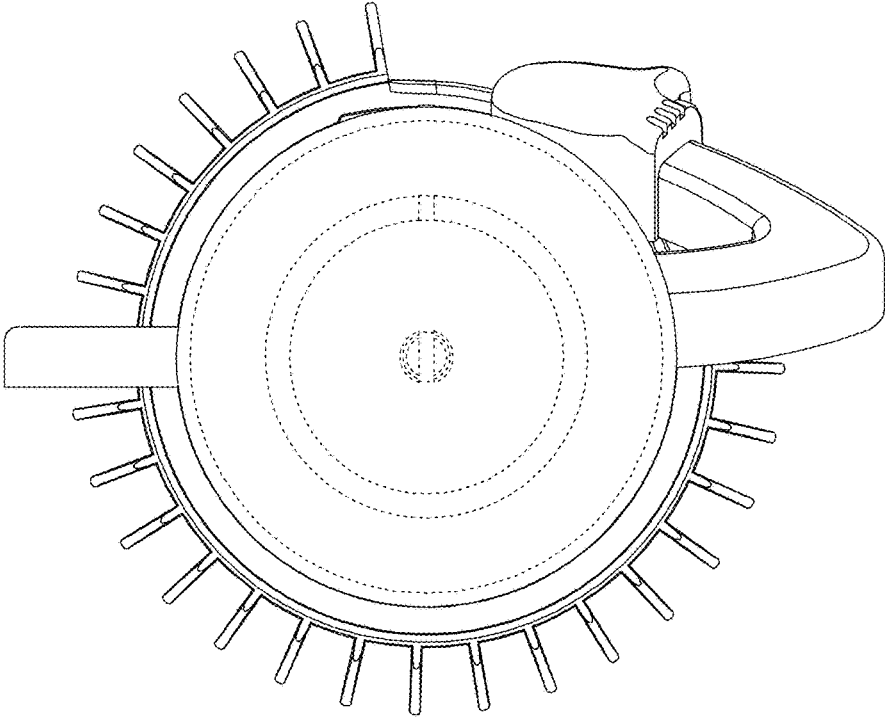


Fig. 8